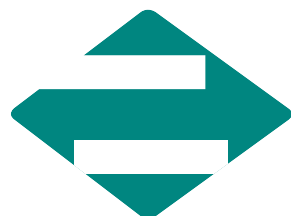


# NuKlip

## Shop Front

## Technical Catalogue



**almin**

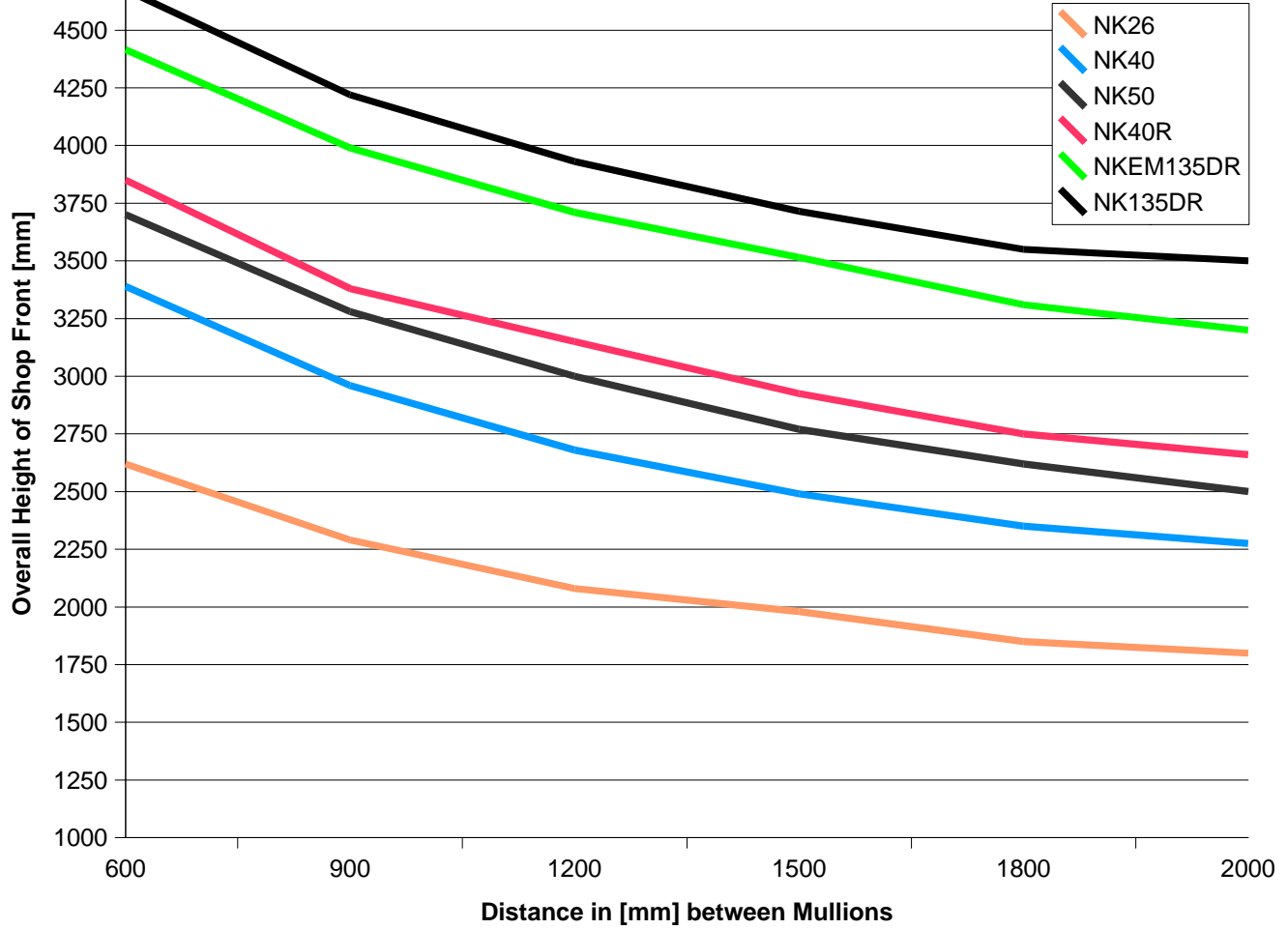
almin metal industries limited

ALMIN PARK  
Corner Willowvale & Dagenham Roads  
Willowvale, Harare  
P O Box ST394  
Southerton  
Harare  
Zimbabwe

Telephones : +263-4-620111/2/6/7/9  
Email : [tmungure@almin.co.zw](mailto:tmungure@almin.co.zw)  
: [tmanjeya@almin.co.zw](mailto:tmanjeya@almin.co.zw)  
: [customerservice@almin.co.zw](mailto:customerservice@almin.co.zw)  
Website : [www.almin.co.zw](http://www.almin.co.zw)



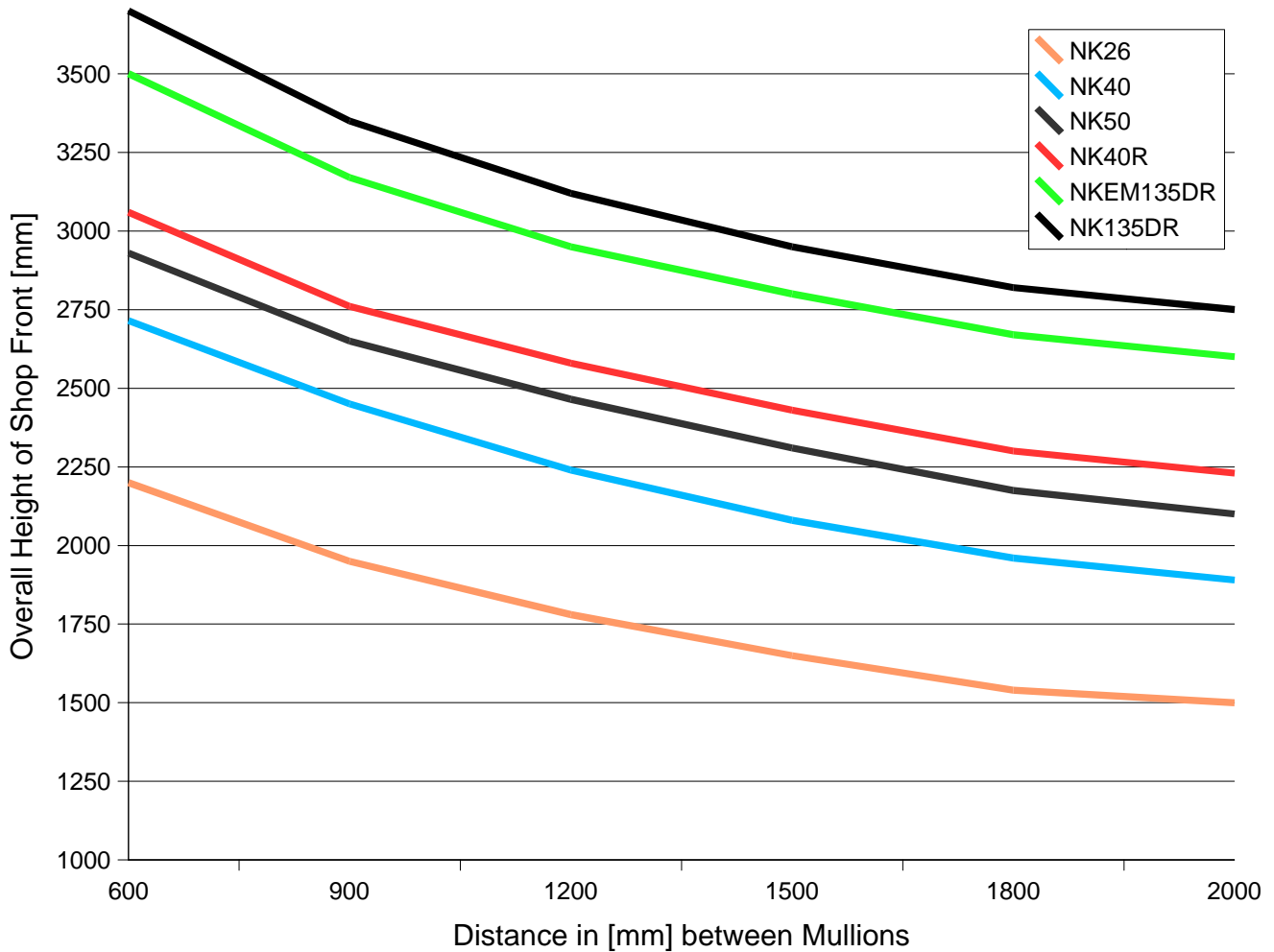
**NuKlip Shop Front Mullion  
SIZE LIMITATION CHART at 740Pa  
(Single Layer Glazing)**



*Deflection Limit : Height/175 or 20mm, whichever is less.*

\* Almin Metal Industries Ltd do not accept any liability for the use of this chart.  
If in doubt, we provide provide the Engineering Advise free of charge to assist with these issues.

## NuKlip Shop Front Mullion SIZE LIMITATION CHART at 740Pa (For Double Glazing)



*Deflection Limit : Height/300 or 8mm, whichever is less.*

**NOTE!**

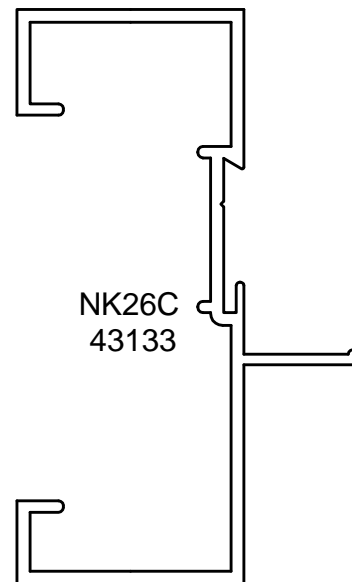
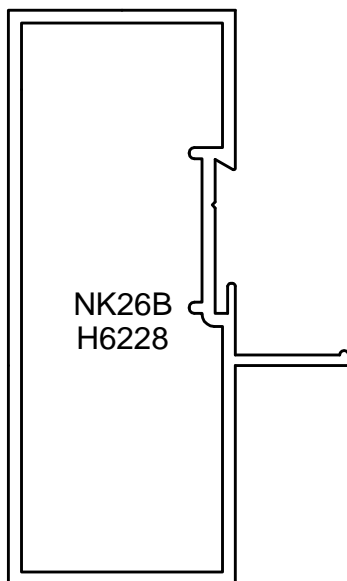
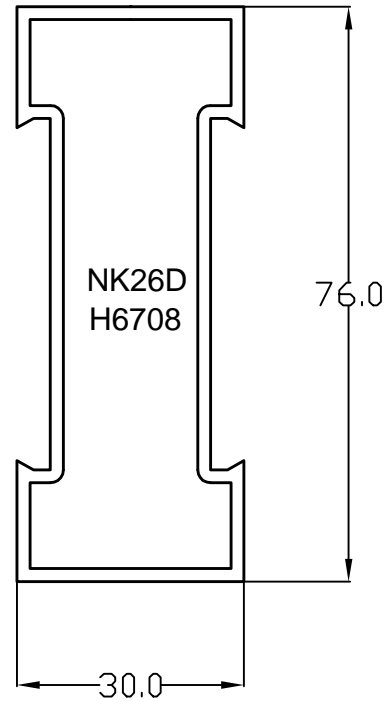
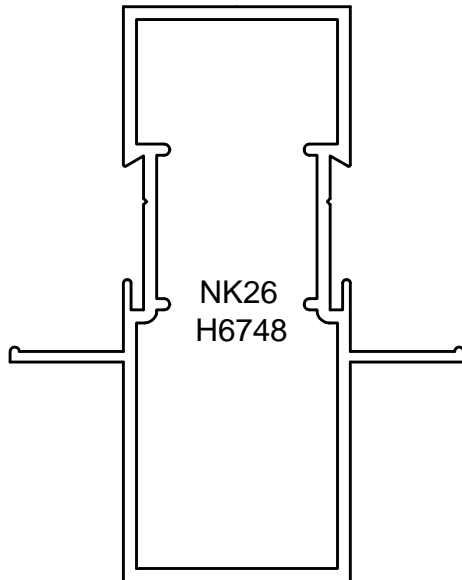
For Double Glazing on Shop Fronts & Doors use NKBD19 and NKBD23 glazing beads.

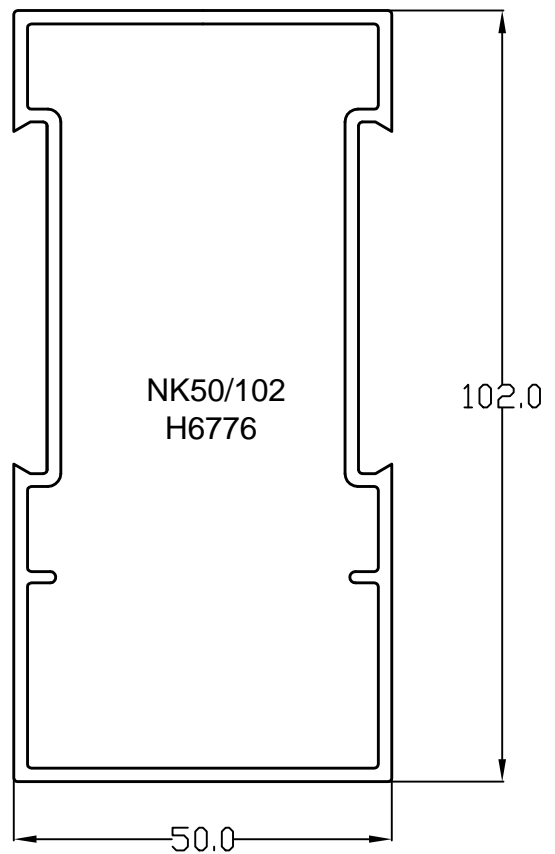
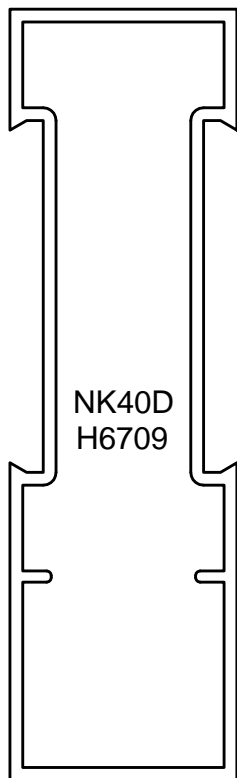
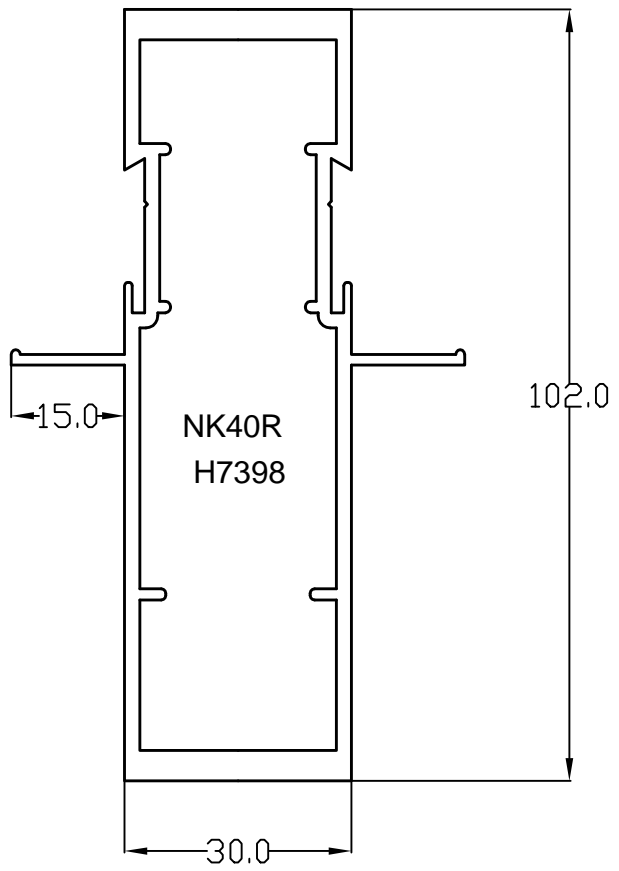
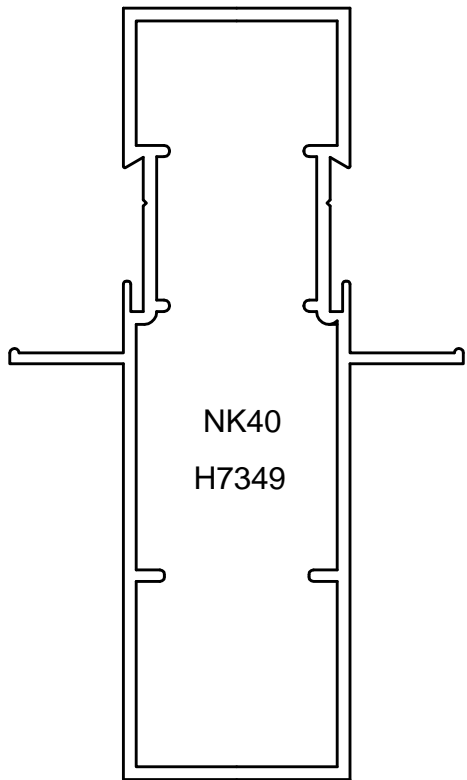
Generally, use Door Sections : NKR4 and NKR7 as Transoms to carry the weight of Double Glazing Units.

It is the responsibility of the fabricator to ensure that the Transom-to-Mullion connections can carry the weight.

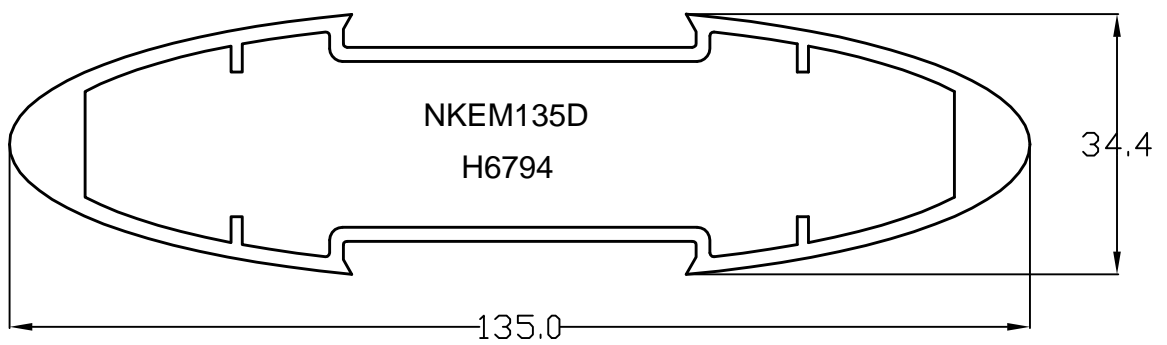
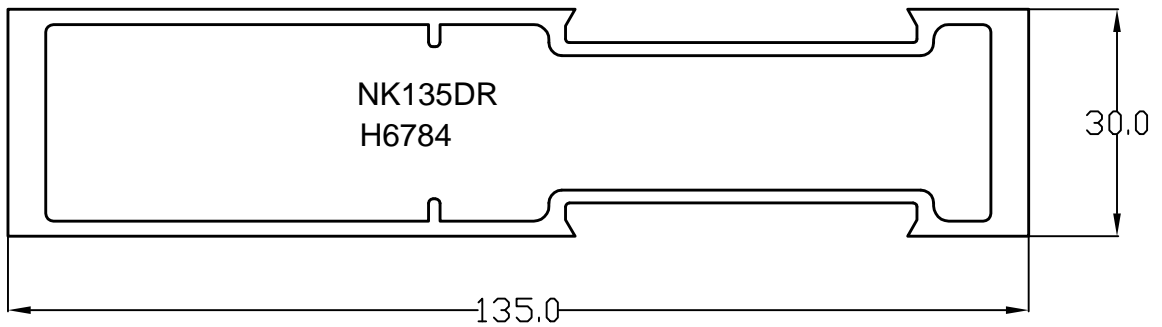
\* Almin Metal Industries Ltd do not accept any liability for the use of this chart.

If in doubt, we provide provide the Engineering Advise free of charge to assist with these issues.



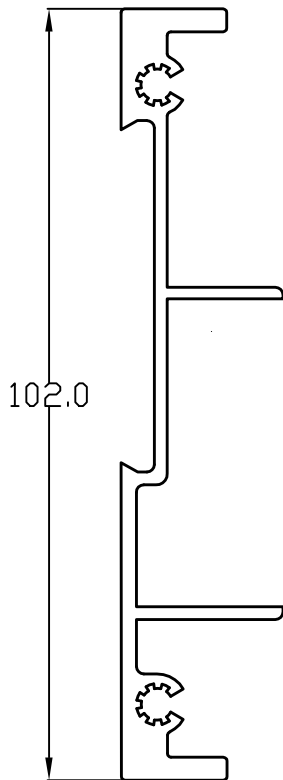


SHOPFRONT MULLIONS & TRANSOMS



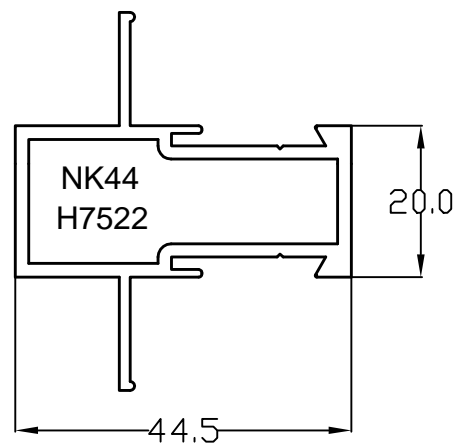
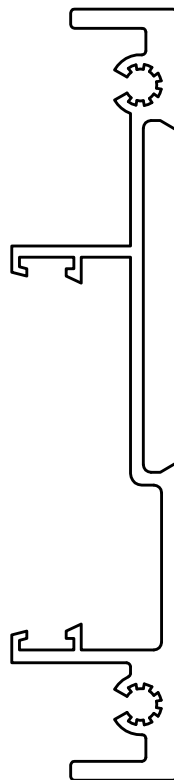
NK40DR EL FEMALE

43604



NK40DR EL MALE

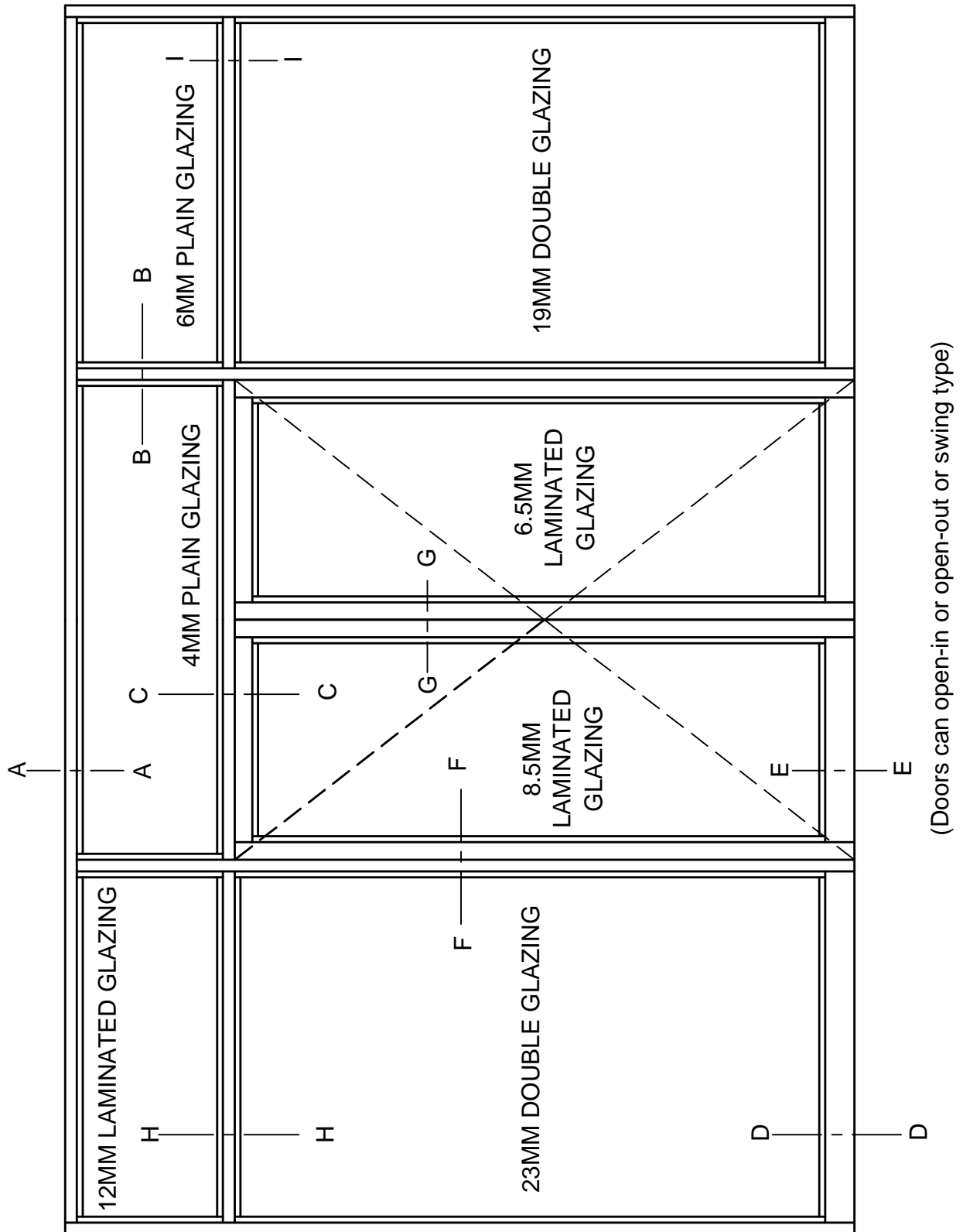
436043



(FOR COTTAGE PANES)

(FOR MODULAR INSTALLATION  
OF SHOPFRONTS)

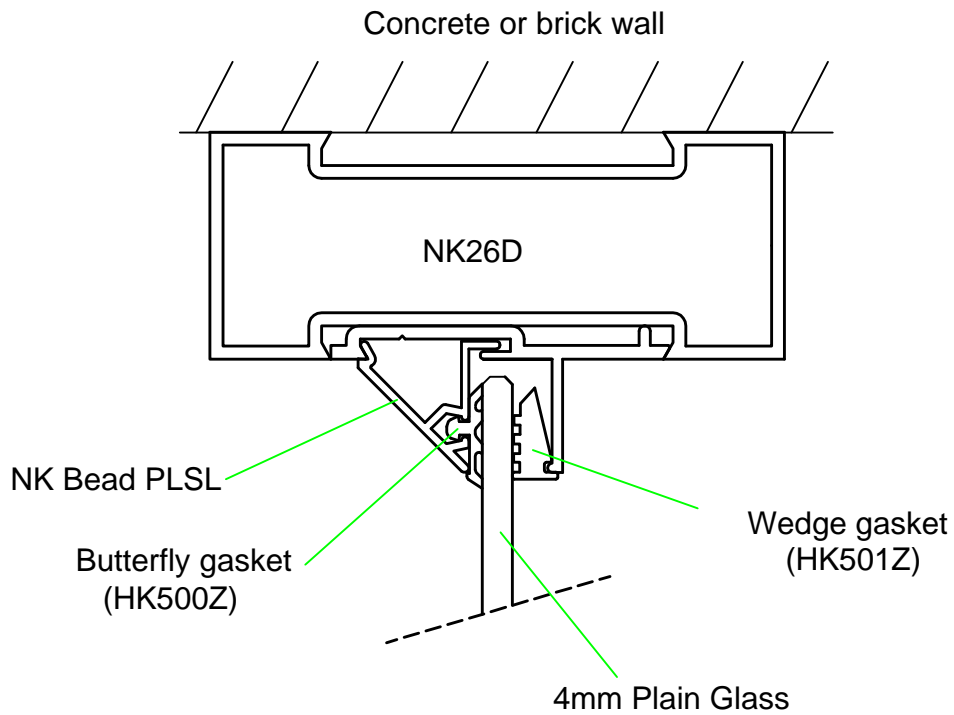
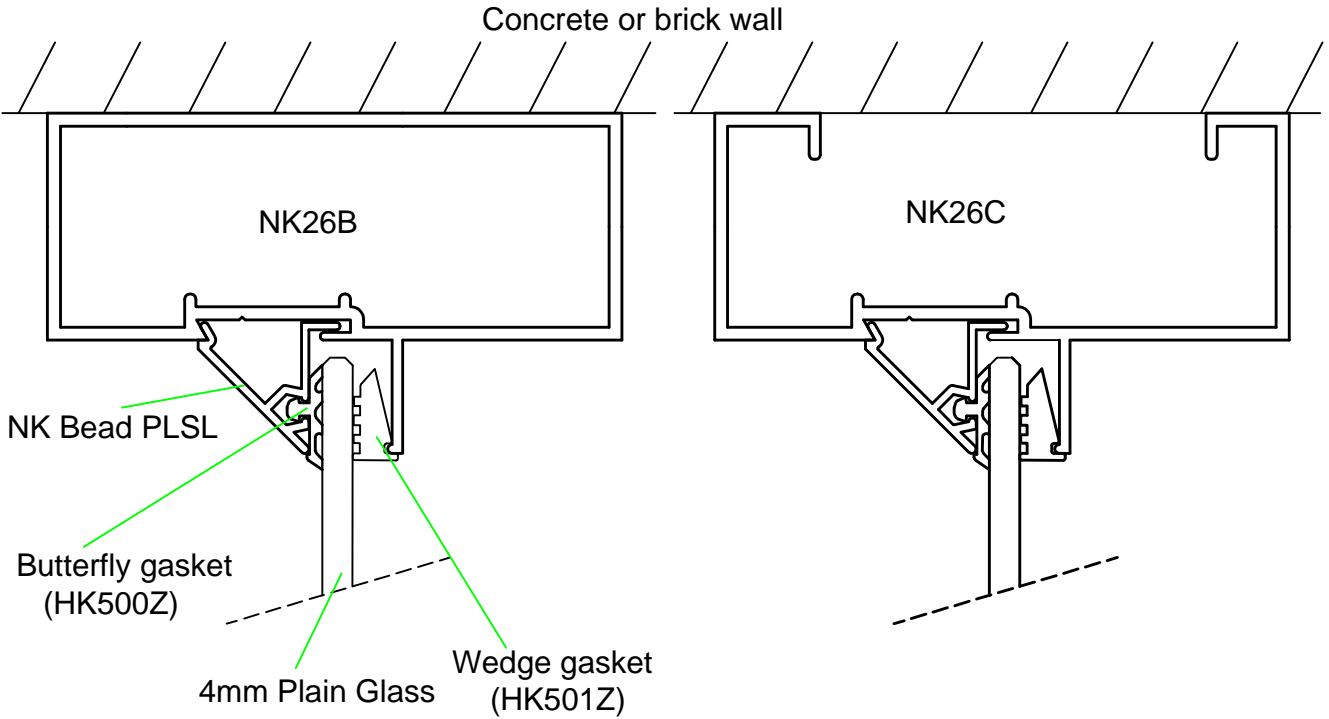
SHOPFRONT MULLIONS & TRANSOMS



Typical Shopfront with varying Glass Thickness to illustrate the capabilities of the NuKlip System



## SECTION A - A

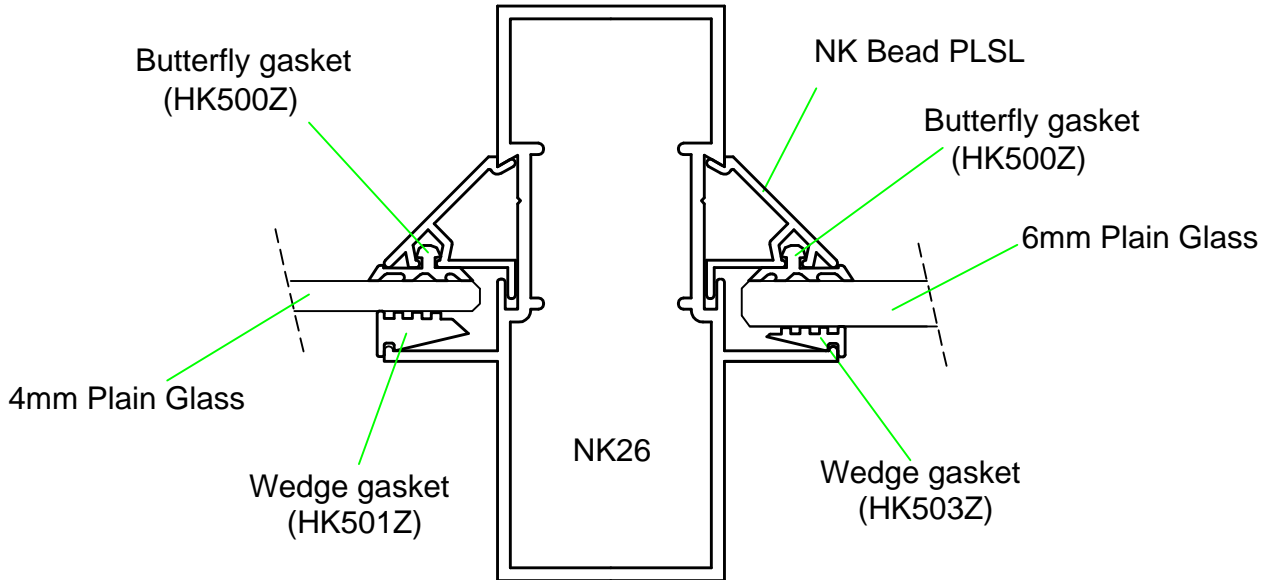


TYPICAL SHOPFRONT TOP RAIL DETAILS SHOWING ALTERNATIVE SECTIONS





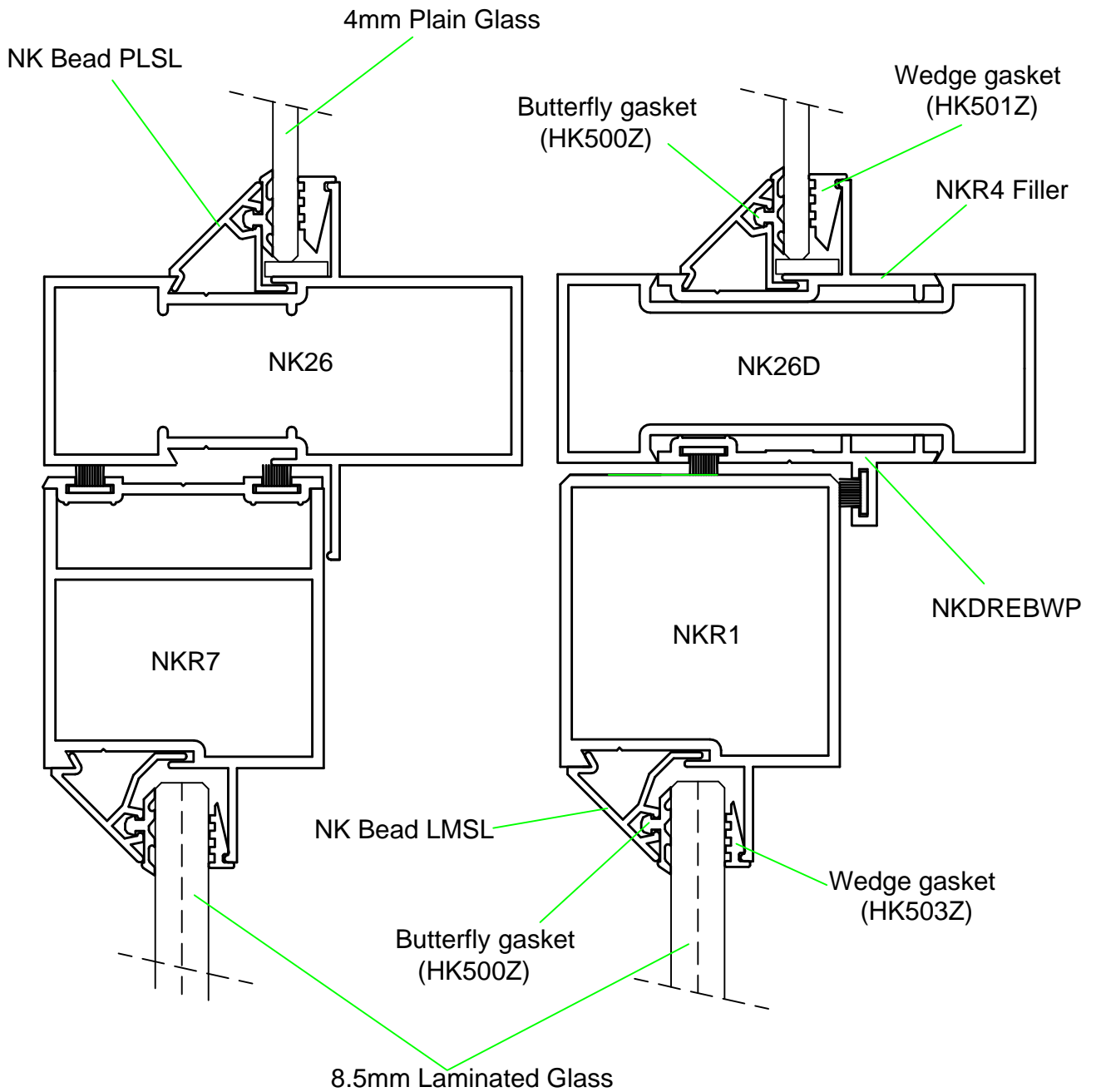
## SECTION B - B



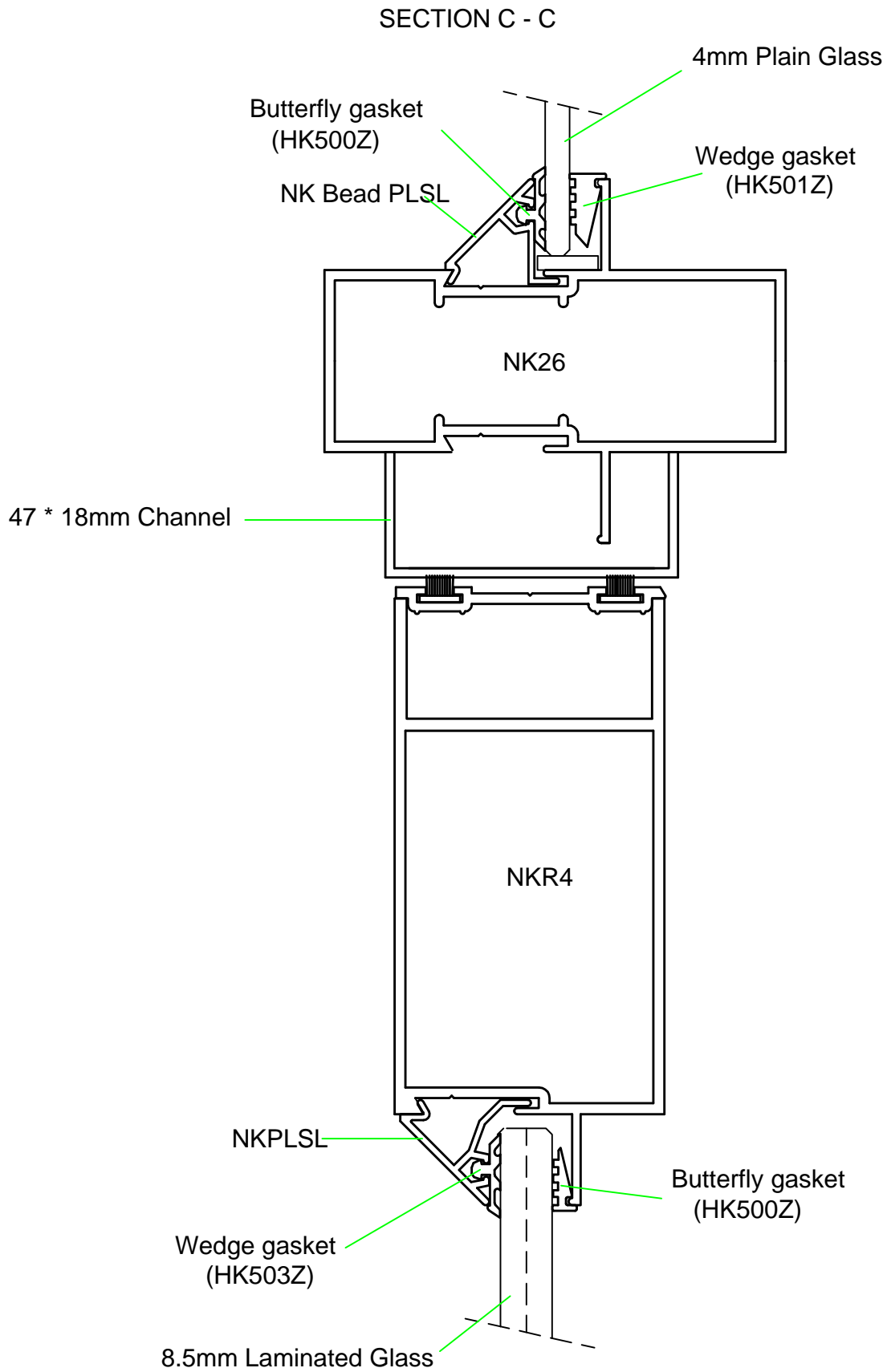
TYPICAL SHOPFRONT DETAILS SHOWING



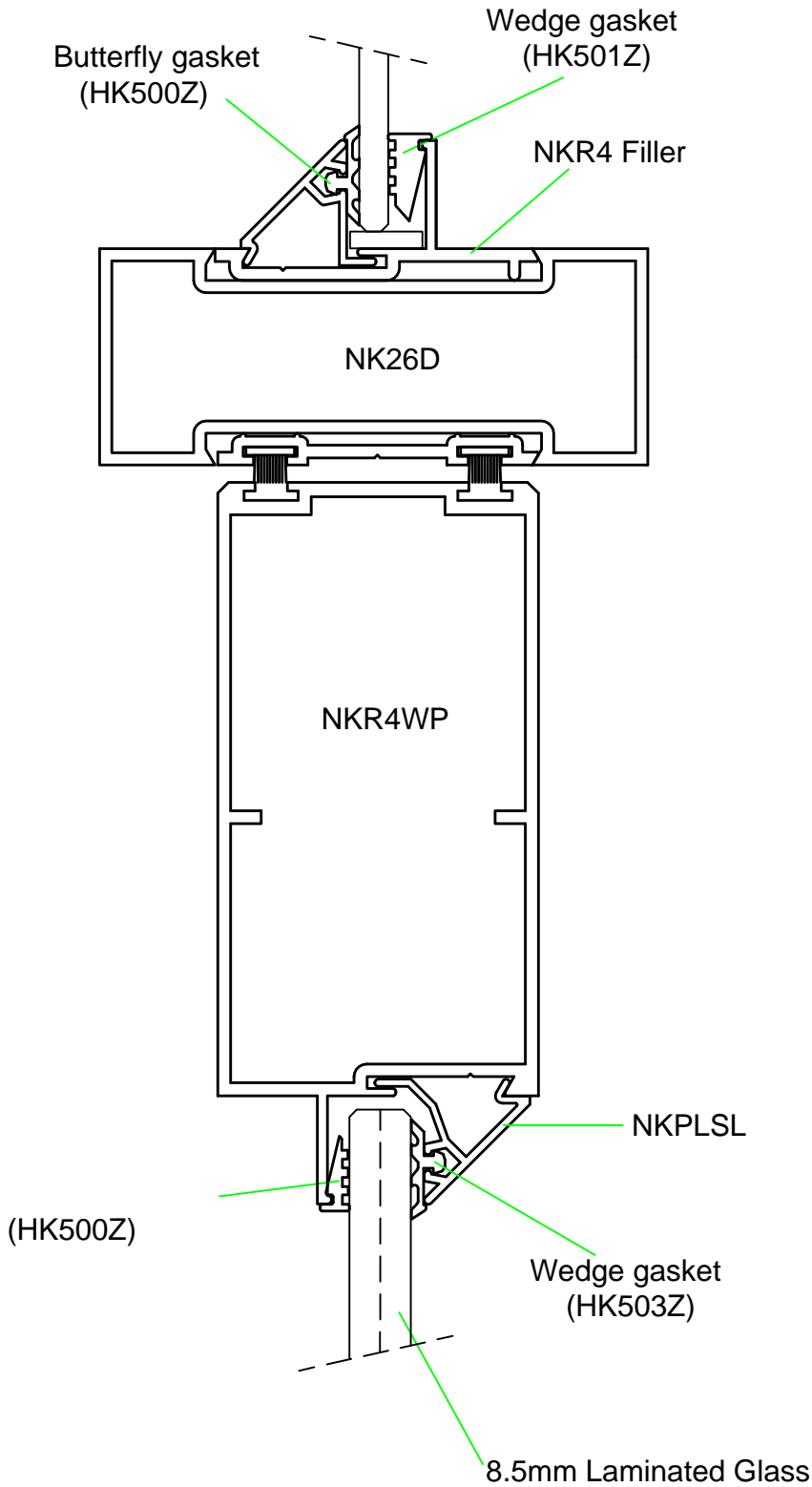
## SECTION C - C



TYPICAL SHOPFRONT DETAILS SHOWING  
ALTERNATIVE SECTIONS FOR HINGED DOORS



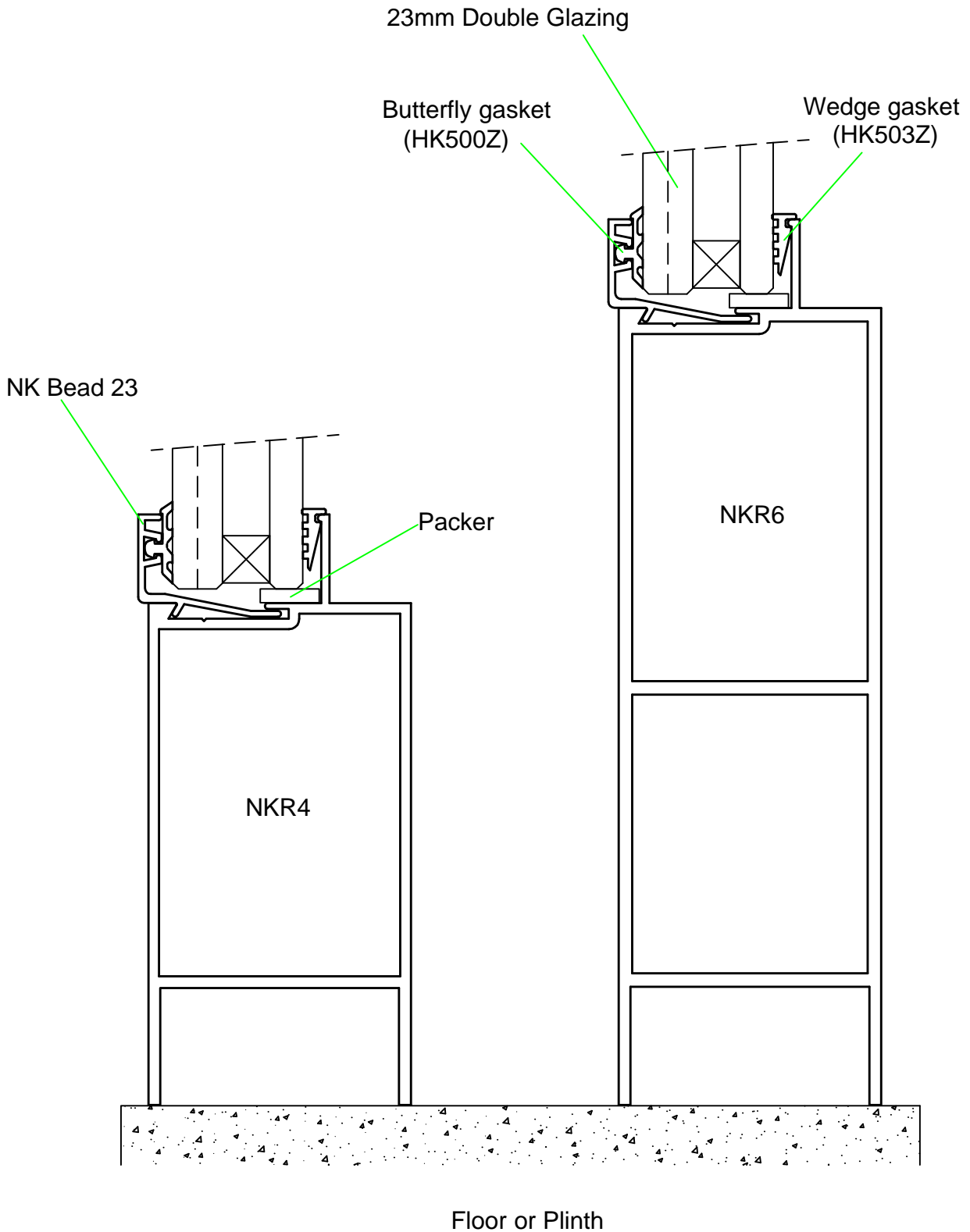
TYPICAL SHOPFRONT DETAILS SHOWING  
ALTERNATIVE SECTIONS FOR SWING DOORS ON FLOOR SPRINGS



TYPICAL SHOPFRONT DETAILS SHOWING  
ALTERNATIVE SECTIONS FOR SWING DOORS ON FLOOR SPRINGS



SECTION D - D

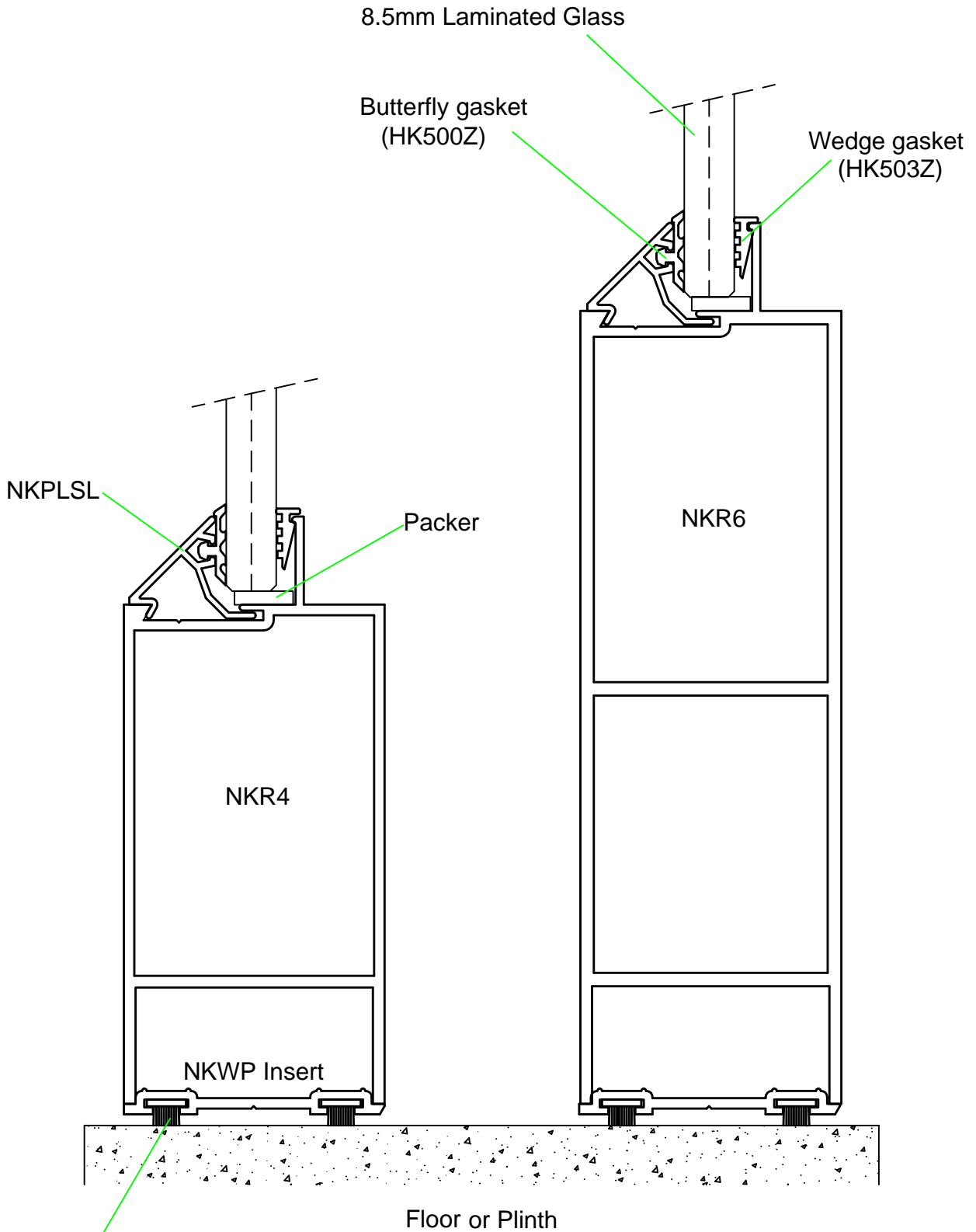


NB: Sealants are not shown

TYPICAL SHOPFRONT BOTTOM RAIL DETAILS SHOWING ALTERNATIVE SECTIONS



## SECTION E - E

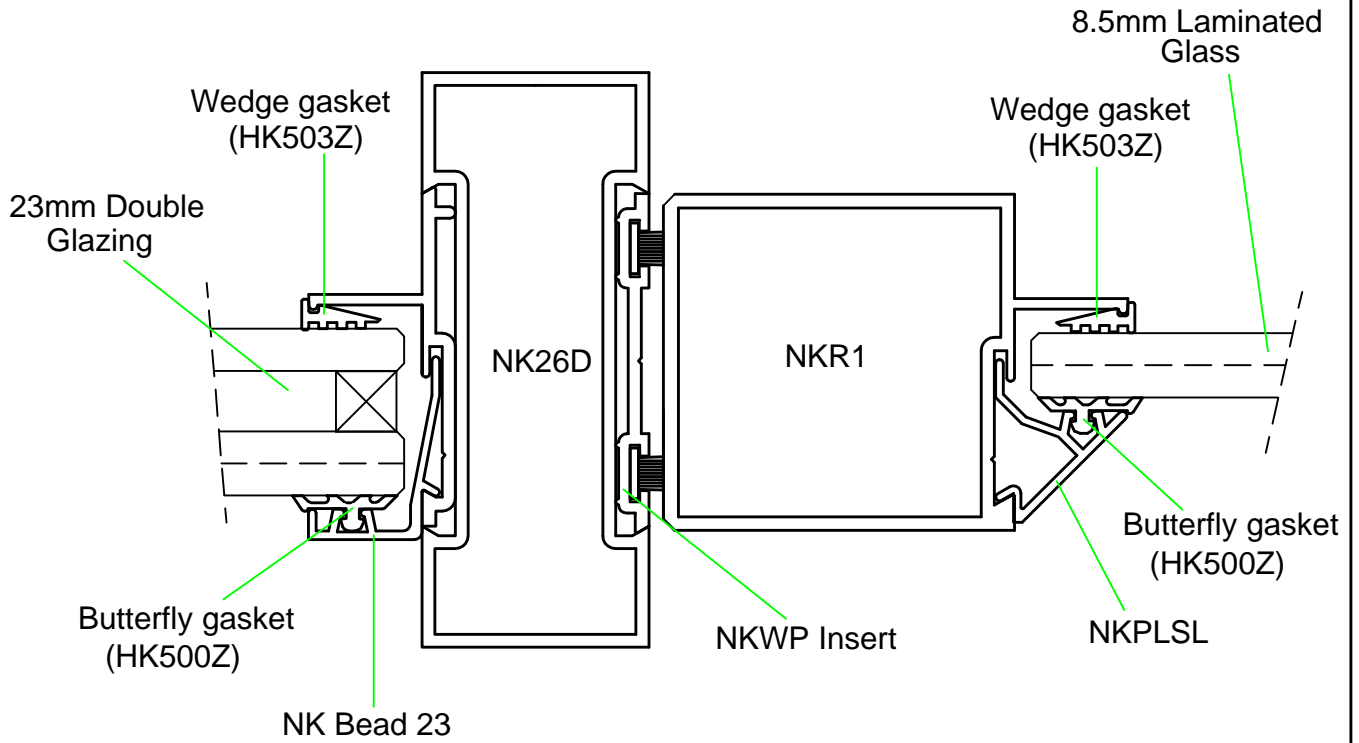


NOTE!  
Woolpile up to 12mm  
is available.

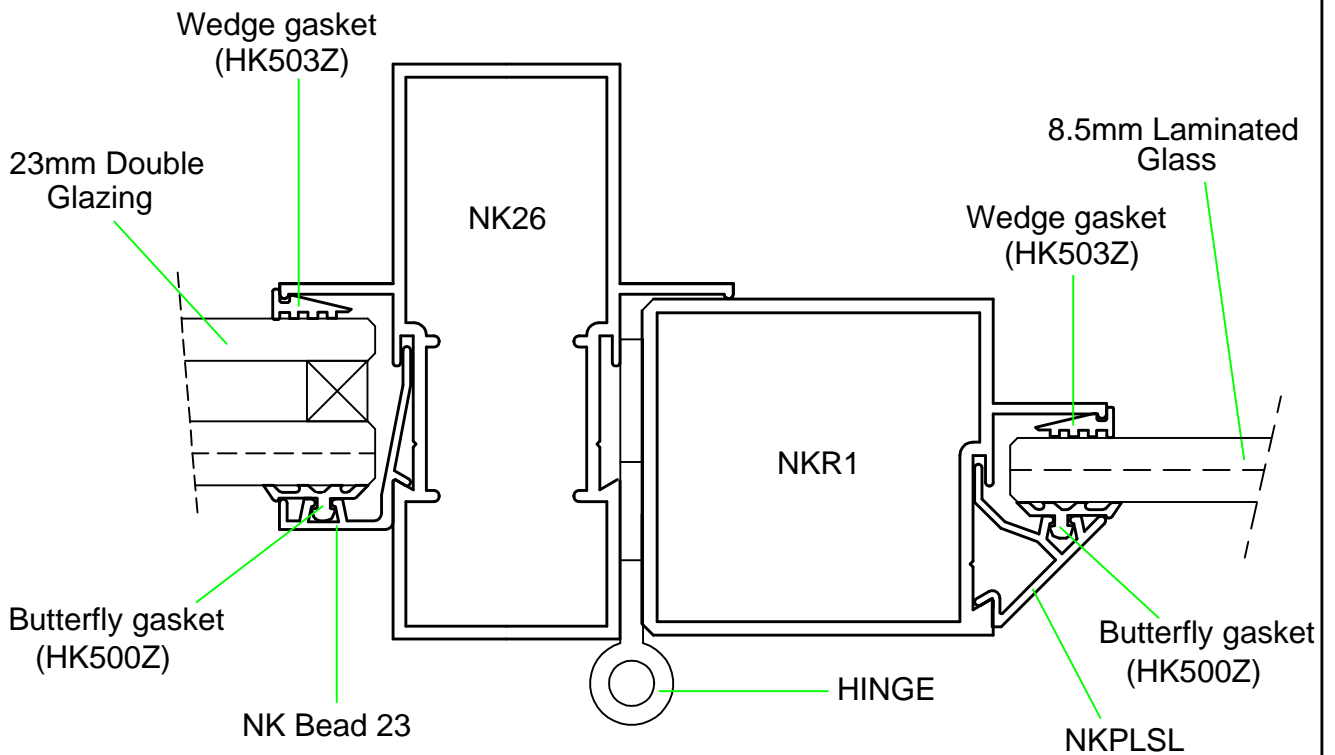
TYPICAL SHOPFRONT BOTTOM RAIL DETAILS SHOWING  
ALTERNATIVE SECTIONS



## SECTION F - F



## ALTERNATIVE SECTIONS FOR SWING DOORS



## ALTERNATIVE SECTIONS FOR HINGED DOORS

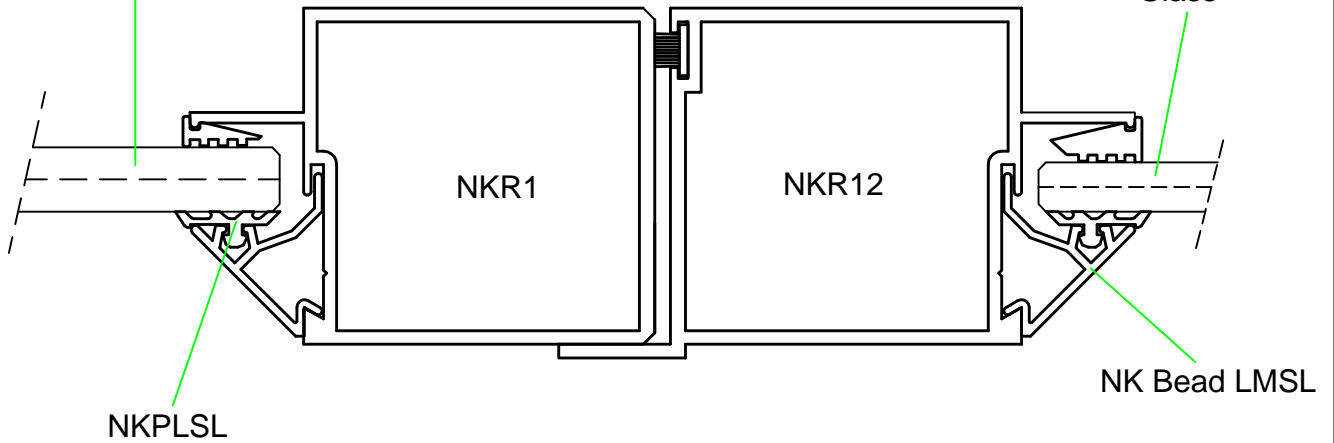
## TYPICAL SHOPFRONT DETAILS



## SECTION G - G

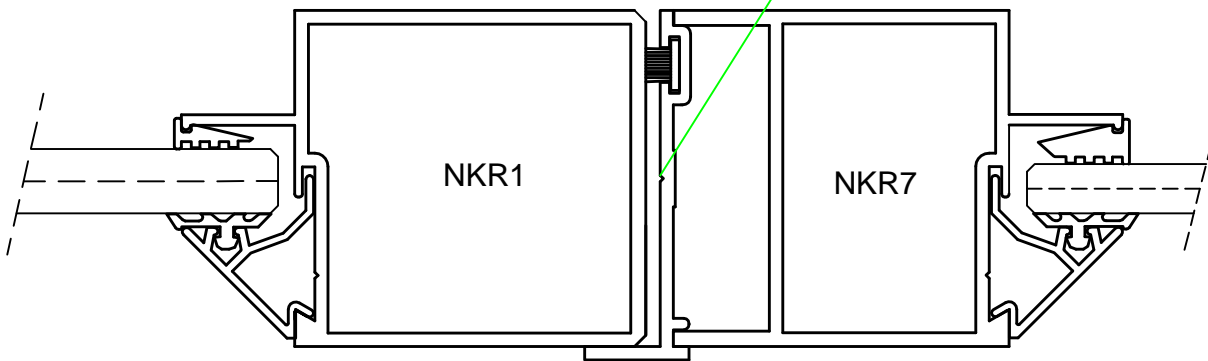
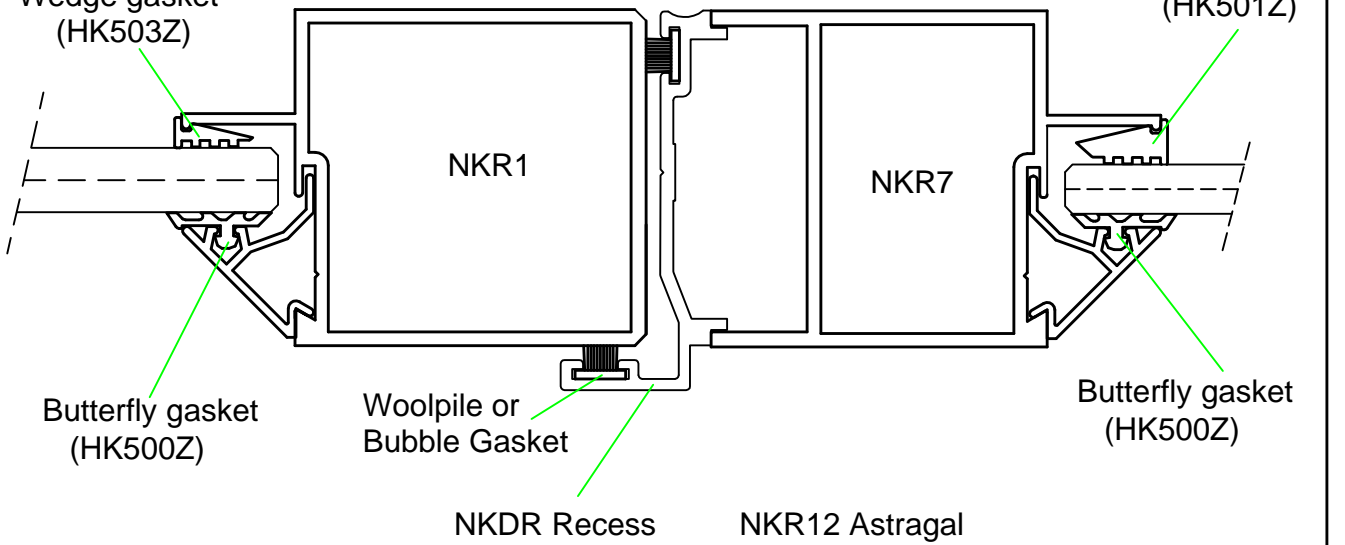
8.5mm Laminated Glass

6.5mm Laminated Glass



Wedge gasket (HK503Z)

Wedge gasket (HK501Z)

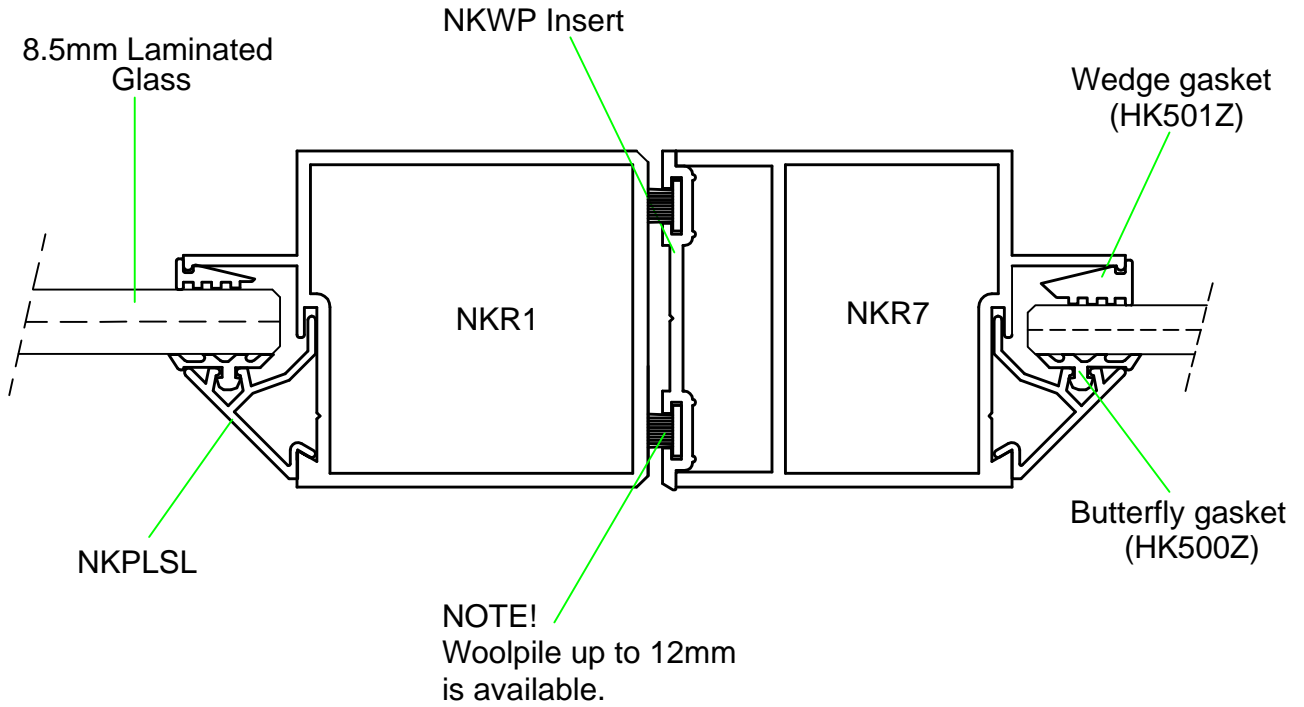


TYPICAL SHOPFRONT DETAILS



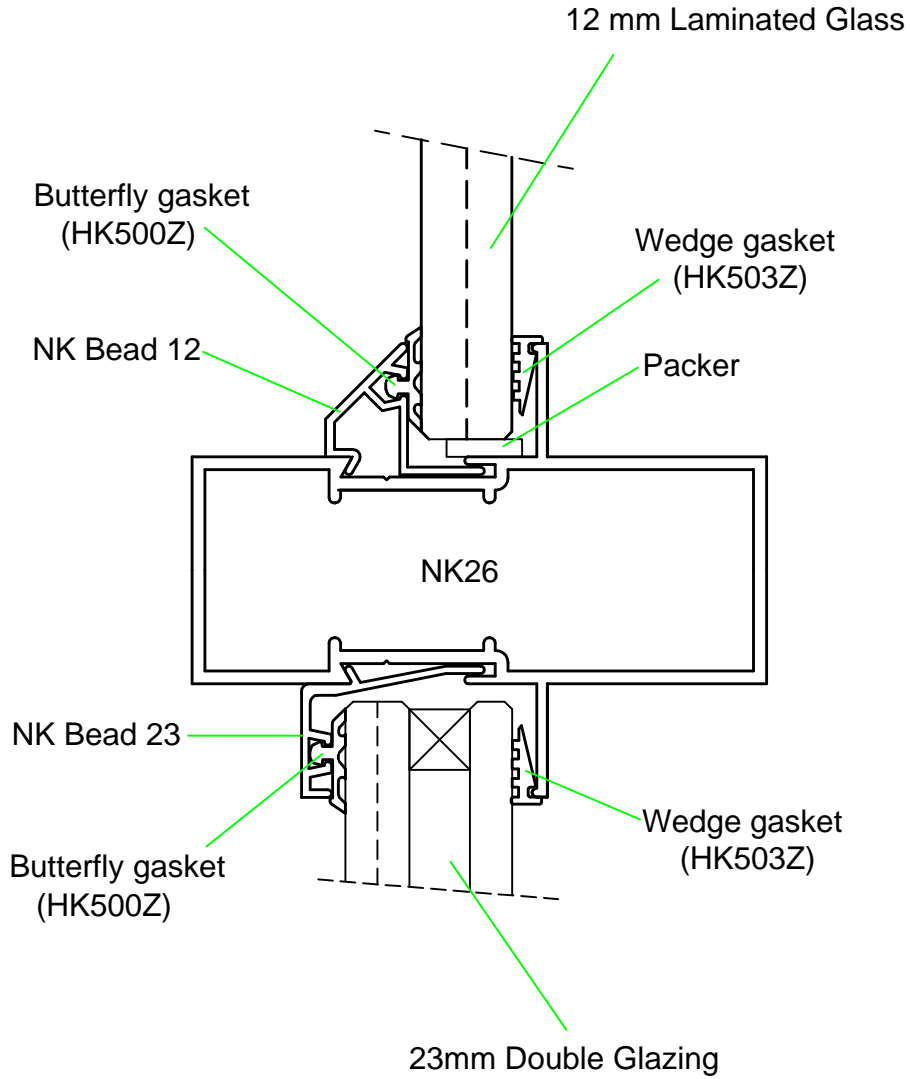


SECTION G - G



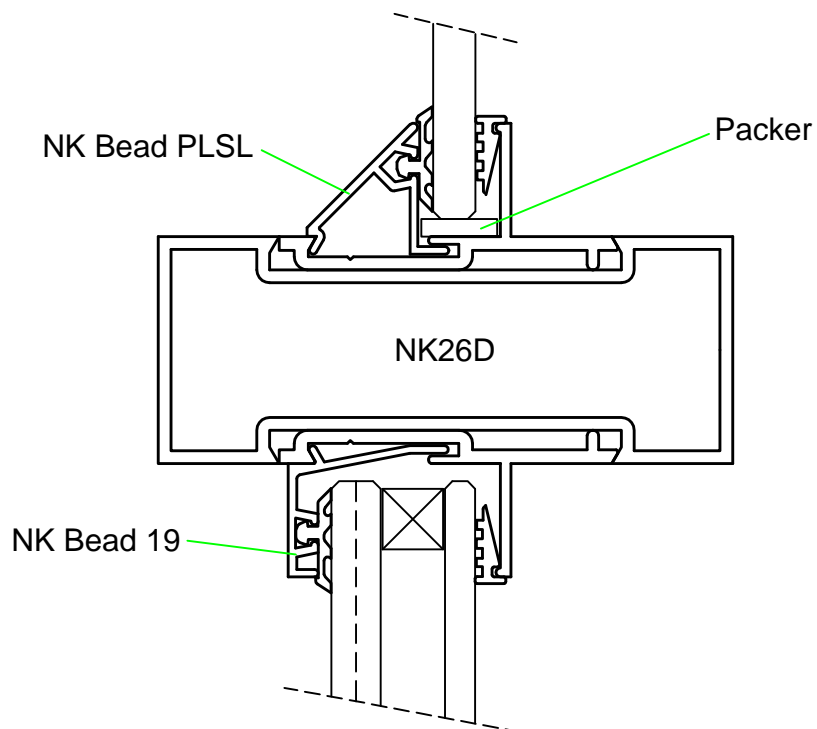
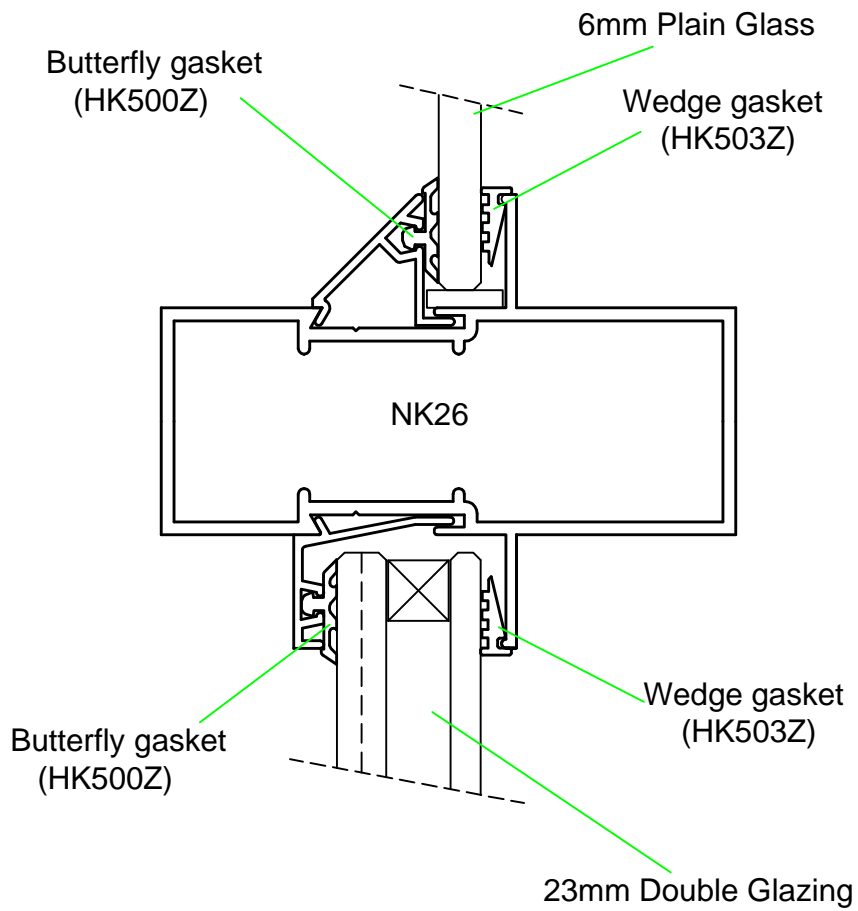


## SECTION H - H



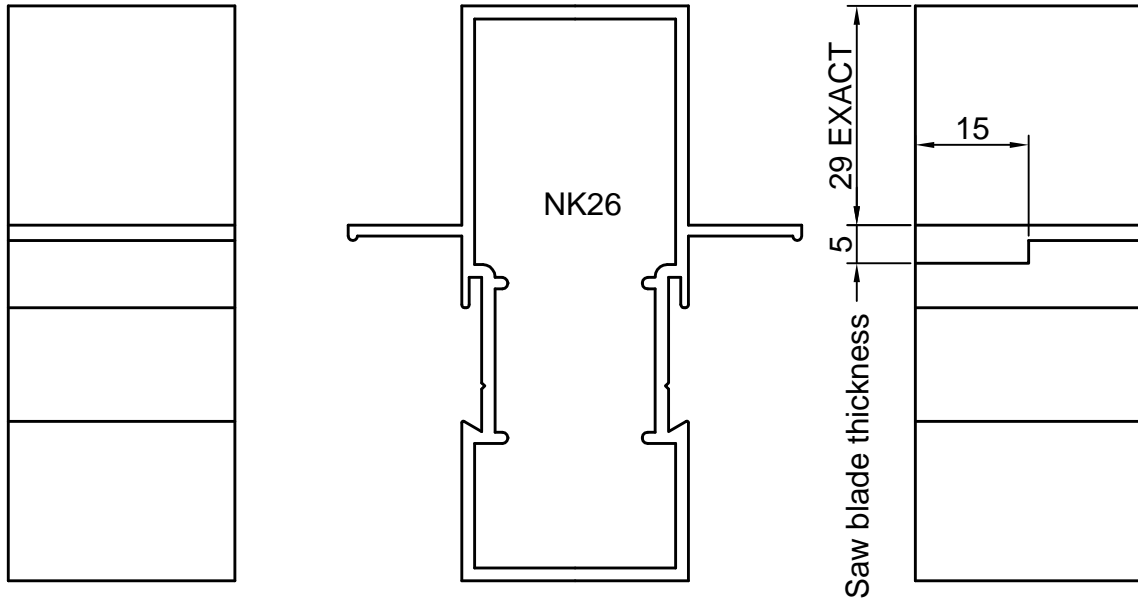
TYPICAL SHOPFRONT TRANSOM DETAILS

## SECTION I - I

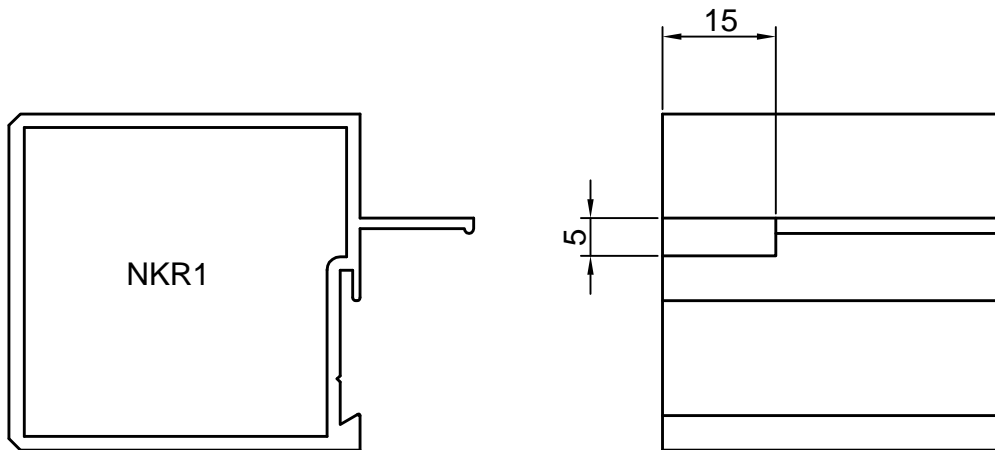


TYPICAL SHOPFRONT TRANSOM DETAILS SHOWING ALTERNATIVE SECTIONS

Square cut only if connected to "D-slot" of NK26D, or NK40D also to NK26B

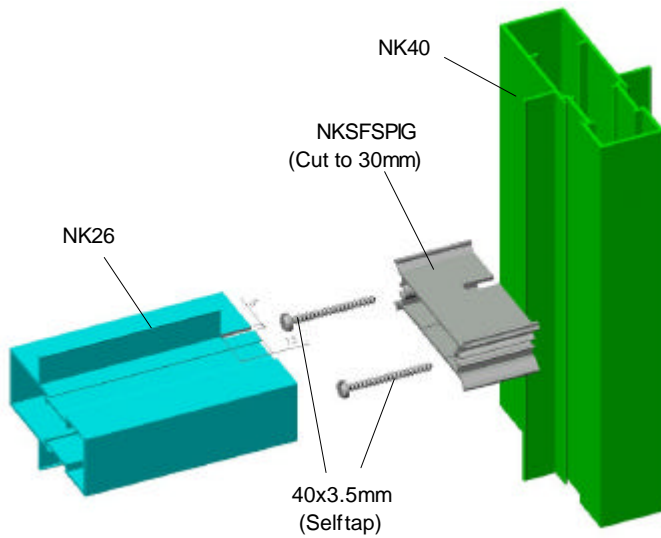


In this case the insert only need to be slotted.

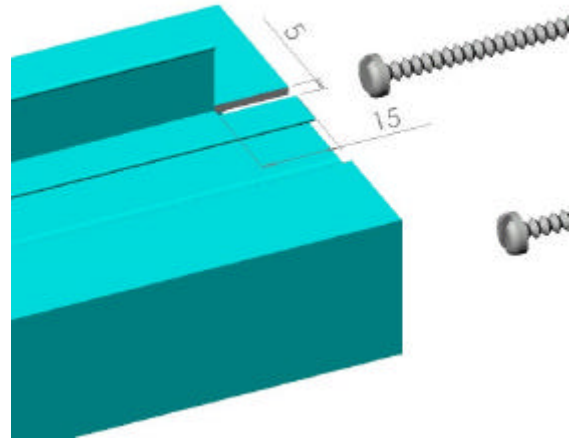


NKR2, NKR4, NKR6, NKR7 or NKR4 filler.

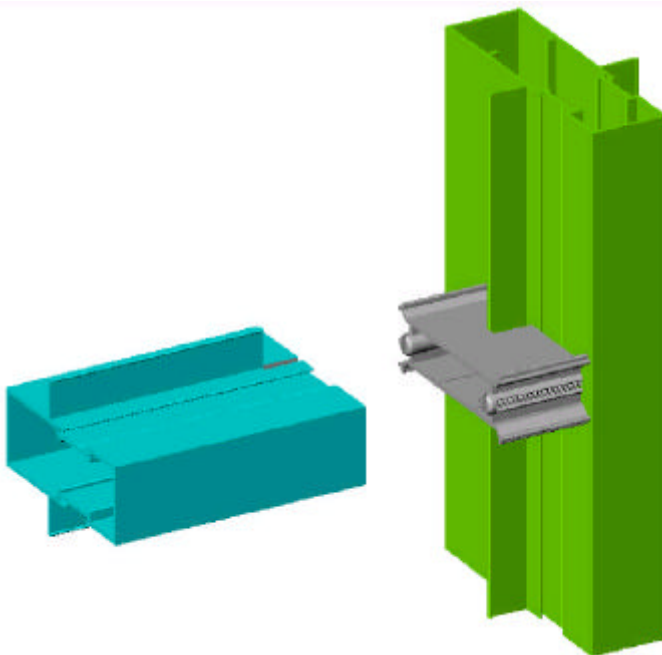
HORIZONTAL TO VERTICAL CONNECTION FOR  
SHOPFRONTS, DOORS & GALAXY SLIDING DOORS



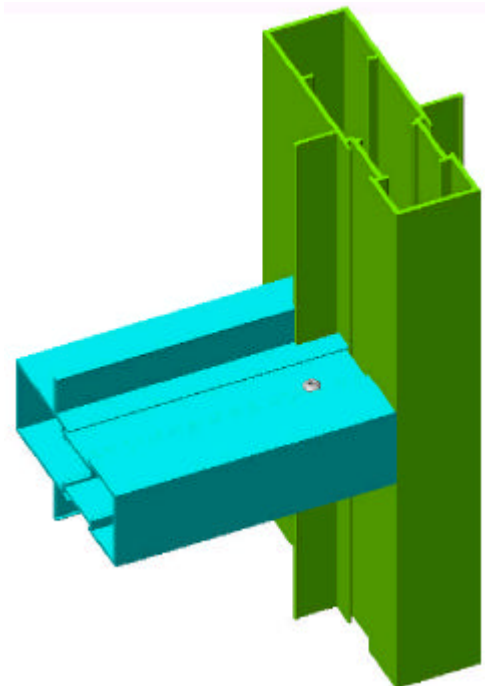
- Exploded View of Components



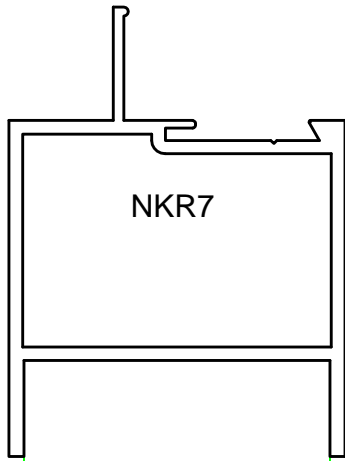
- End Milling Detail for Transom and Spigot



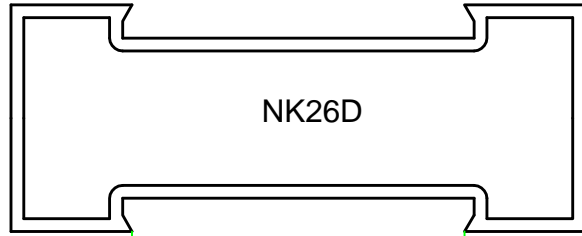
- Mount the Spigot on the Mullion.
- Apply Sealant Silicone to End Face of Transom



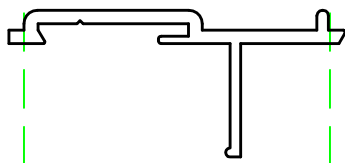
- Slide Transom over Spigot
- Drill through on the hidden drill line.
- Connect with blind rivet on both sides.
- Wipe away excess Silicone before it hardens.



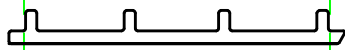
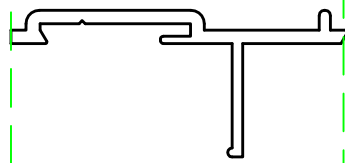
NKR7



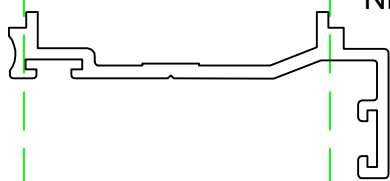
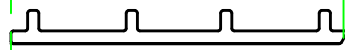
NK26D



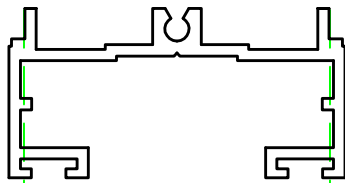
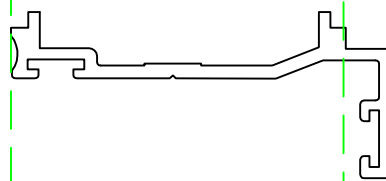
NKR4 Filler



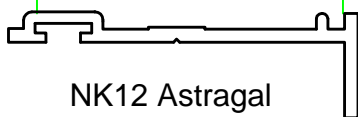
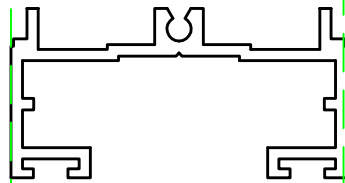
NK Flat Filler



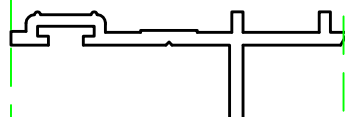
NKDR Recess



NKP02

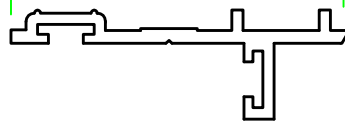


NK12 Astragal

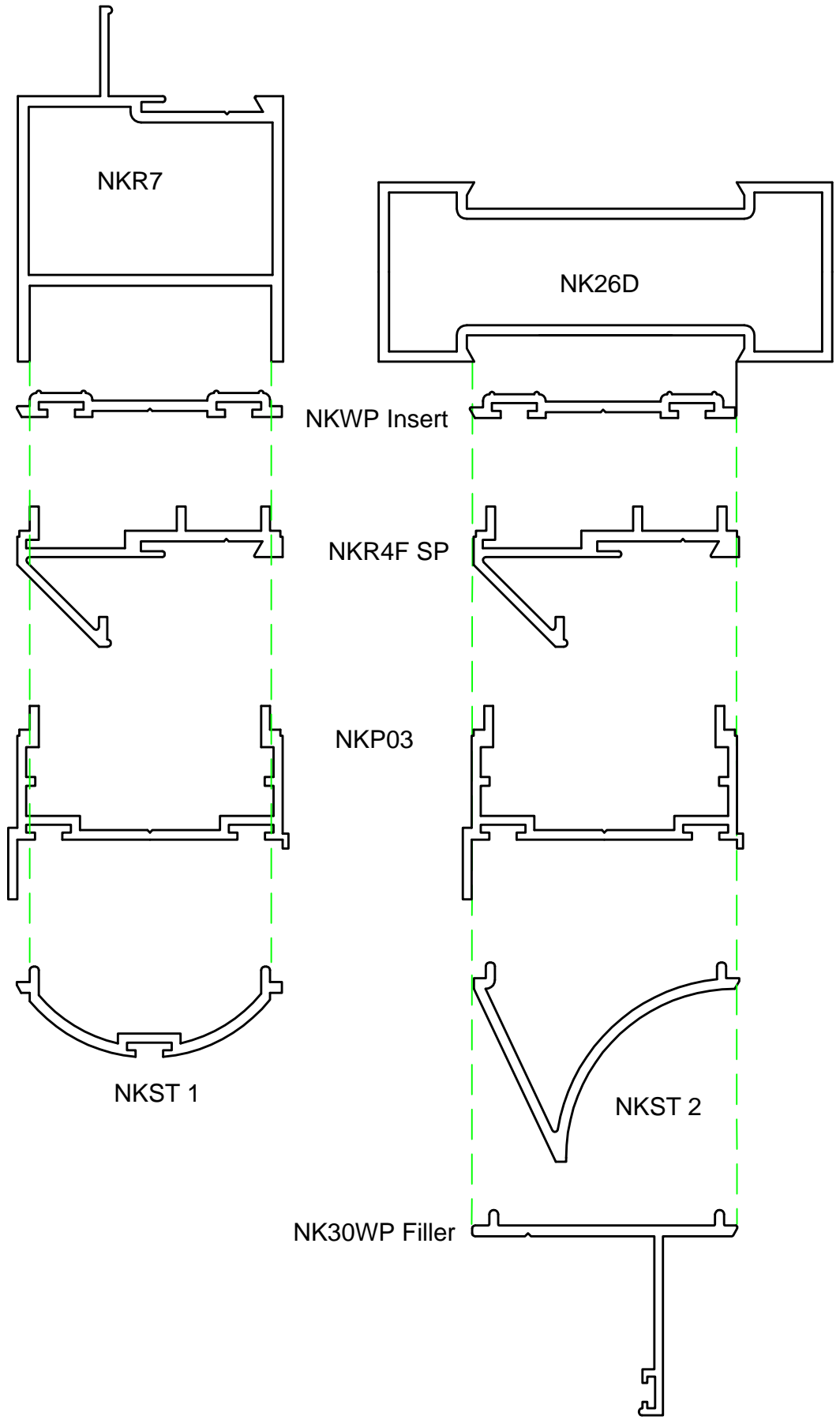


NK Door Rebate

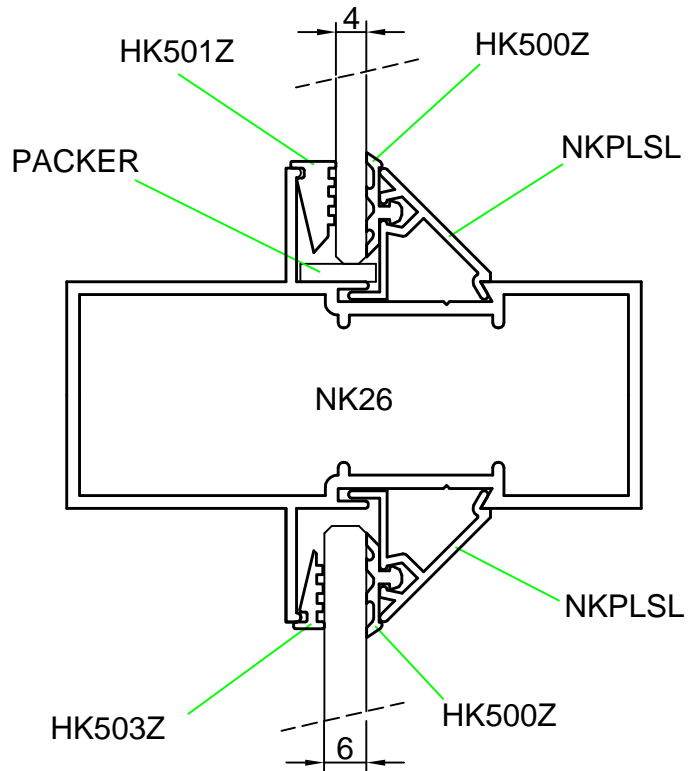
NKDREBWP



INSERTS VARIATION

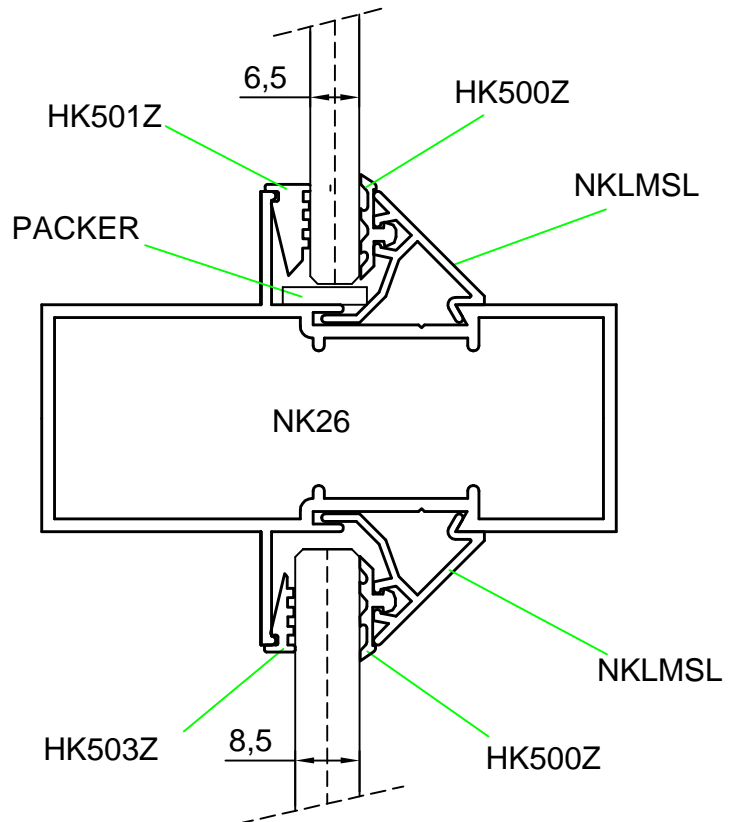


4MM PLAIN GLASS



6 MM PLAIN GLASS

6.5MM LAMINATED GLASS

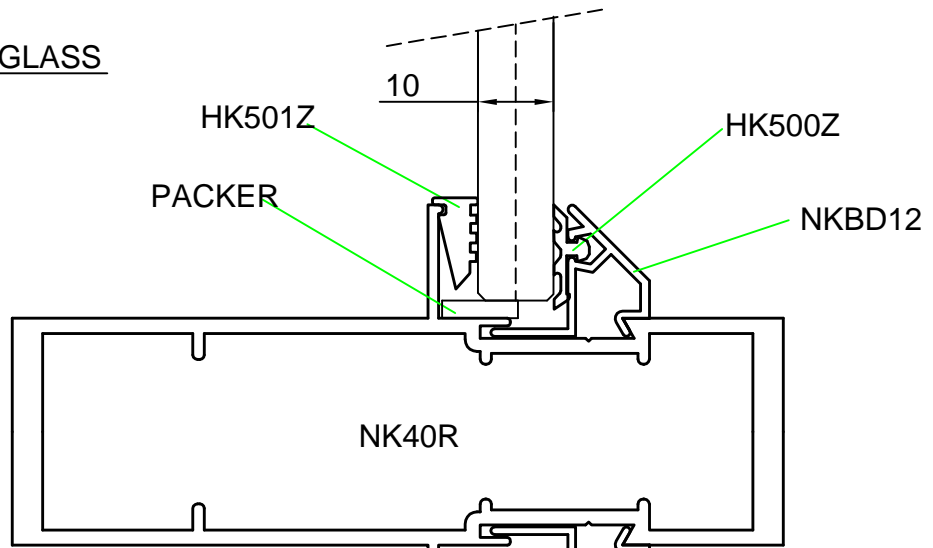


8.5MM LAMINATED GLASS

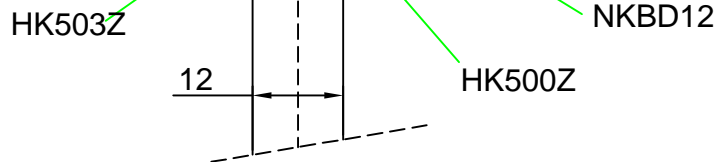
GLAZING DETAILS APPLICABLE TO SHOPFRONTS



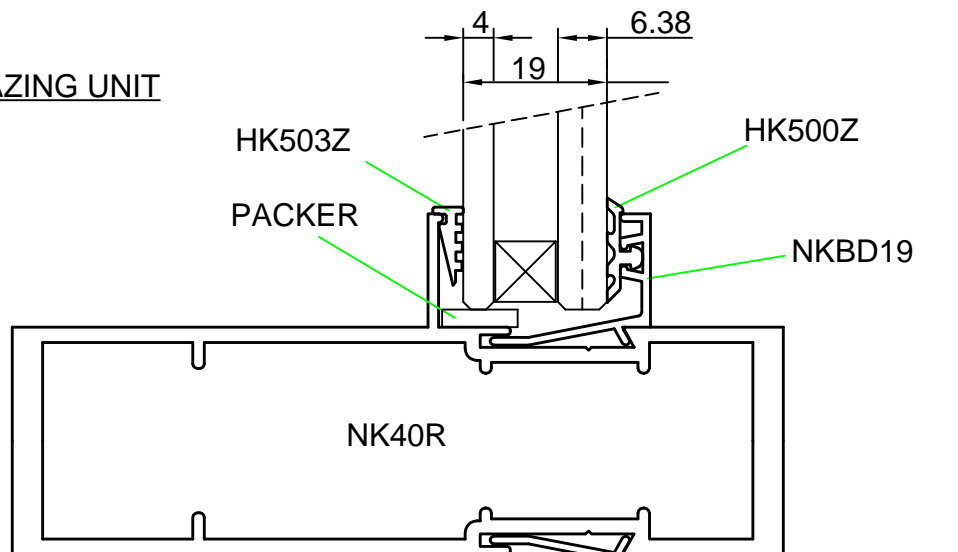
10 MM LAMINATED GLASS



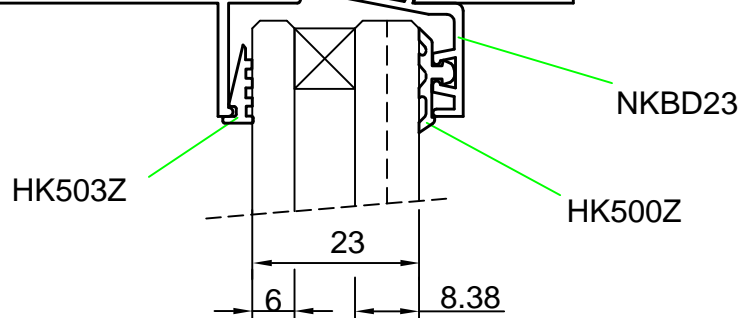
12 MM LAMINATED GLASS



19MM SEALED GLAZING UNIT



23MM SEALED GLAZING UNIT



GLAZING DETAILS APPLICABLE TO SHOPFRONTS