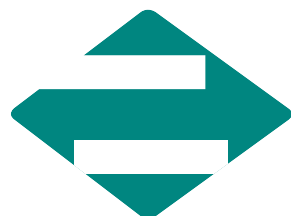


NuKlip

Partition System

Technical Catalogue

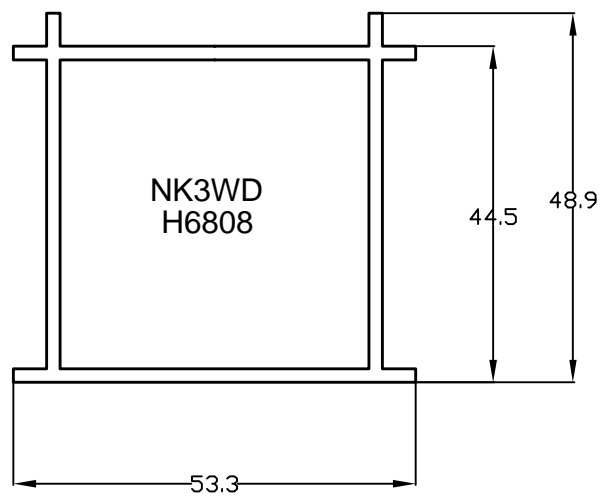
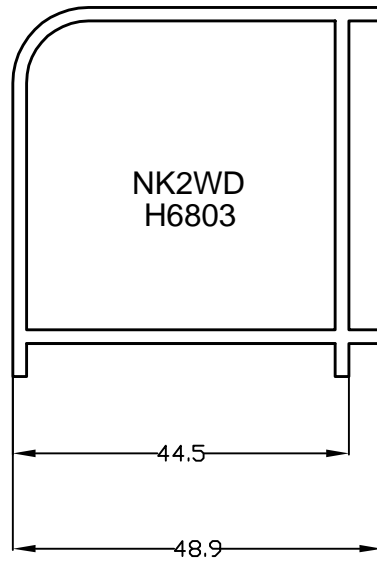


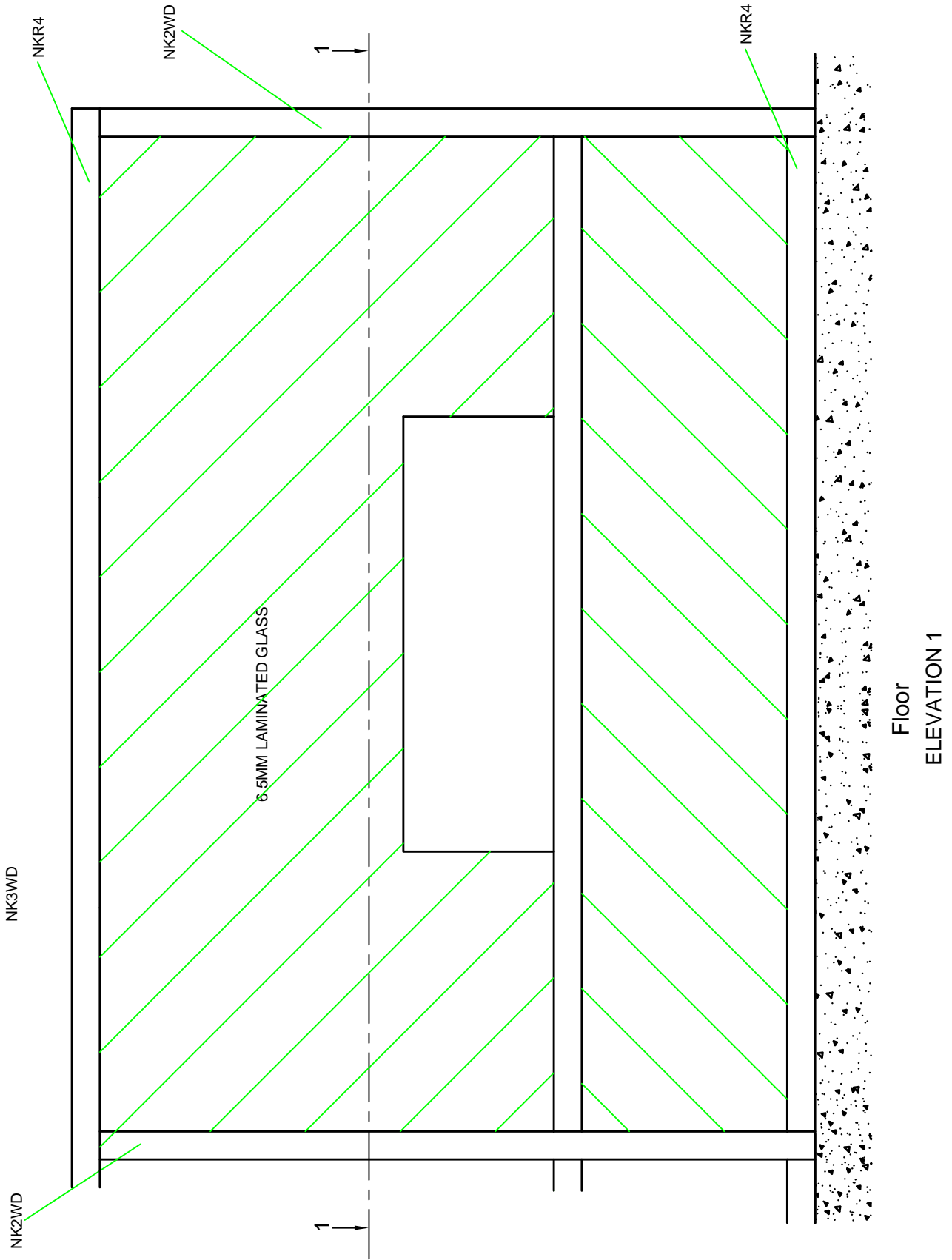
almin

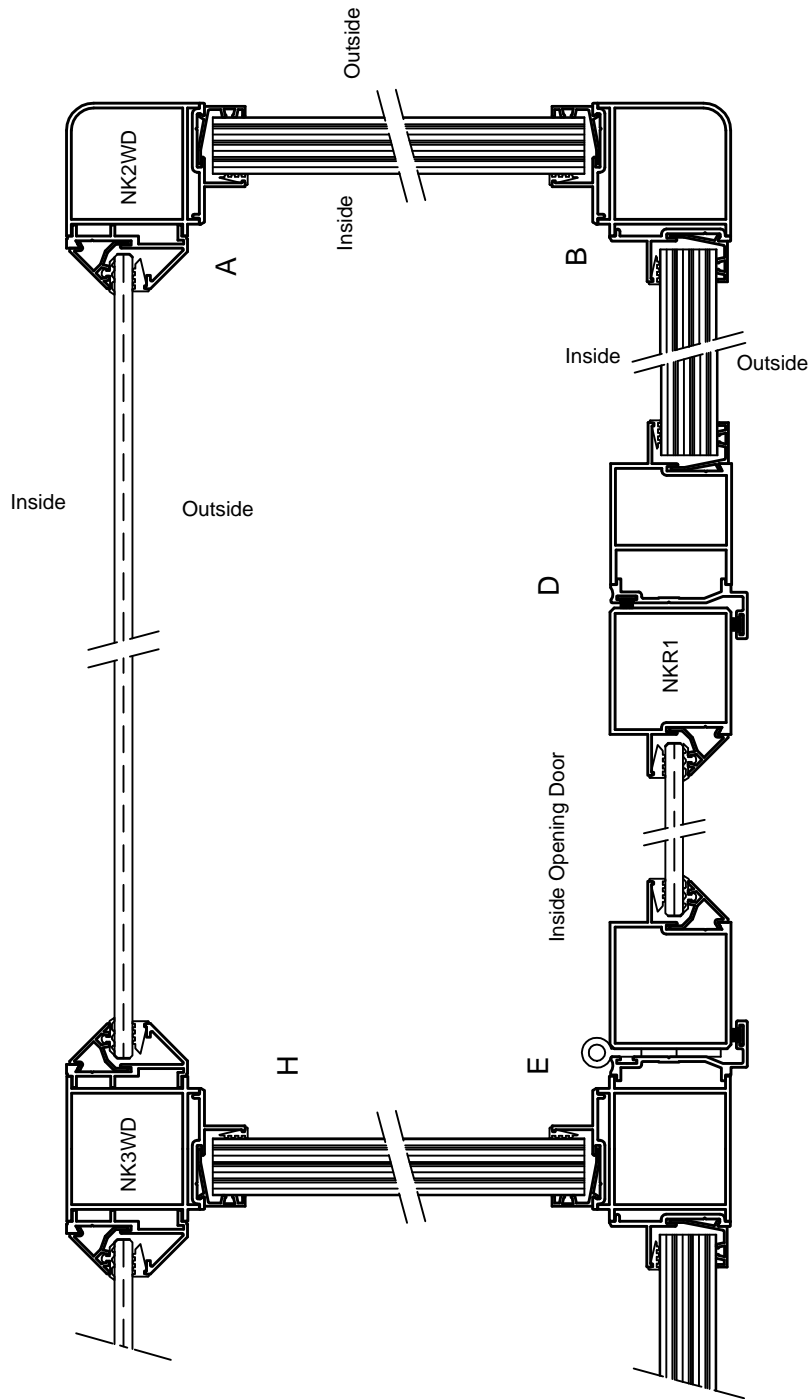
almin metal industries limited

ALMIN PARK
Corner Willowvale & Dagenham Roads
Willowvale, Harare
P O Box ST394
Southerton
Harare
Zimbabwe

Telephones : +263-4-620111/2/6/7/9
Email : tmungure@almin.co.zw
: tmanjeya@almin.co.zw
: customerservice@almin.co.zw
Website : www.almin.co.zw



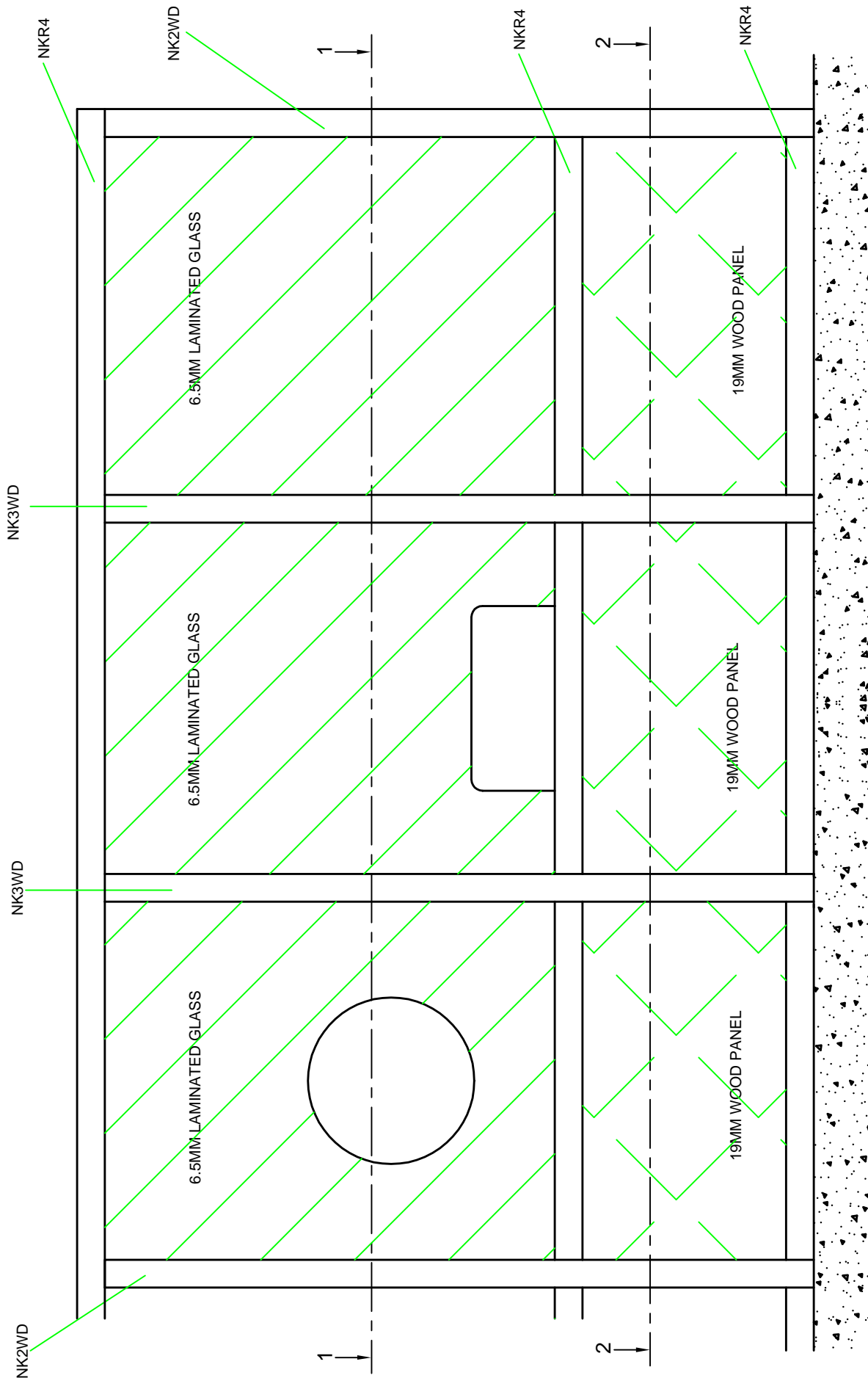




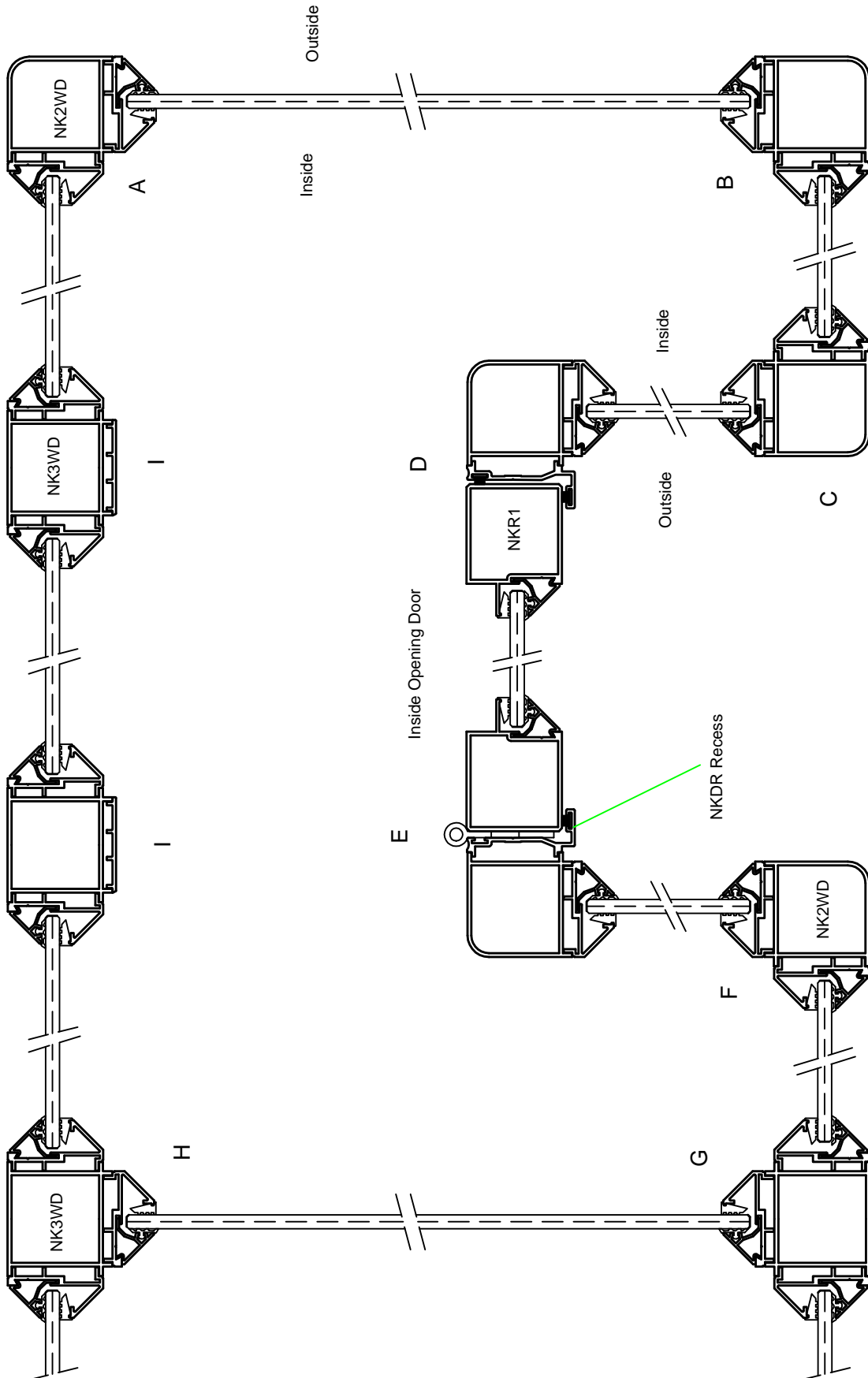
SECTION 2 - 2



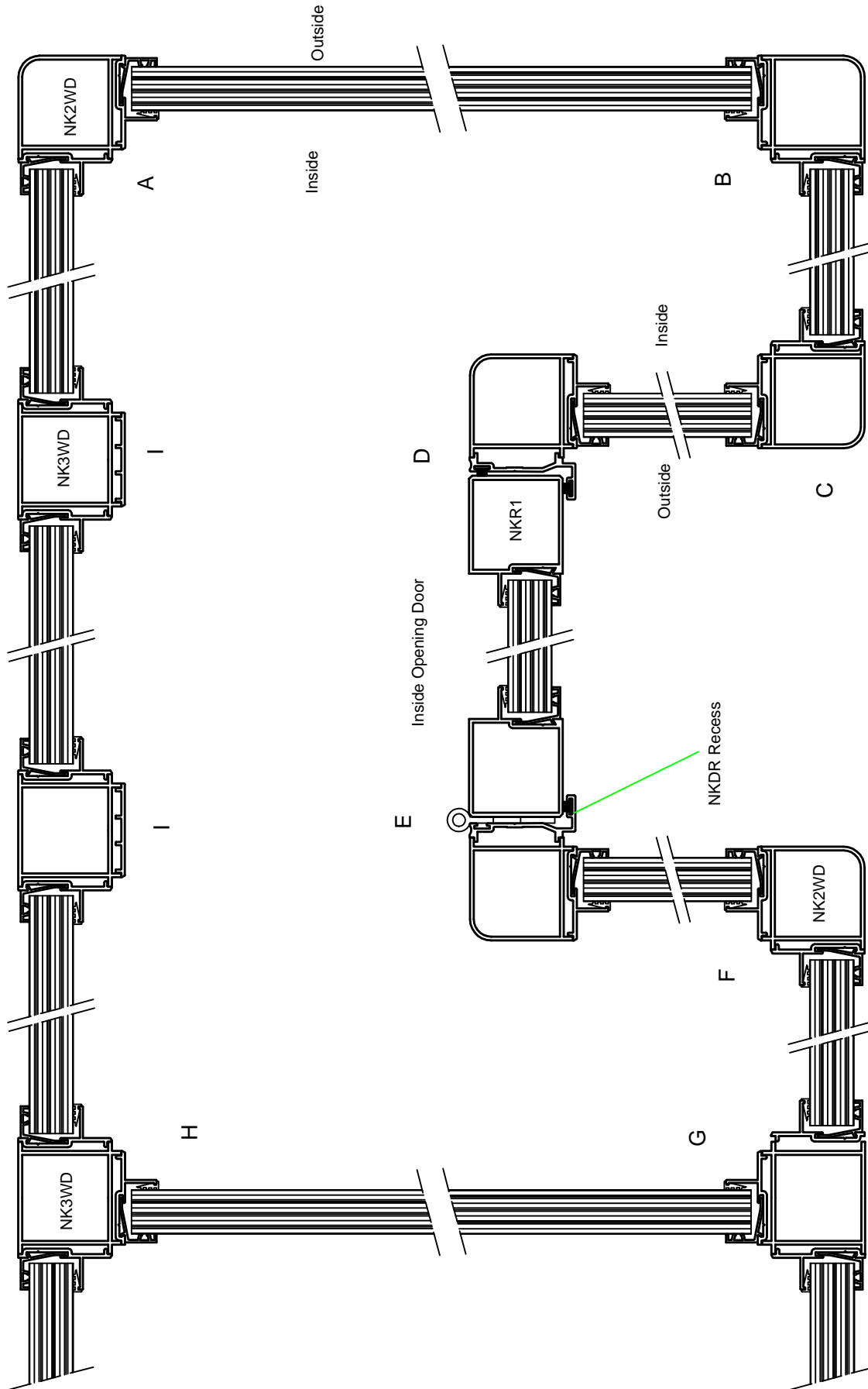
NuKlip Partition Assembly Details



Floor
ELEVATION 1

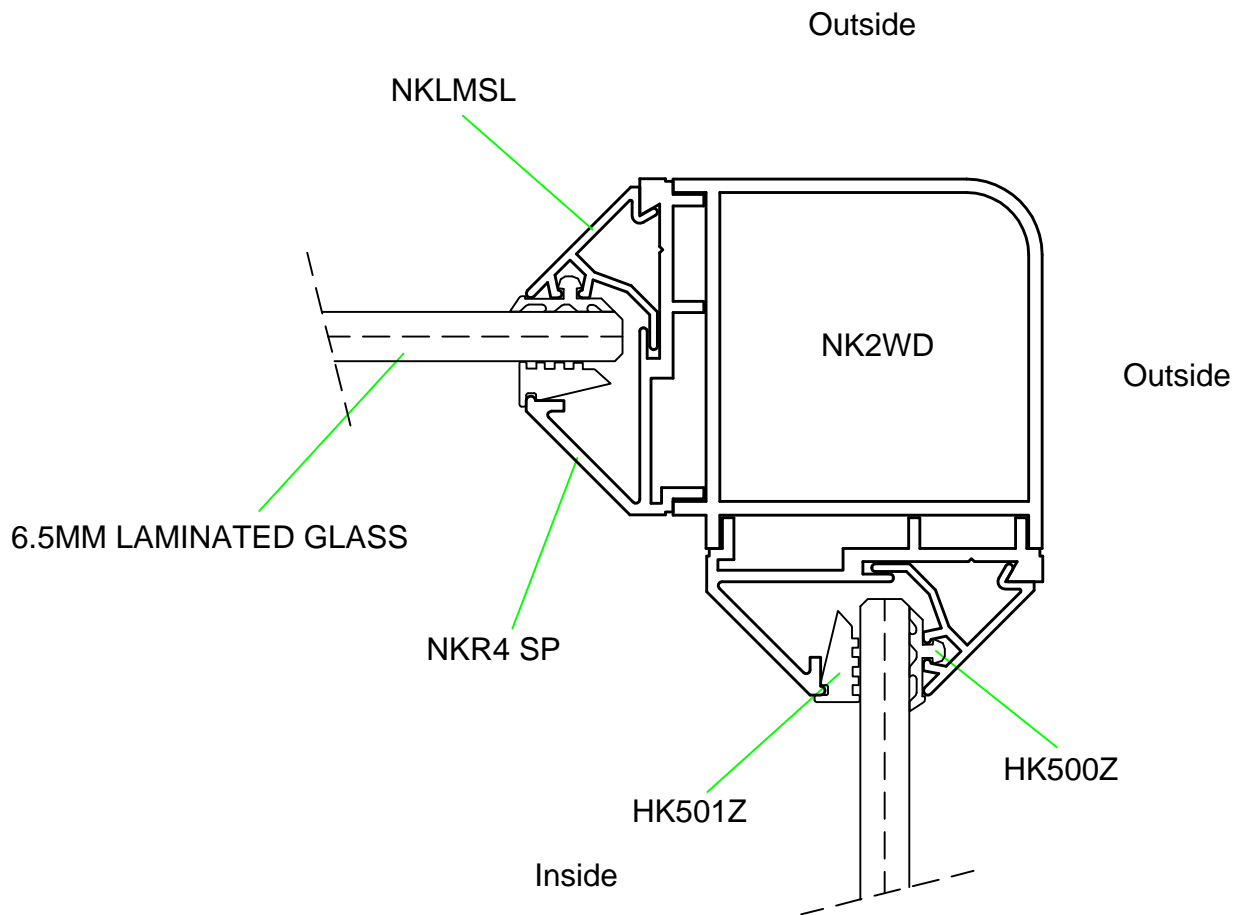


SECTION 1 - 1



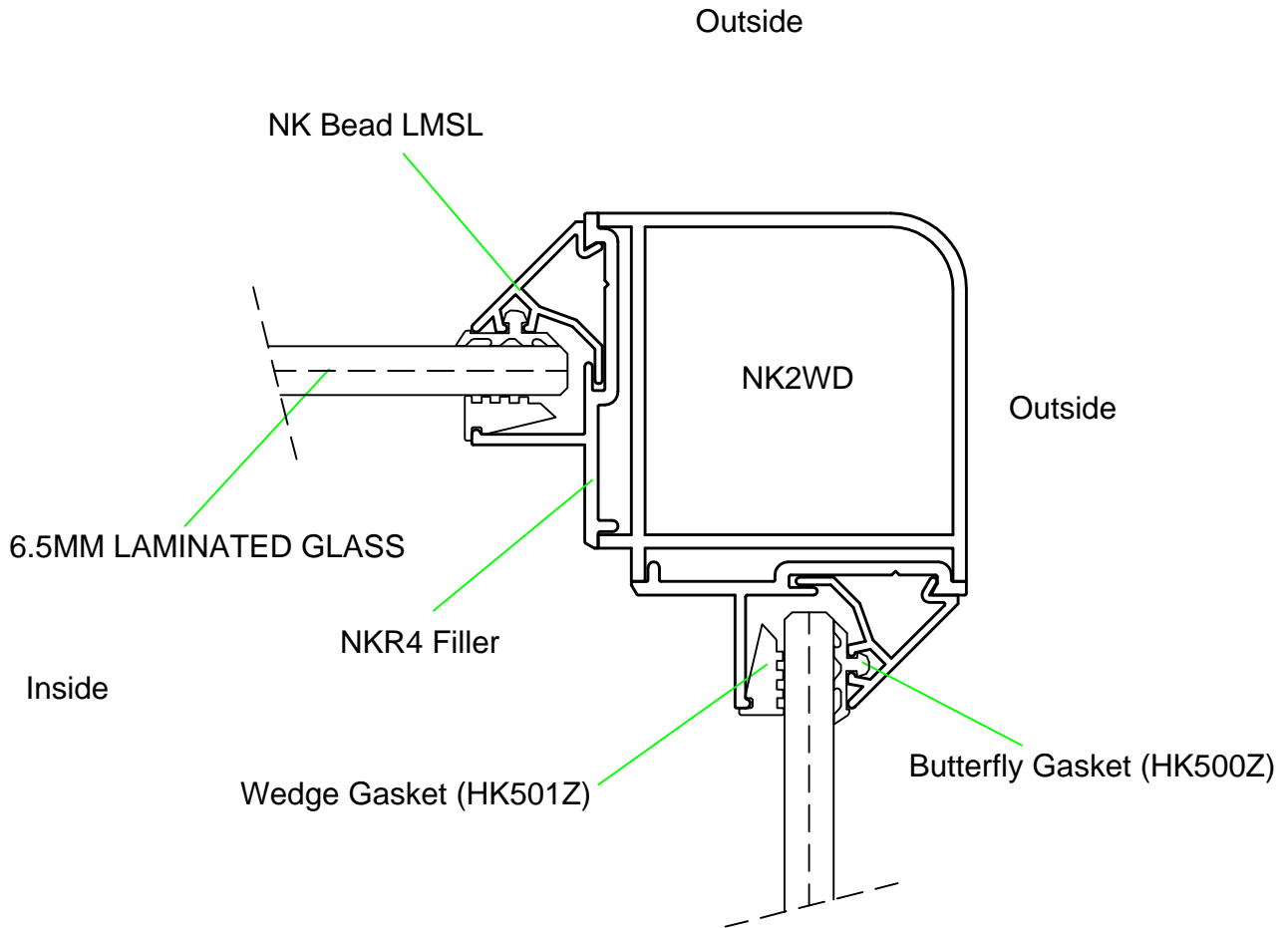
SECTION 2 - 2

DETAIL A1



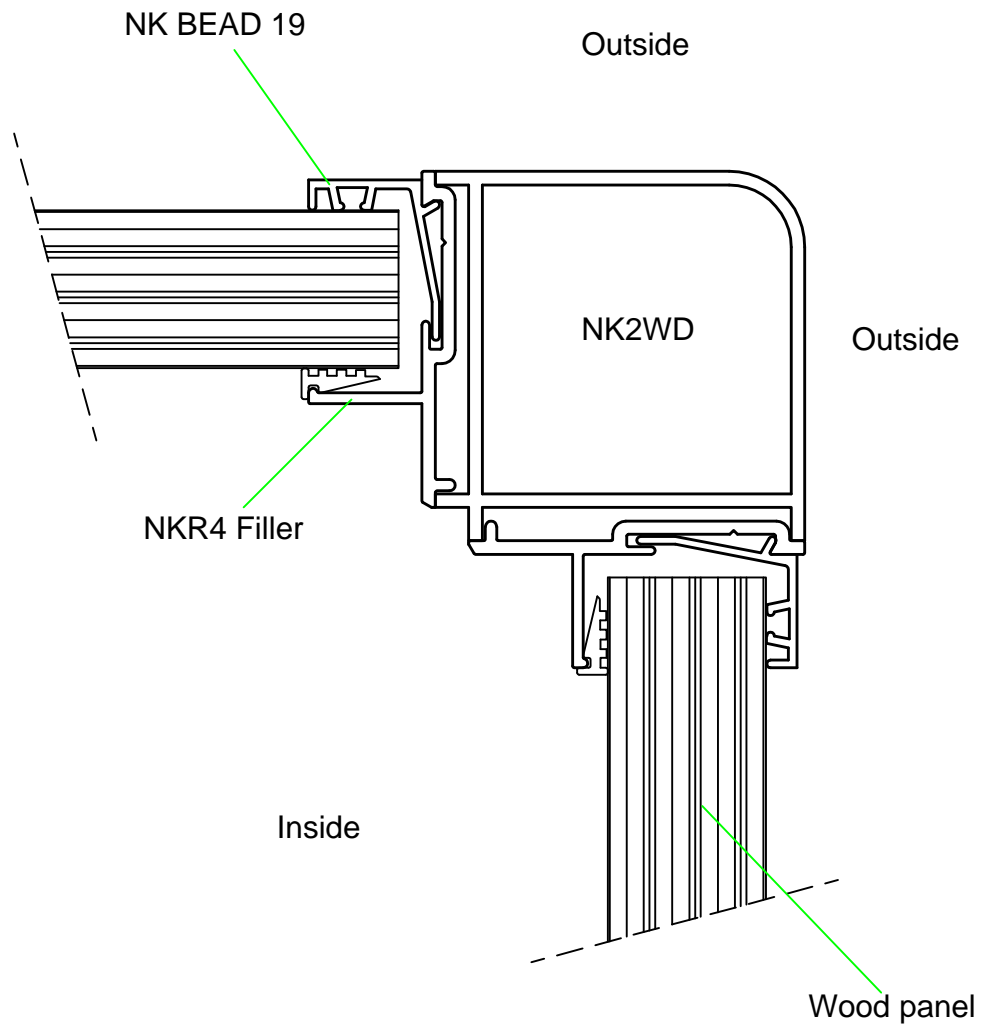


DETAIL A1



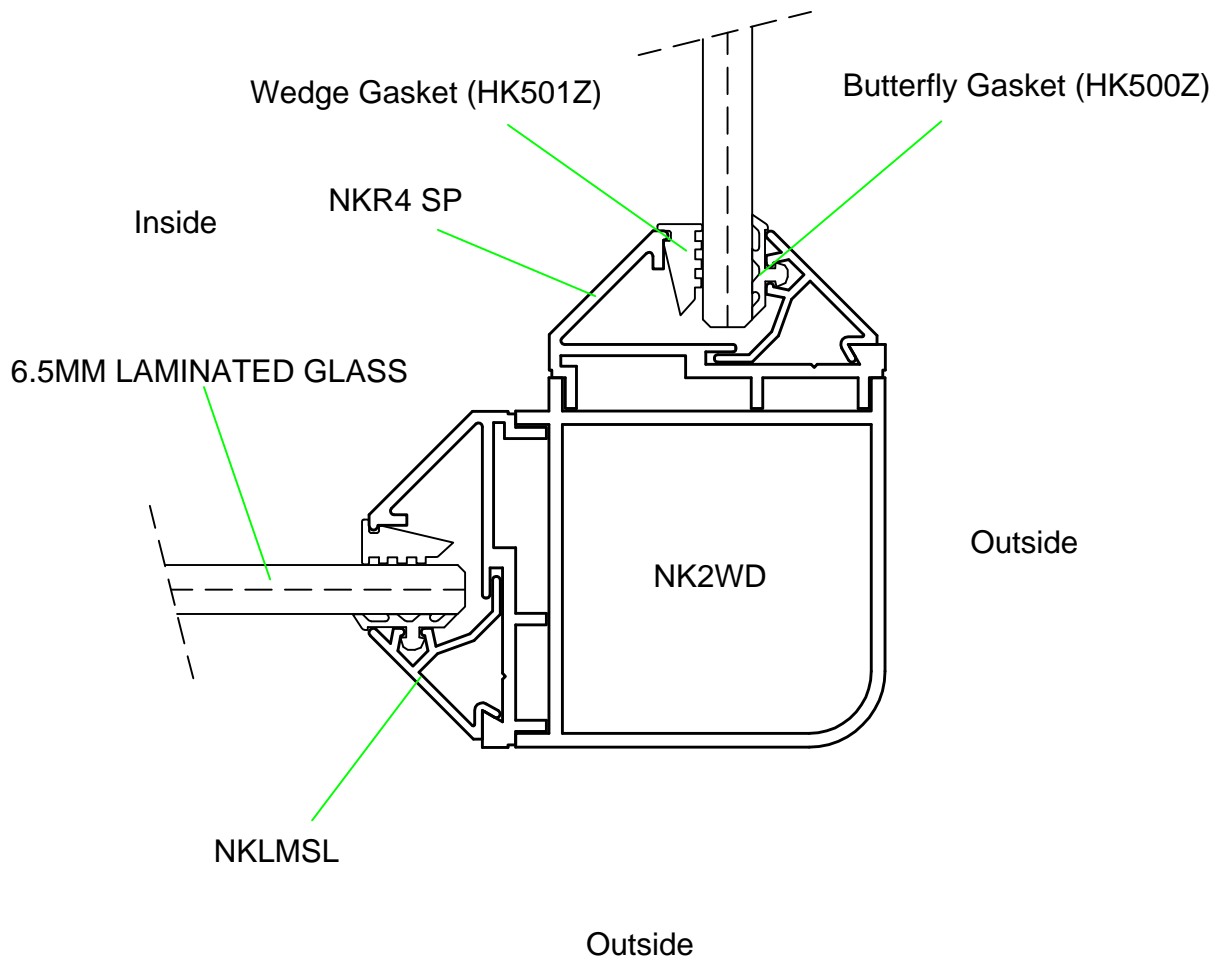


DETAIL A2

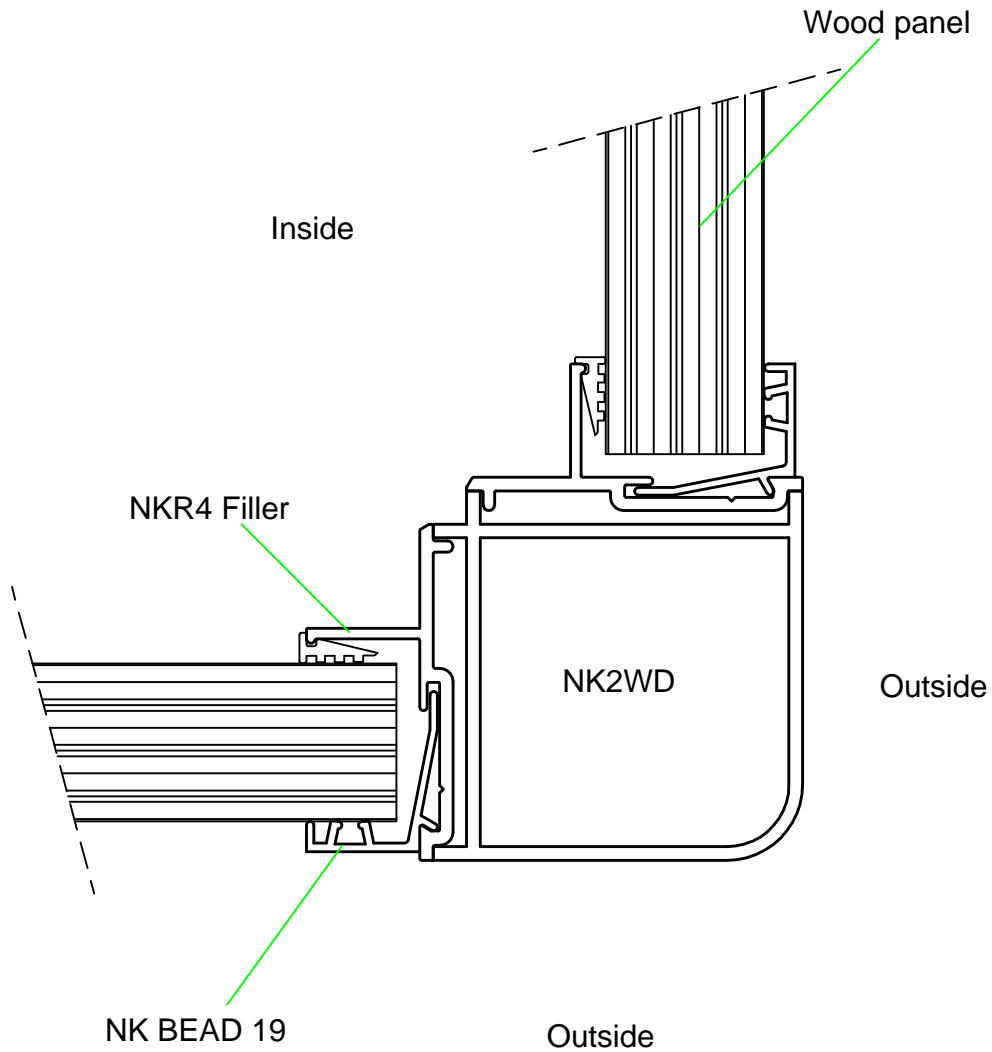




DETAIL B1



DETAIL B2



DETAIL C1

6.5MM LAMINATED GLASS

Butterfly Gasket (HK500Z)

Wedge Gasket (HK501Z)

Inside

NKR4 SP

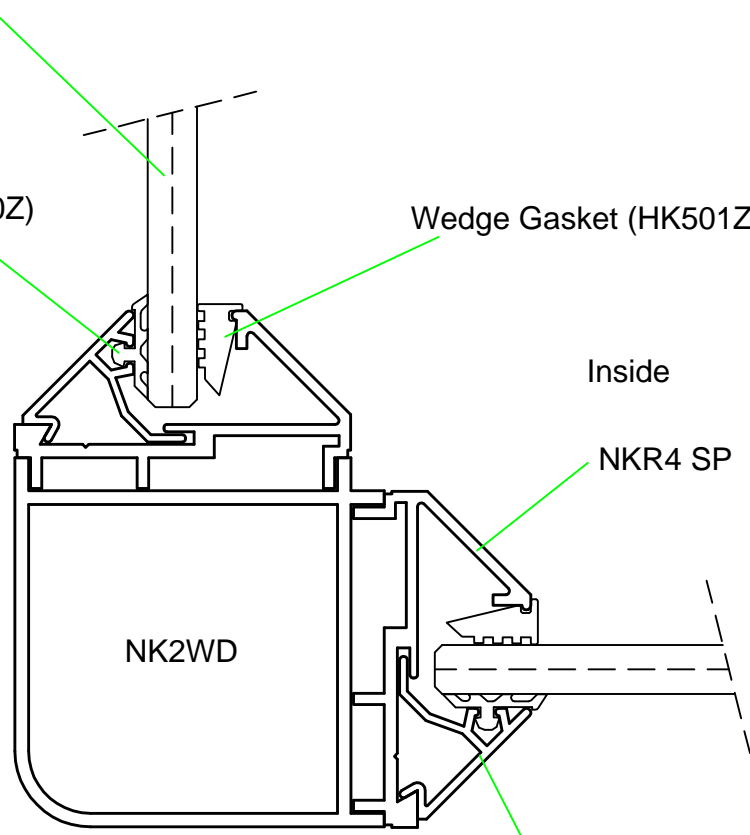
Outside

NK2WD

NKLMSL

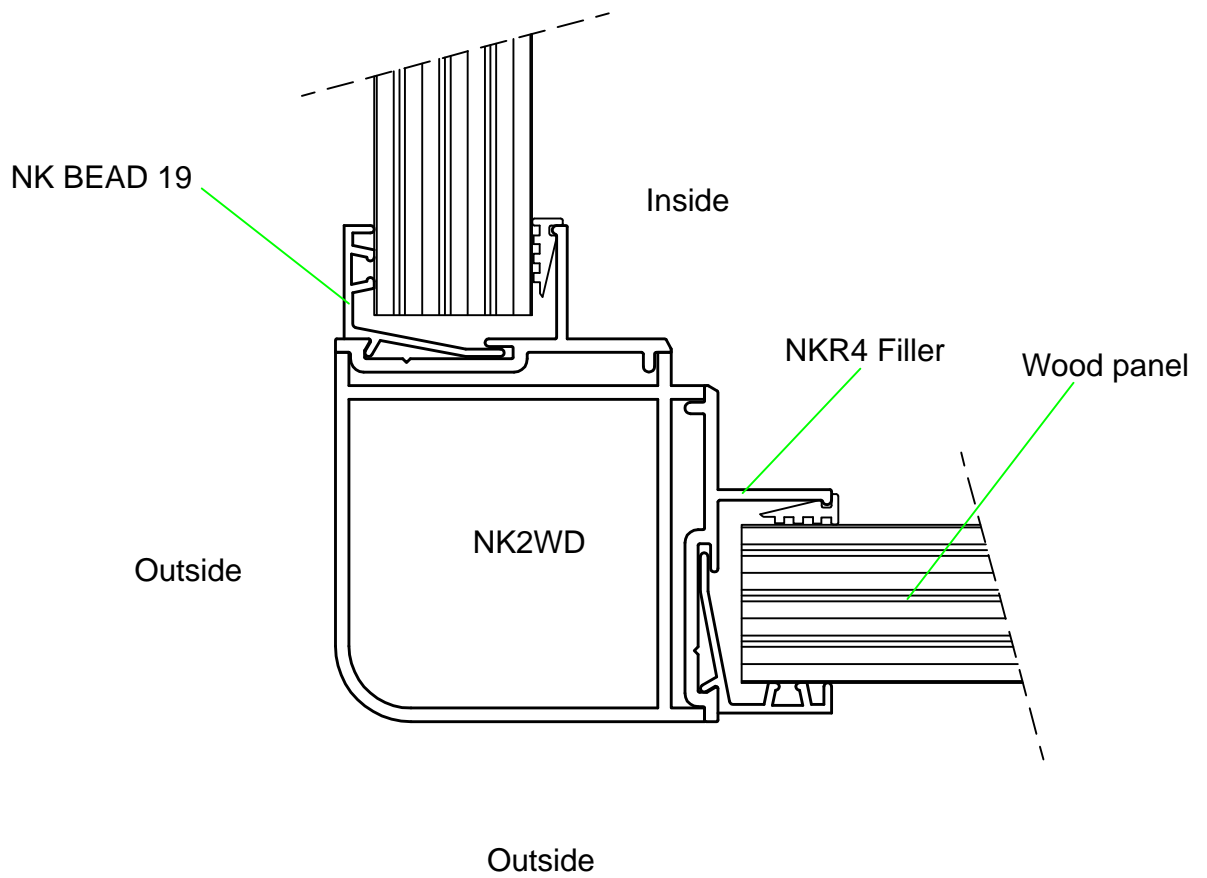
Outside

PARTITION CORNER DETAILS





DETAIL C2



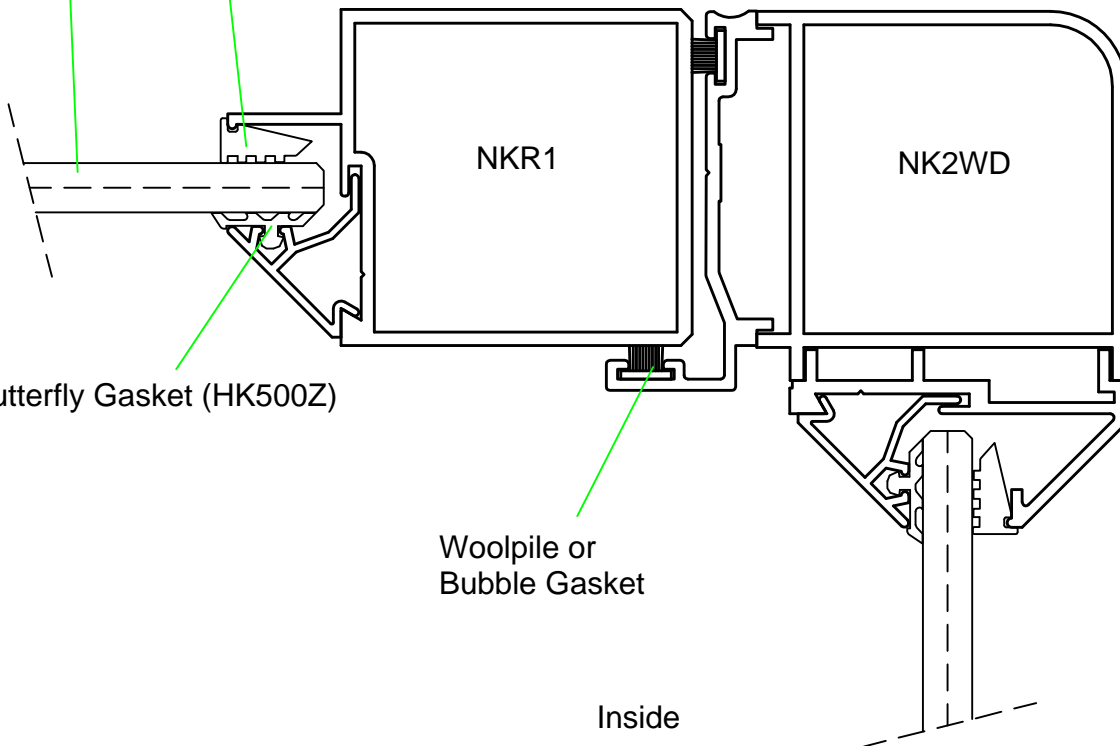


DETAIL D1

6.5MM LAMINATED GLASS

Wedge Gasket (HK501Z)

Outside



Butterfly Gasket (HK500Z)

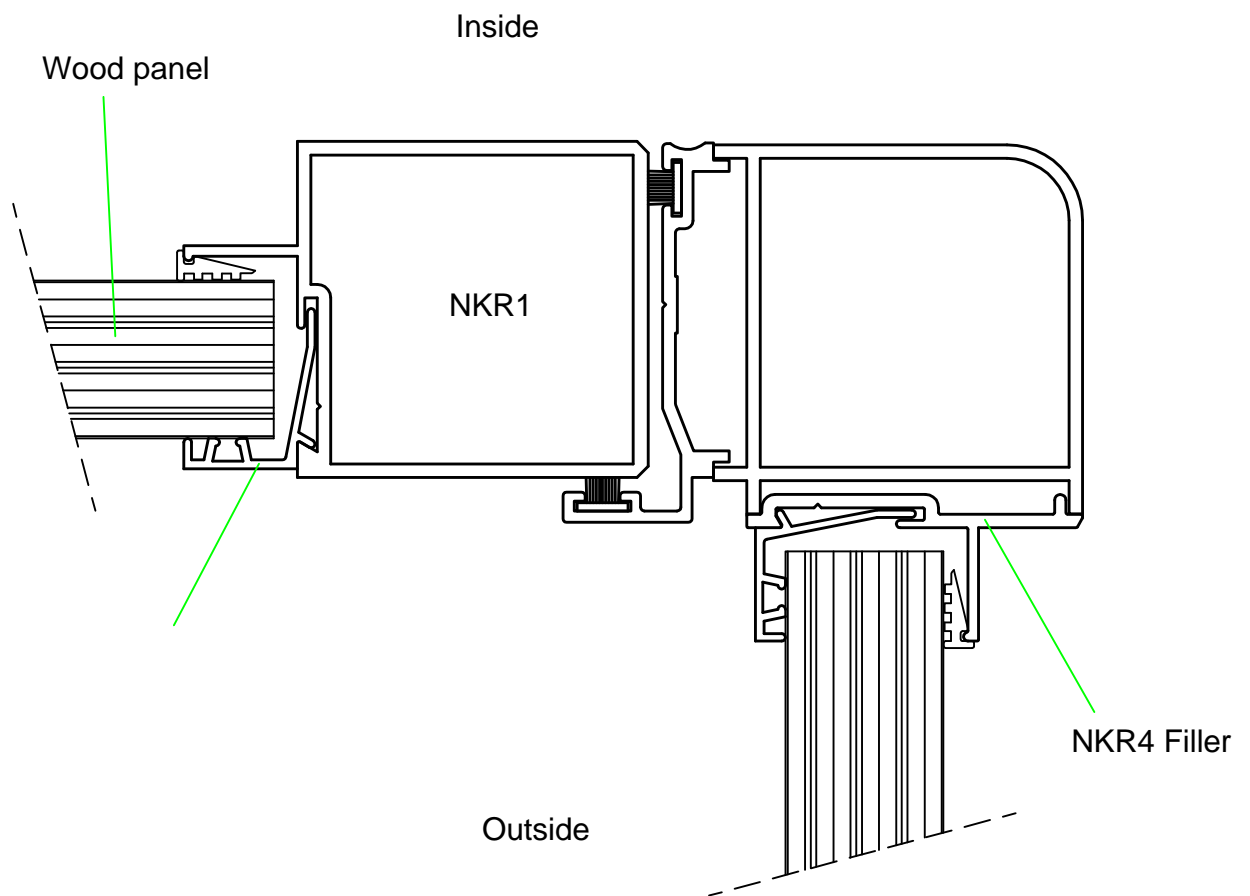
NKR1

NK2WD

Outside

Woolpile or
Bubble Gasket

Inside



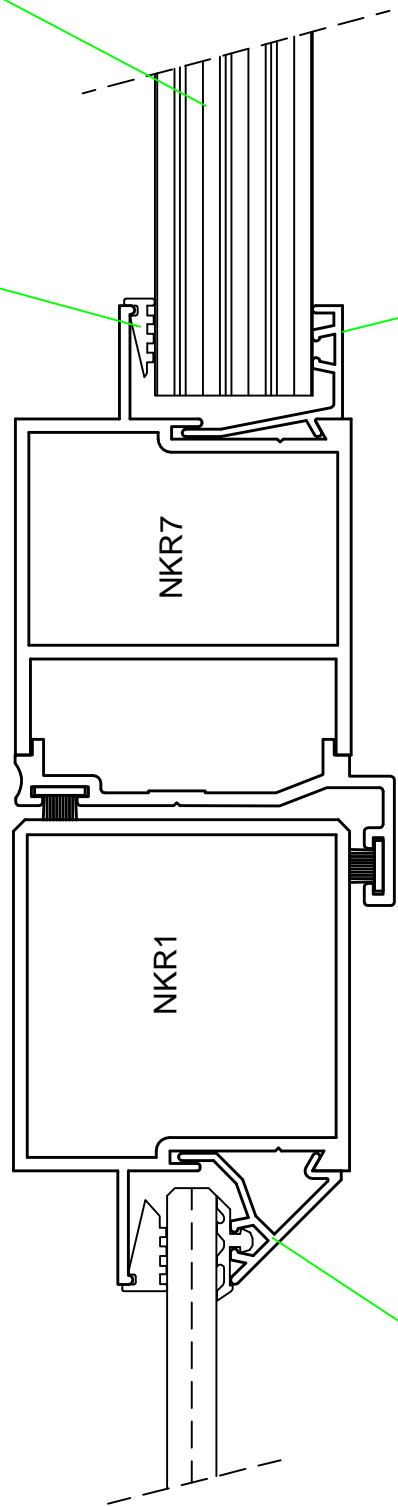


DETAIL D3

Inside

Wedge Gasket
(HK503Z)

Wood Panel



NK BEAD 19

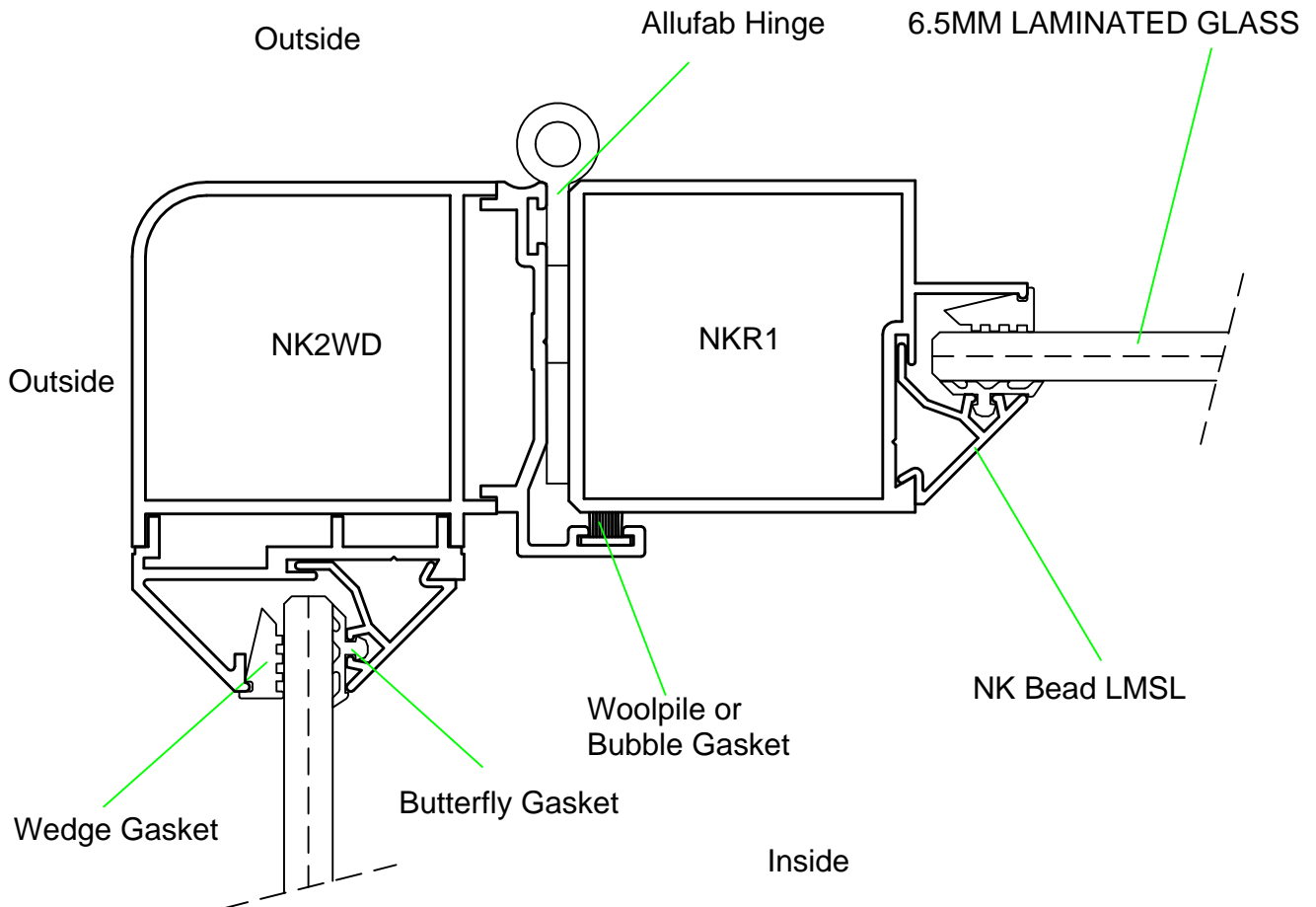
Outside

NKLM SL

PARTITION DOOR DETAILS

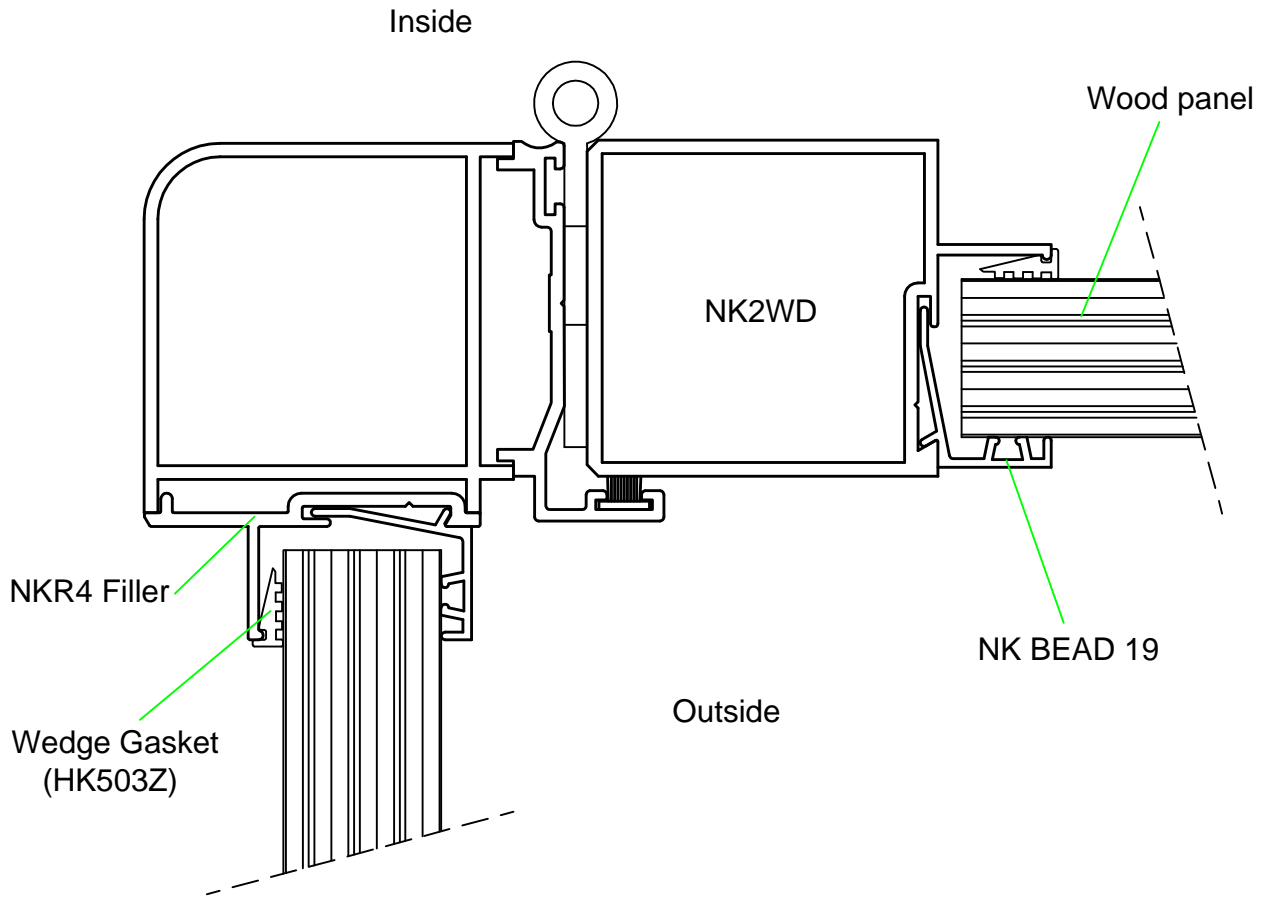


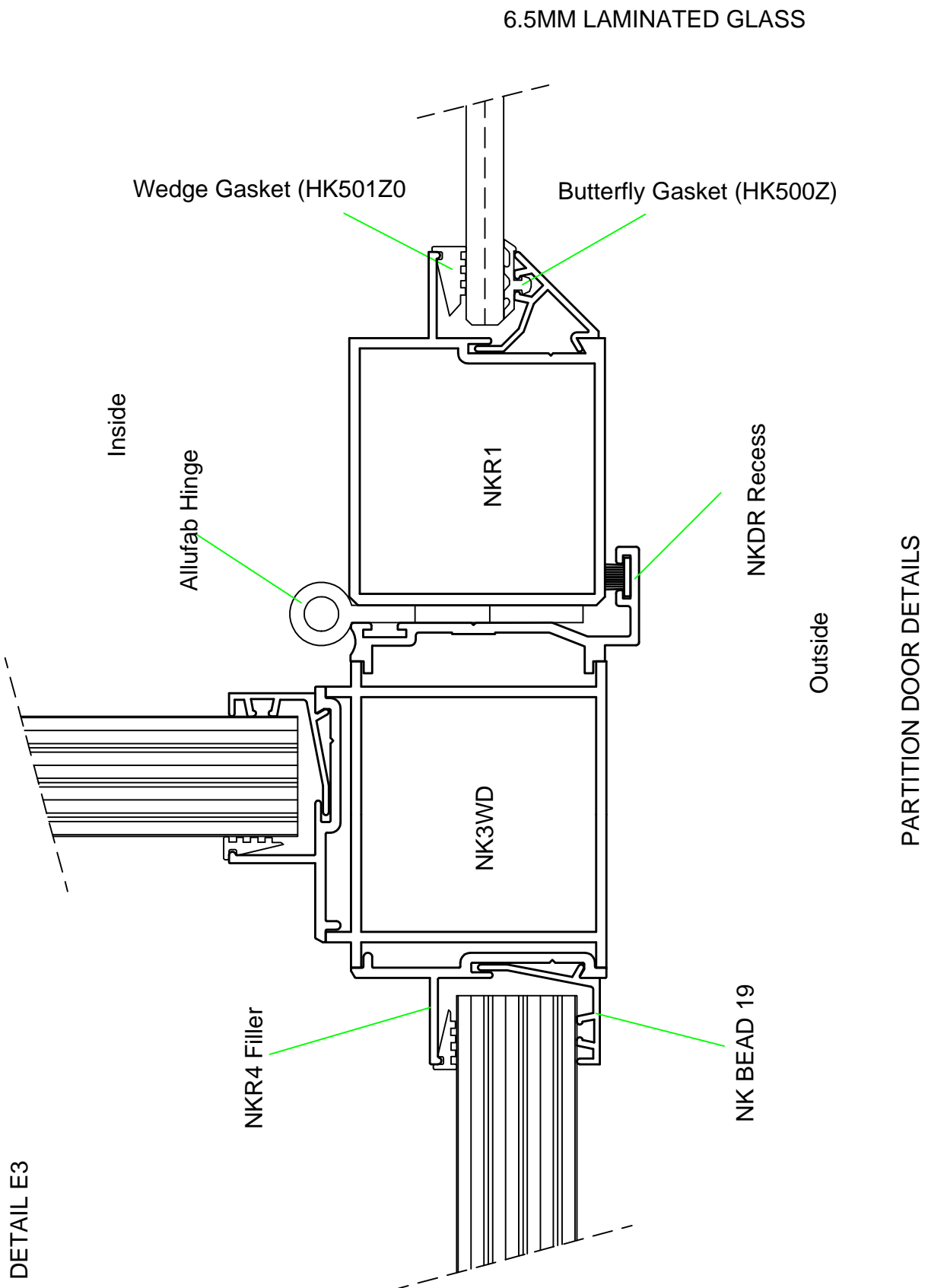
DETAIL E1





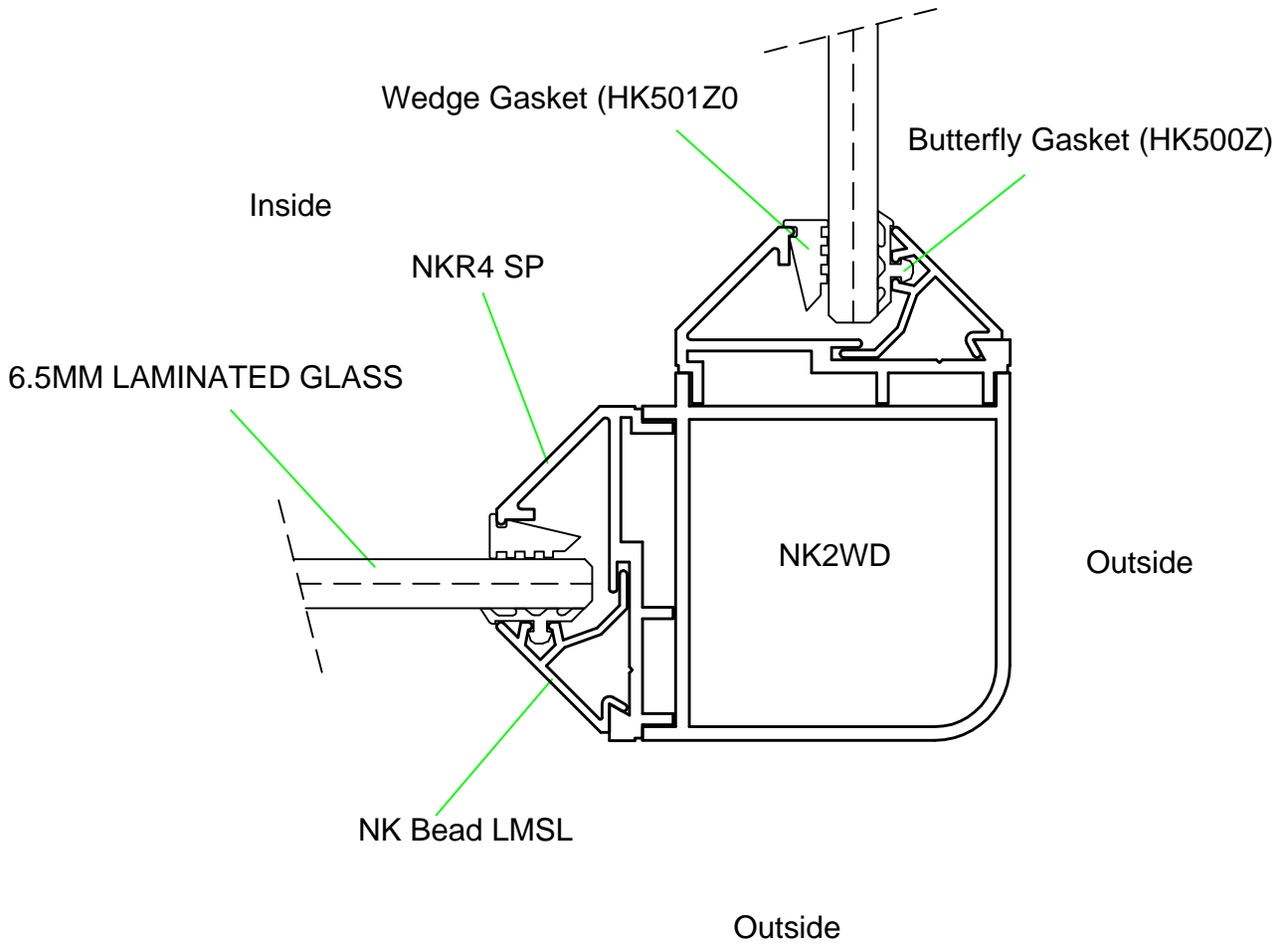
DETAIL E2



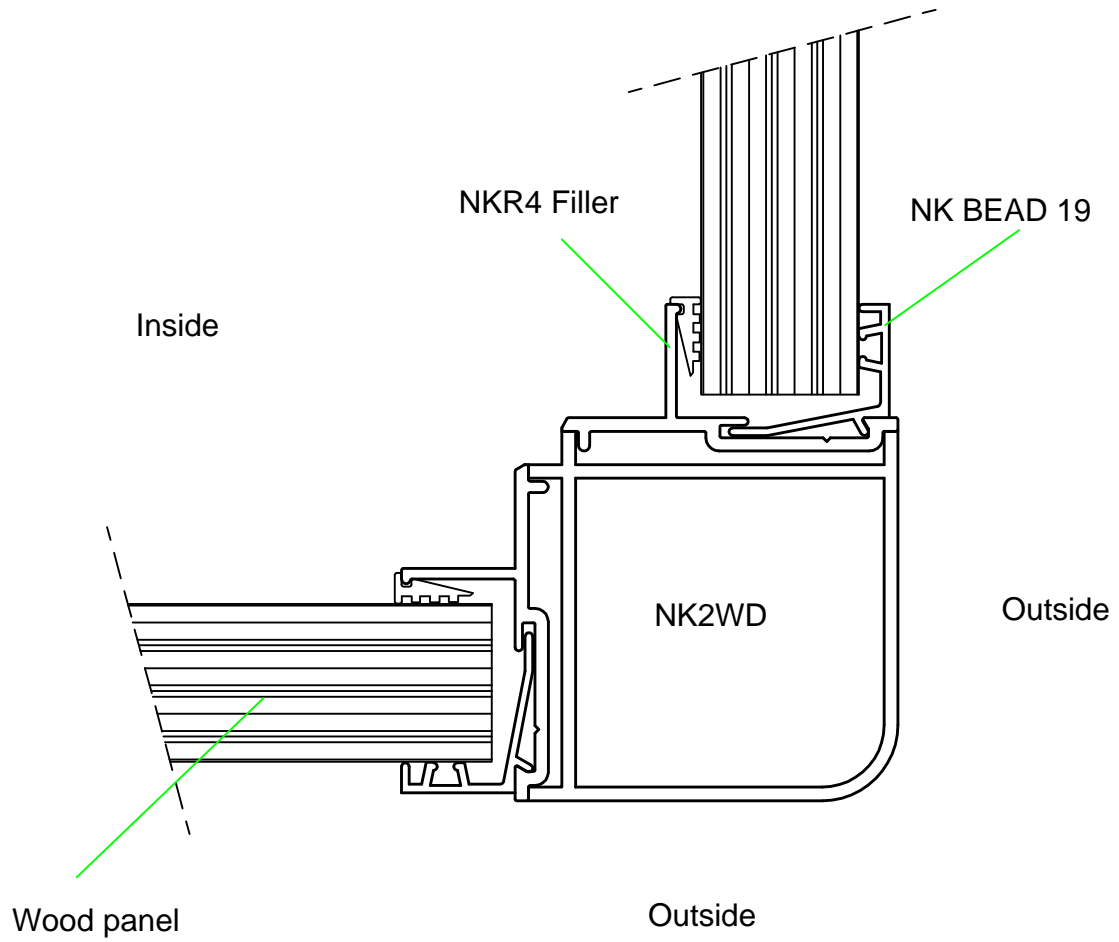


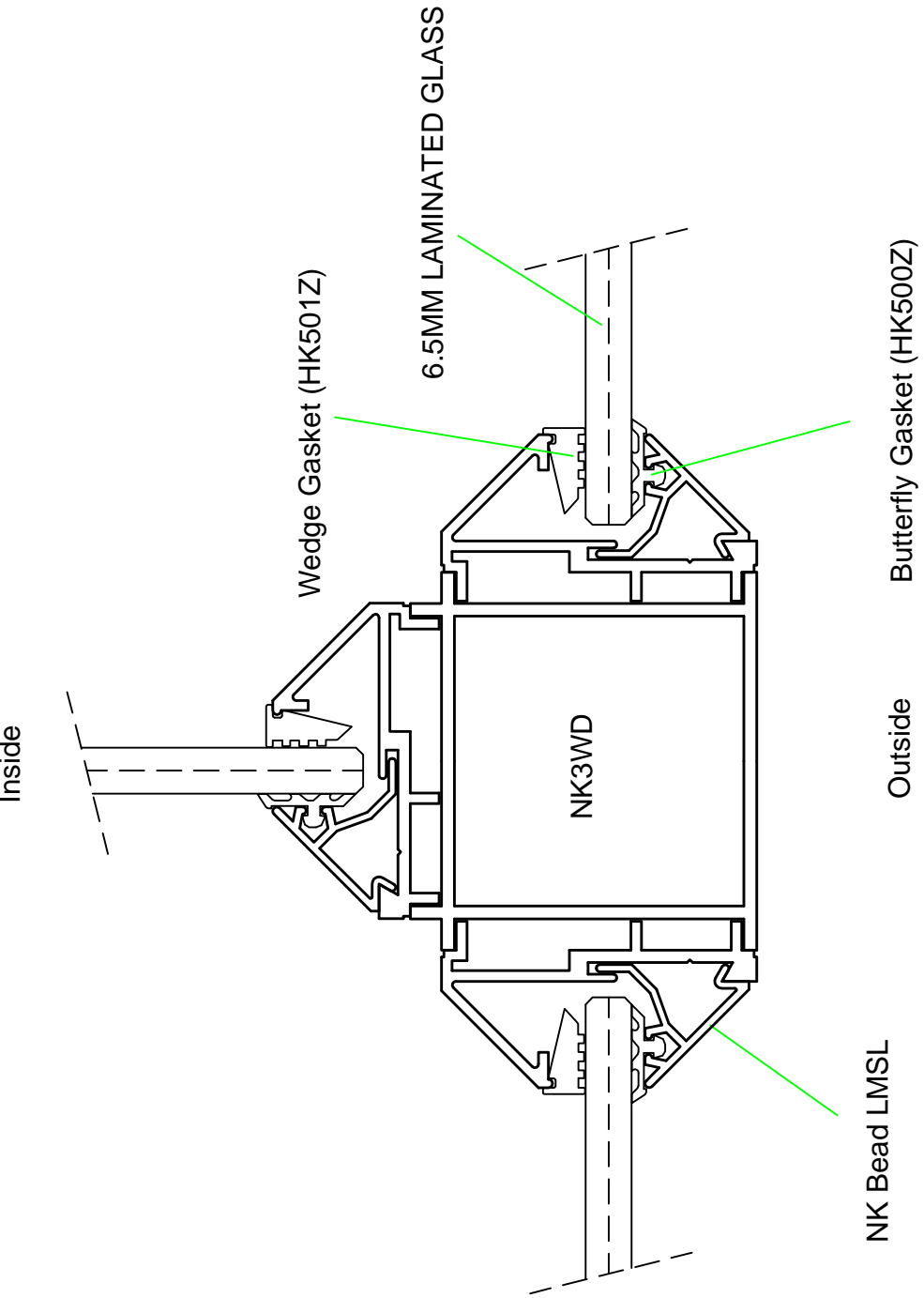


DETAIL F1



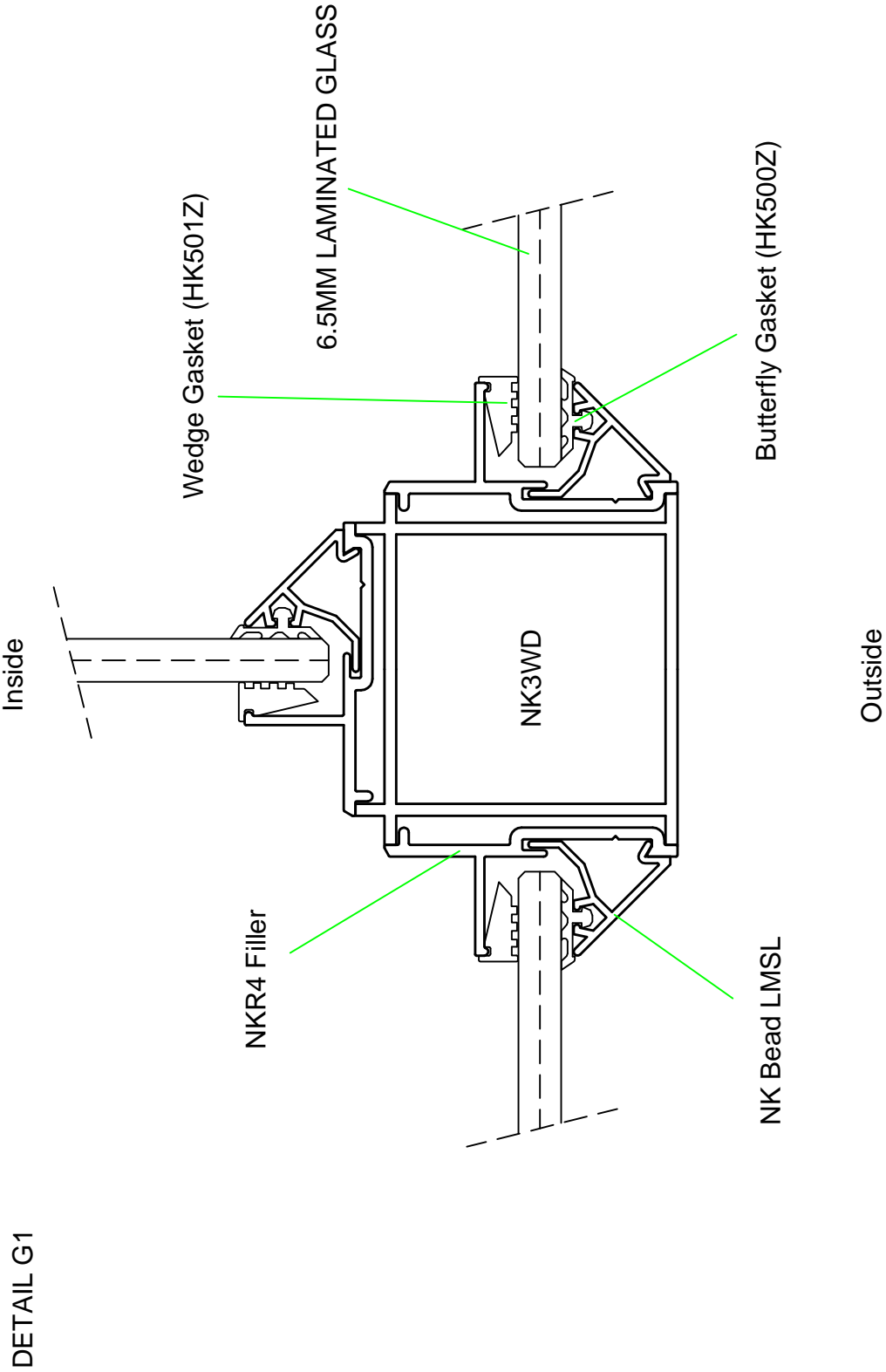
DETAIL A2





DETAIL G1

THREE WAY MEETING STILE DETAILS

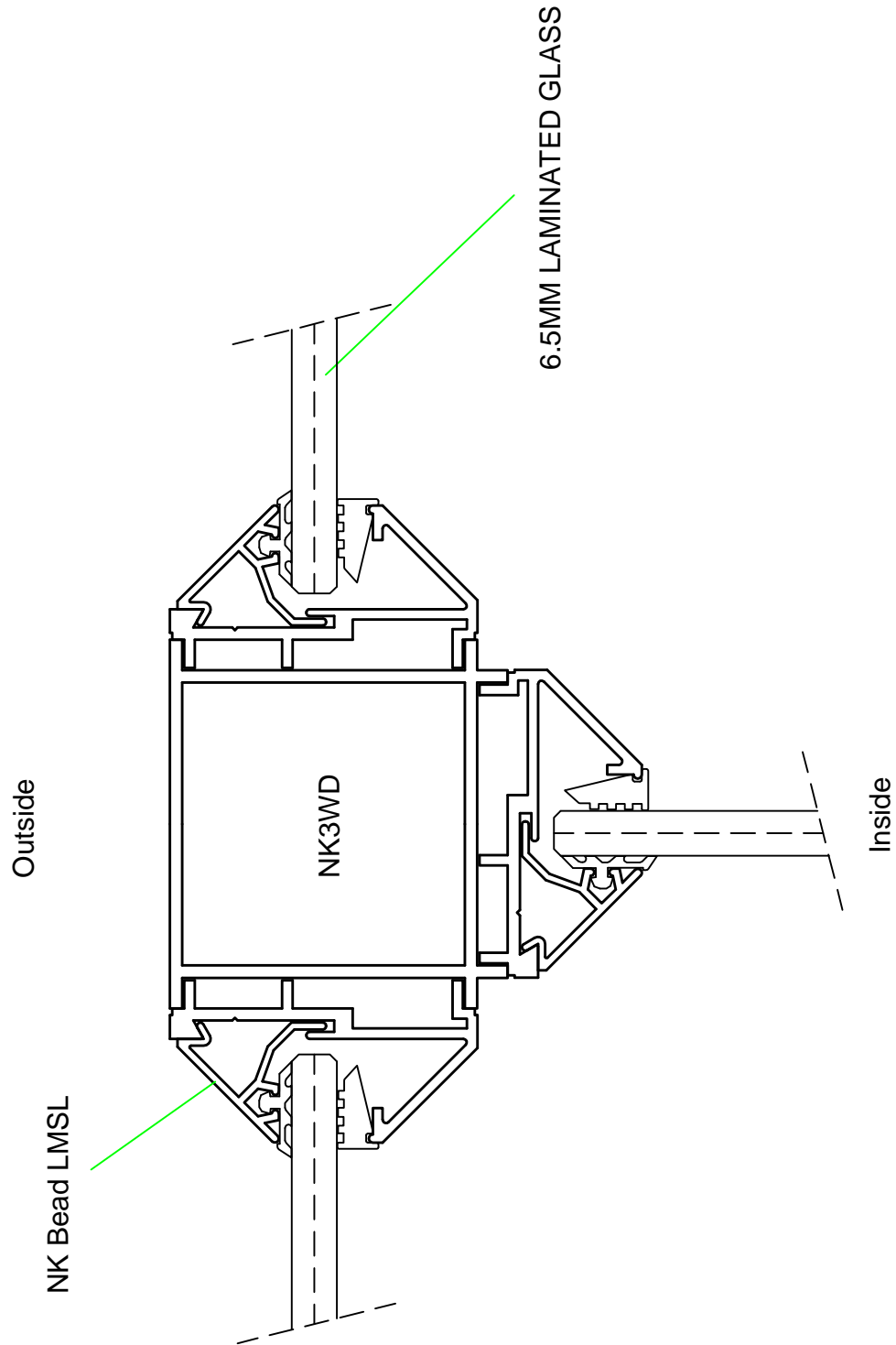


DETAIL G1

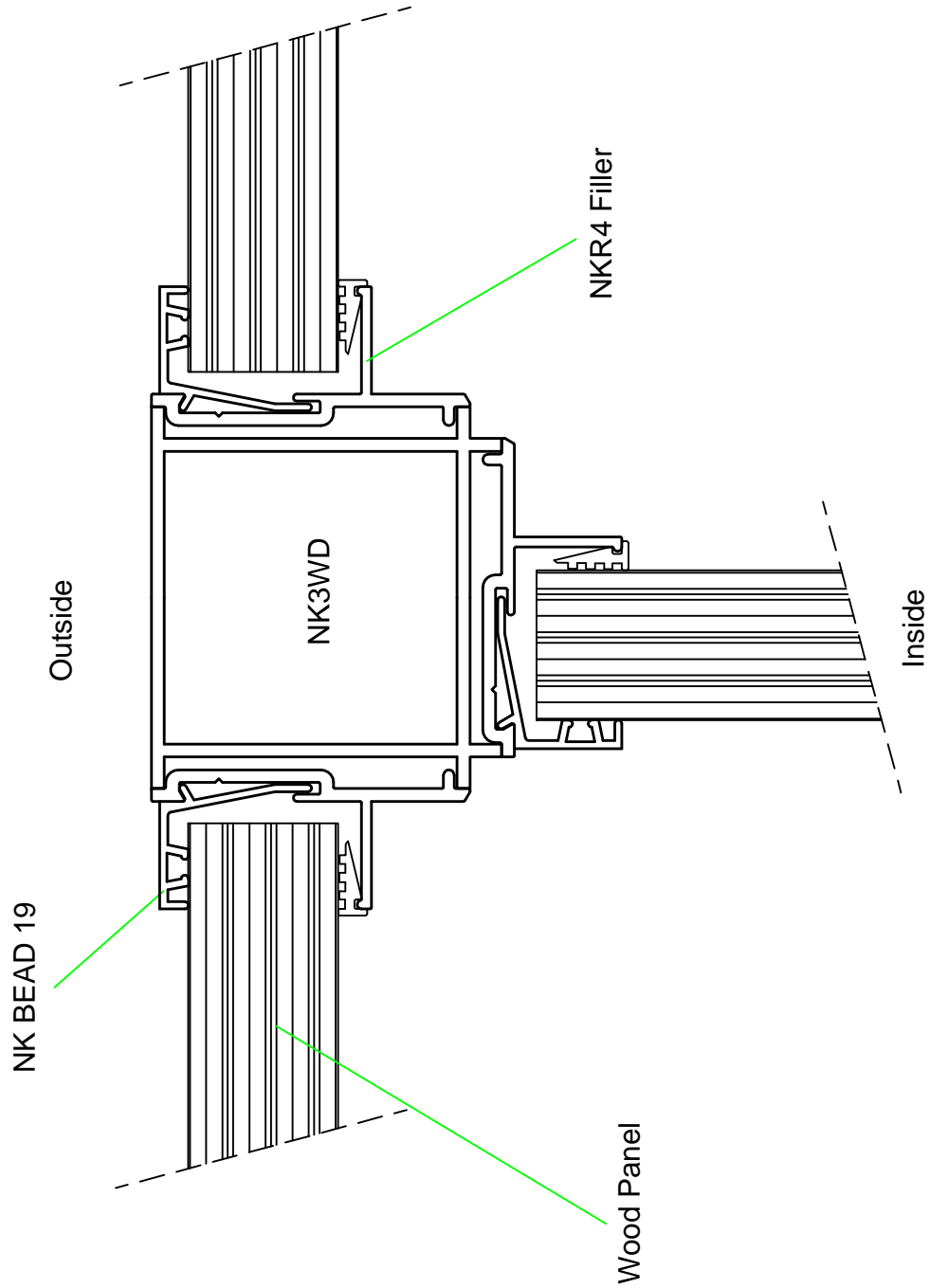
ALTERNATIVE THREE WAY MEETING STILE DETAILS



DETAIL H1



THREE WAY MEETING STILE DETAILS

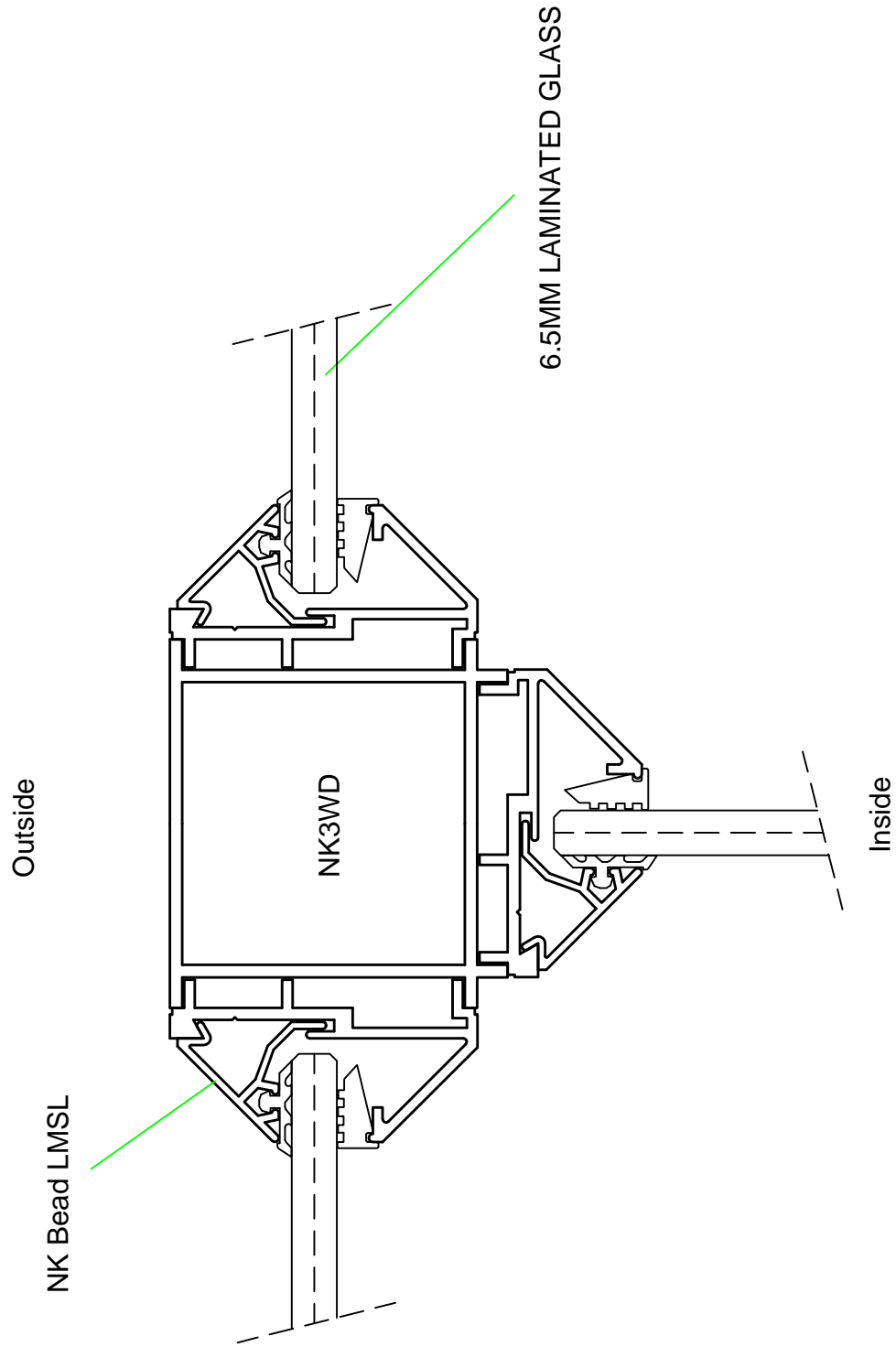


DETAIL H2

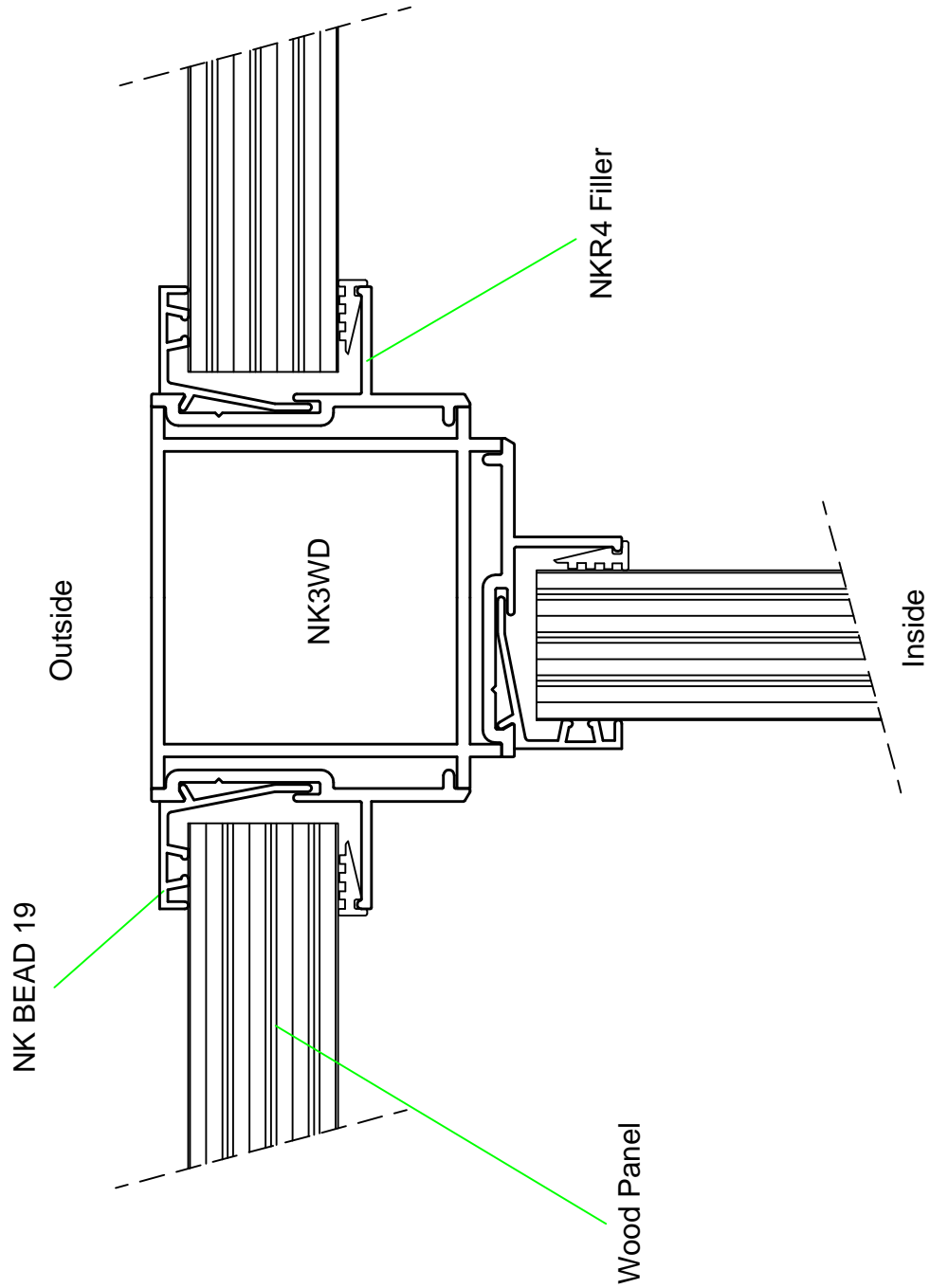
PARTITION DOOR DETAILS



DETAIL H1

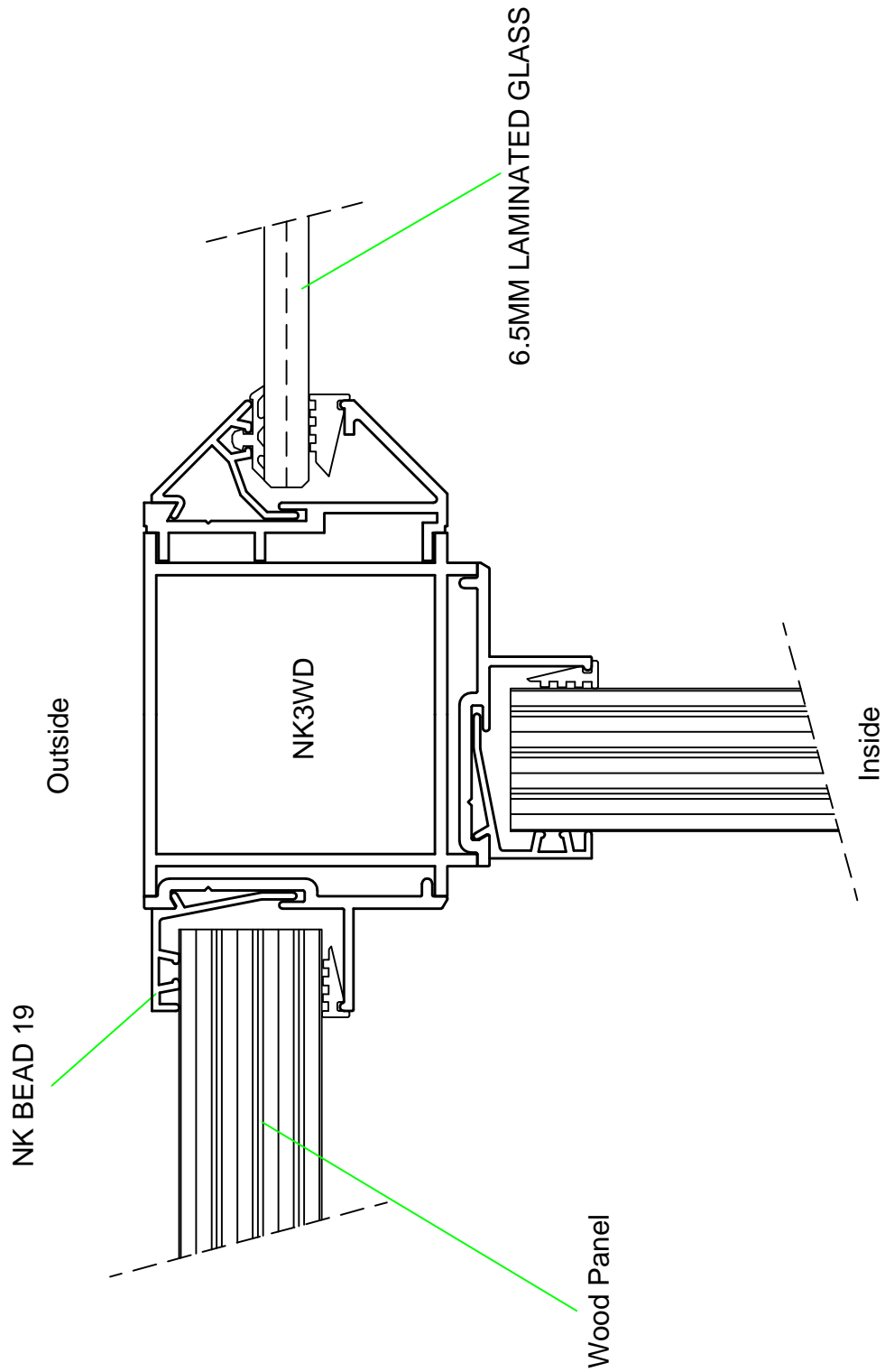


THREE WAY MEETING STILE DETAILS



DETAIL H2

PARTITION DOOR DETAILS

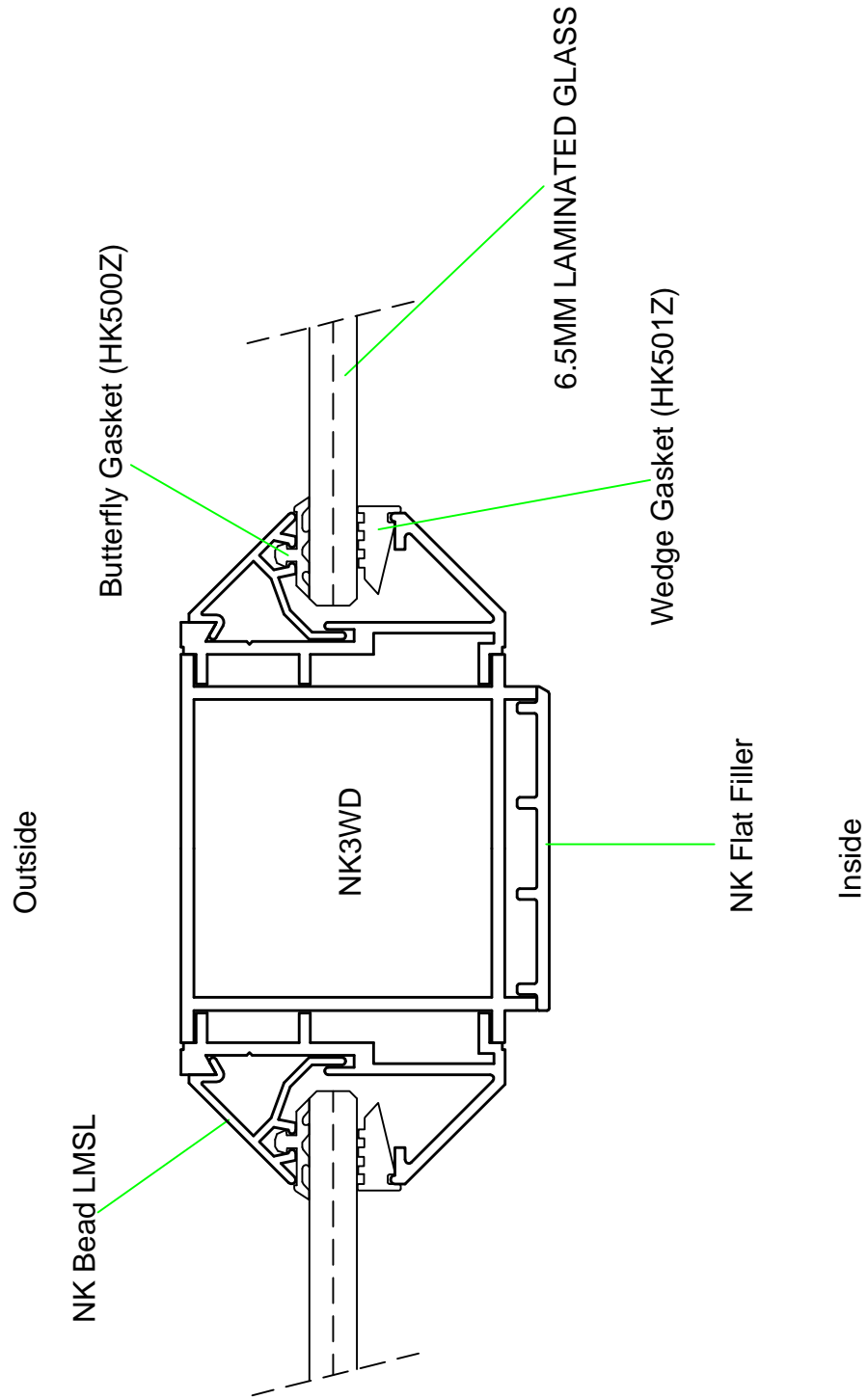


DETAIL H3

PARTITION DOOR DETAILS



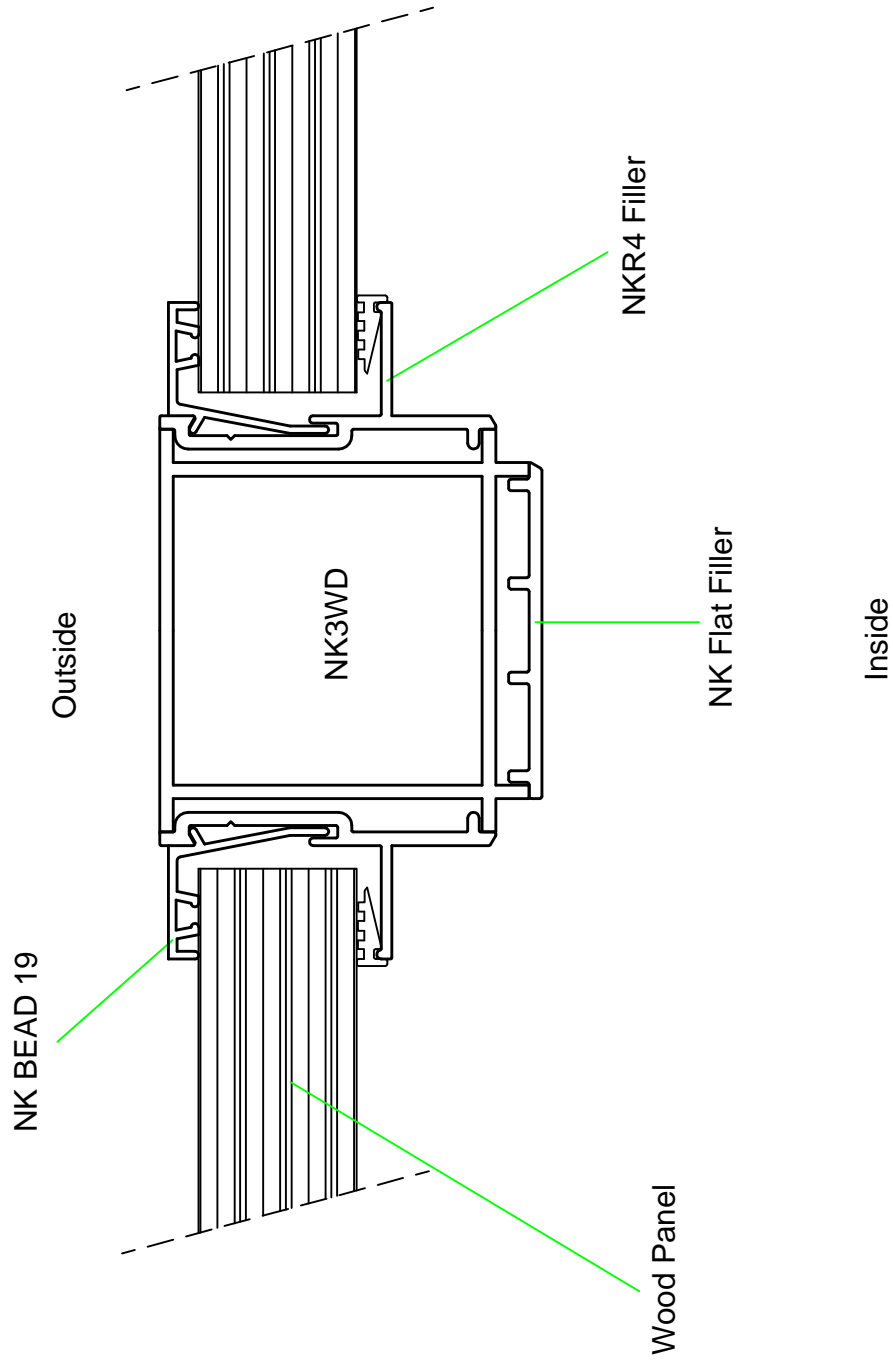
DETAIL I1



THREE WAY MEETING STILE DETAILS



DETAIL H2



PARTITION DOOR DETAILS