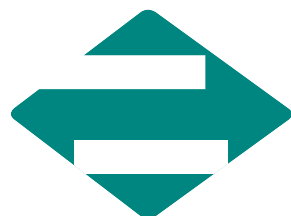


NuKlip

Horizontal Sliding Window

Technical Catalogue



almin

almin metal industries limited

ALMIN PARK
Corner Willowvale & Dagenham Roads
Willowvale, Harare
P O Box ST394
Southerton
Harare
Zimbabwe

Telephones : +263-4-620111/2/6/7/9
Email : tmungure@almin.co.zw
: tmanjeya@almin.co.zw
: customerservice@almin.co.zw
Website : www.almin.co.zw



SECTION ONE

INDEX

PAGE

1. Introduction	1
2. Assembly procedure for OX or XX sliding window	2 - 4
3. Horizontal sliding window system sections	5
4. Horizontal sliding window glazing options	6
5. Double track sliding window types	7
6. Triple track sliding windows types	8
7. OX or XX double sliding window	9 –12
→ OX or XX double slider window horizontal cross section	
→ Alternative OX or XX double slider window horizontal cross section with Low-Rise interlock	
→ OX, XX, OXXO and XXXX double slider window overall vertical section	
8. Interlock horizontal section detail	13
9. Low – Rise interlock horizontal section detail	14
10.XOX double slider window	15-17
11.OXXO double slider window	18-20
12.Meeting stile horizontal section detail	21
13.OX or XX double slider on a shop front	22-25
14.XXX or OXX triple slider window	26-30
15.XXXXXX or OXXXXO triple slider window	31-36
16.OX or XX double slider window with sliding fly screen set on tri-track.....	37-40
17.XXXX or OXXO double slider window with fly screens set on tri-track	41-44



SECTION TWO

INDEX

PAGE

1. OX or XX cutting sizes	46
2. OXXO or XXXX cutting sizes	47
3. Mounting detail for woolpile holder	48
4. Mounting of sash stoppers detail	49
5. Mounting of rollers detail	50
6. Mounting of sliding window catch detail	51
7. Machining of sash slot details	52
8. Inside interlock machining detail for double and tri-slider windows	53
9. Inside interlock machining detail for tri-slider windows	54
10.Outside interlock machining detail for double and tri-slider windows	55
11.Outside interlock machining detail for tri-slider windows	56
12.Machining details for meeting stile for double slider windows	57
13.Machining detail of meeting stile for slider windows	58
14.Machining detail of meeting stile for OXXO or XXXX double slider window with fly screen.....	59



Introduction

Few Sections

The wrap-around design used for the NuKlip Horizontal Sliding Window System, means that a standard OX or XX slider consists of only four different sections : Outer Frame, Sash, Interlock and Glazing Bead.

Fully Integrated

Uniquely, the NuKlip Horizontal Sliding Window is designed to integrate with the NuKlip Shop Front System. The double slider version fits onto an NK26 or NKR7 in the same manner as a NuKlip Reversible Pivot Window.

Glazing

The system is designed to accept glazing thicknesses up to 6.5mm. Structurally, the window sliding leafs can be manufactured up to 1500x1800mm making for a 3000x1800mm OX or XX sliding window or a 6000x1800mm OXXO sliding window.

Accessories

- Rollers used are rated to 20kg static load. They can however, be connected in pairs to accommodate the weight of for instance 1500x1800mm sliding leafs with 6.5mm laminated glass.
- The Catch is made of Injection Moulded Plastic. Currently supplied in black color only. Plans are underway to supply a full metal version by 2003.
- The Cleating system available is currently the 5mm NuKlip HSG12 Cleat for crimping or the Jungle Cleat System for which the Jungle Cleat Tool is required. For best quality, we recommend the Jungle Cleat System®.

Assembly procedure for OX or XX Sliding Window
(using the Jungle Cleat System and 6.5mm laminated glass)

Assembly is achieved by Mitre cutting the Outer Frame and the Sash sections to make cleated frames. Accuracy in the Mitre cutting is essential to obtain a good result. Attention must be paid to burrs left on the mitre cut surfaces as they will prevent the closing of the corner joints.

Based on the overall window size indicated on your window schedule, Mitre cut the outer frame section (NKHFRZ) accordingly.

1. Calculate the sash (NKHSSAZ) sizes (Refer to page 45 and mitre cut them accurately.)

Sash Width = $(1/2W - 17)$ mm (where W = Outer frame width)

Sash Height = $(H - 35)$ mm (where H = Outer frame height)

Example

Outer frame width = 2400mm

Outer frame height = 1500mm

Sash Width = $\frac{1}{2}(2400) - 17 = 1183$ mm

Sash Height = $1500 - 35 = 1465$ mm

2. Machine/File a slot in all sash frame materials as shown on page 52.

3. Cut the corner cleats in accordance with the cutting sizes specified :

- Cleat for Outer Frame (NKHSFRZ) : 38.5 \pm 0.5 mm.
- Cleat for Sash (NKHSSAZ) : 15.0 \pm 0.5 mm.

In this example we use 5mm Jungle Cleat System type for the Outer Frame and the Sash frames.

4. Insert wool pile (6.7 * 550) into the sash frame materials. Refer to pages 10 - 12. Make sure the wool pile is terminated accurately.
5. Insert sash stoppers (HG063Z) into the correct Sash side sections. Mount the sash stoppers on centre of sash side sections with 15mm long self tapping screws. Refer to pages 10 -11 and 49.
6. Insert sliding window rollers (HG063Z) into the correct Sash Frame materials and mount them after assembling the sash frames. Refer to pages 12 and 50.



Assembly procedure for OX or XX Sliding Window (cont)

7. Assemble the sash frames using the jungle cleats. **(NB: APPLY SILICONE SEALANT ON THE MITRE CUT SURFACES BEFORE ASSEMBLING TO MAKE THE JOINTS WATER PROOF).**
8. Cut the two pieces of the interlock (NKHSILZ) to the same length as that of the sash frame height.
9. Machine the interlocks. Refer to pages 53 and 55.
10. Fix the interlocks to the sash frame with two by 3.5 * 35mm self tapping screws as shown on pages 13 and 14.
11. Fix the Sliding window catch (TL073B) to the interlock. Refer to pages 13 – 14 and 51.
12. Insert wool pile (6.7 * 550) into the interlocks as shown on pages 13 and 14. To avoid the wool pile sliding down, use a bit of silicone sealant in the wool pile slot.
13. Calculate the glazing beads sizes. Refer to page 45.

NB: The glazing beads are square cut only.

Top and bottom glazing beads (full width) = Sash width – 76mm
Sides beads = Sash height – 106mm

Example

Sash width = 1183mm
Sash height = 1465mm

Top and bottom glazing beads (full width) = (1183 – 76)mm = 1107mm
Sides beads = (1465 – 106)mm = 1359mm

14. Calculate the sizes of the two pieces of glass (6.5mm laminated glass) required. Refer to page 45.

Glass height = Sash height - 88mm
Glass width = Sash width - 88mm



Assembly procedure for OX or XX Sliding Window (cont)

Example

Sash width = 1183mm

Sash height = 1465mm

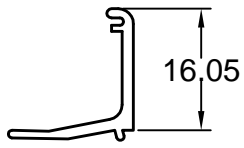
Glass width = $1183 - 88 = 1095\text{mm}$

Glass height = $1465 - 88 = 1377\text{mm}$

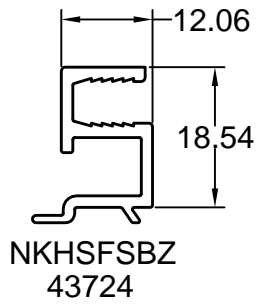
15. Insert butterfly gasket HK500Z into sash frames. Refer to page 6.
16. Place the glasses centrally into the sash frames.
17. Insert glazing beads into the sash frames. Refer to page 6
18. Finish glazing the sash frames by inserting the wedge gasket (HK503Z) into the glazing beads. Refer to page 6.
19. Assemble the bottom and the side tracks of the outer frame using the jungle cleats.
(NB: APPLY SILICONE SEALANT ON THE MITRE CUT SURFACES BEFORE ASSEMBLING TO MAKE THE JOINTS WATER PROOF).
20. Insert the sash frames into the bottom track.
21. Mount the top track and verify that all mechanisms work and that the lock latches and closes correctly.
22. Cut two pieces of any NuKlip filler section with a 6.7mm wool pile slot as shown on page 48.
23. Mount two pieces of the wool pile filler using silicone sealant in the top and bottom track. Refer to page 48.
24. Leave window for 24 hours to allow all silicone sealant joints to cure before further transportation.



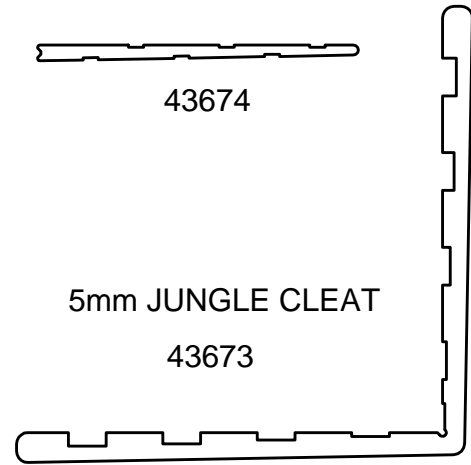
HORIZONTAL SLIDING WINDOW SYSTEM SECTIONS



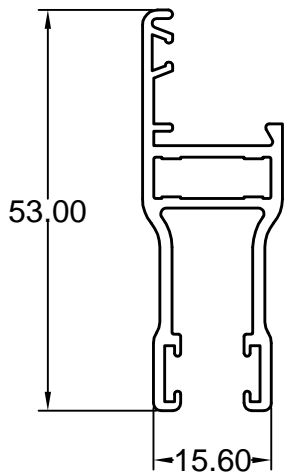
NKHSBDZ
43688



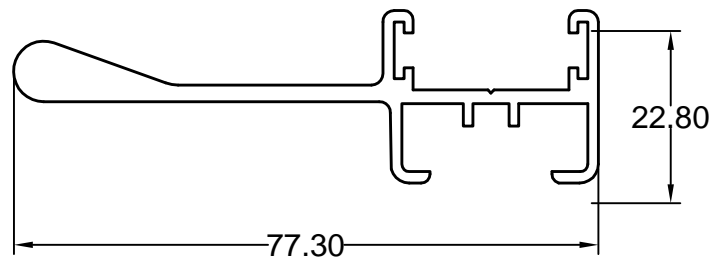
NKHSFSBZ
43724



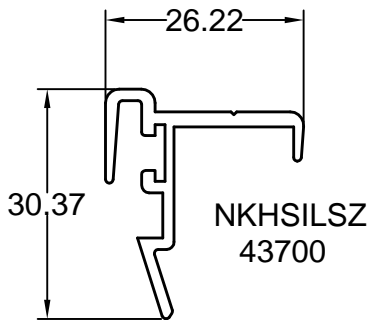
5mm JUNGLE CLEAT
43673



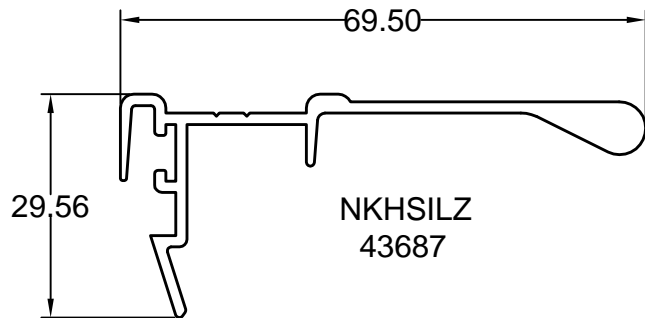
NKHSSAZ
H6804



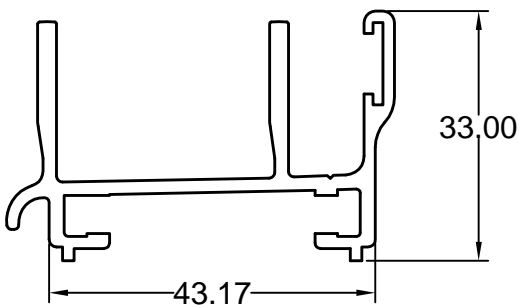
NKHSMSZ
43689



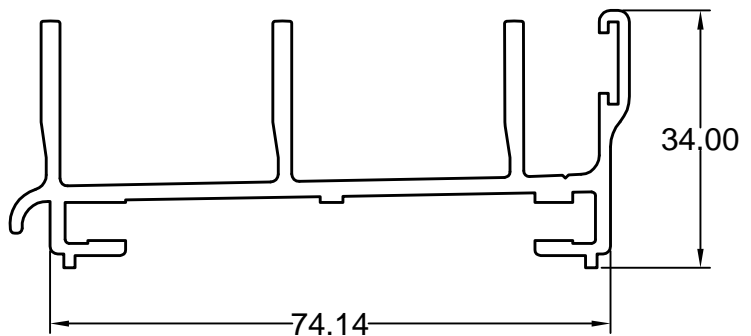
NKHSILSZ
43700



NKHSILZ
43687



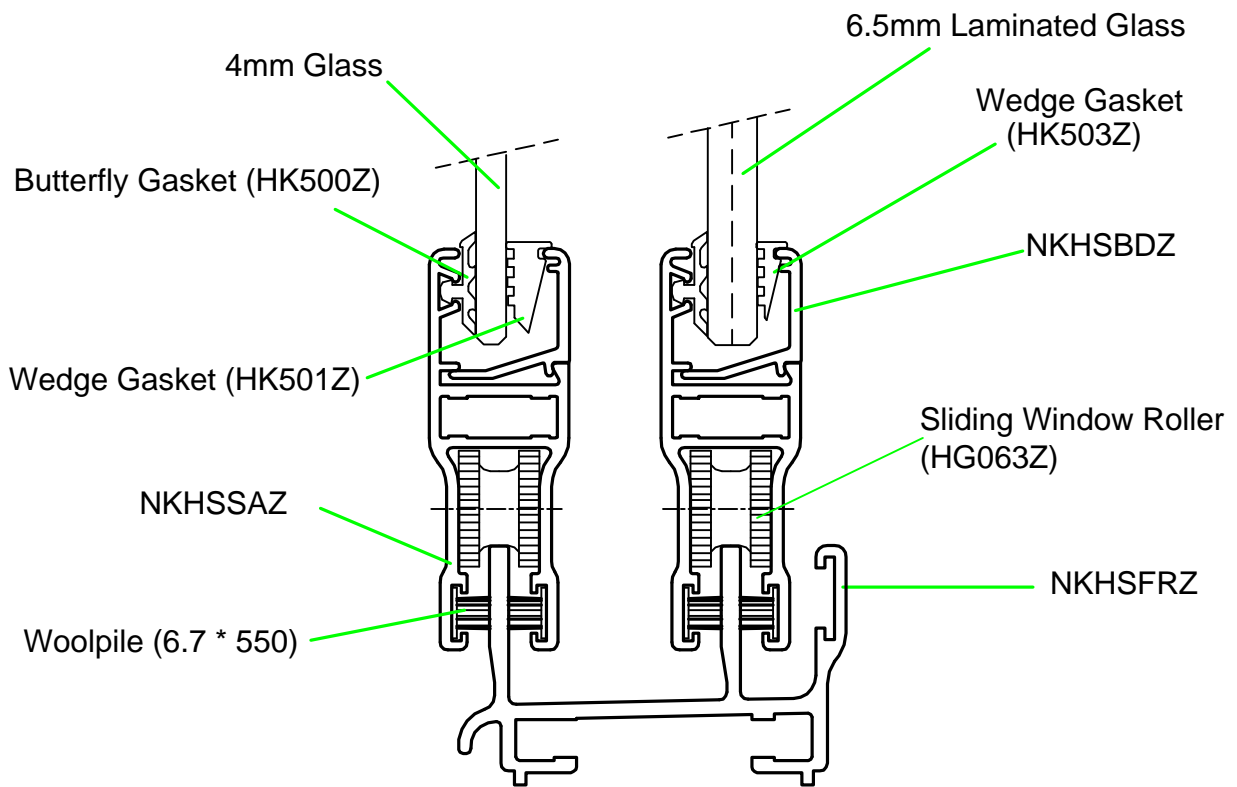
NKHSFRZ
43690



NKHSTSZ
43714

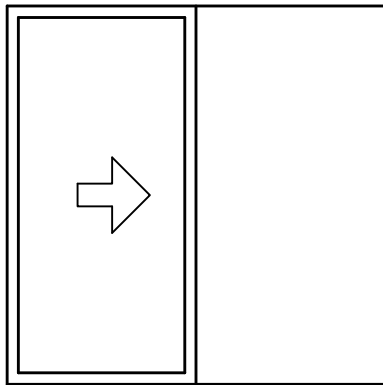


HORIZONTAL SLIDING WINDOW GLAZING OPTIONS

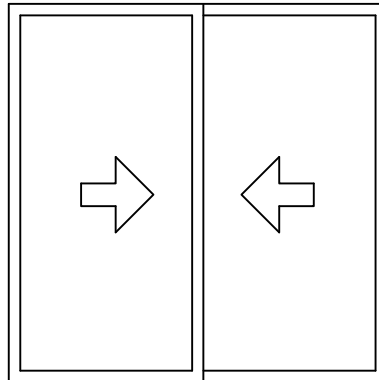




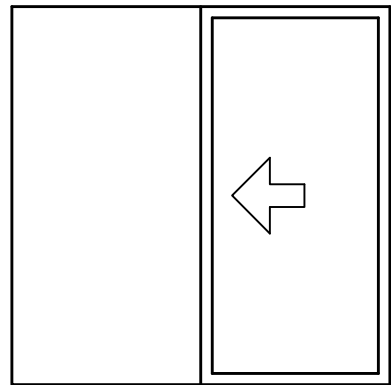
DOUBLE TRACK SLIDING WINDOW TYPES



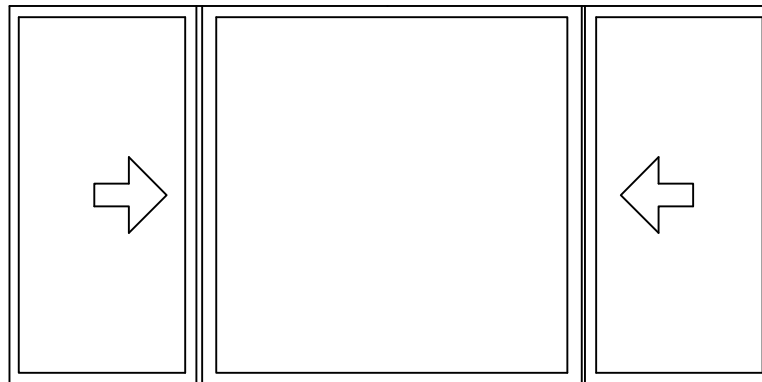
XO



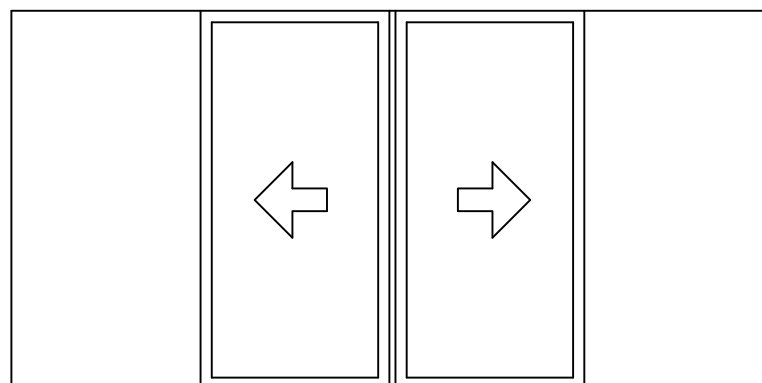
XX



OX



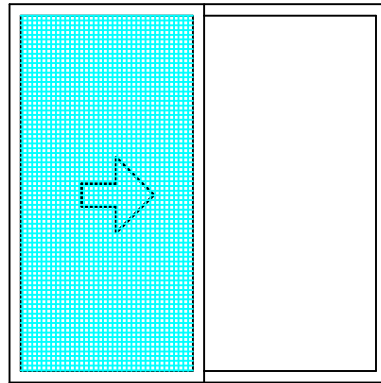
XOX



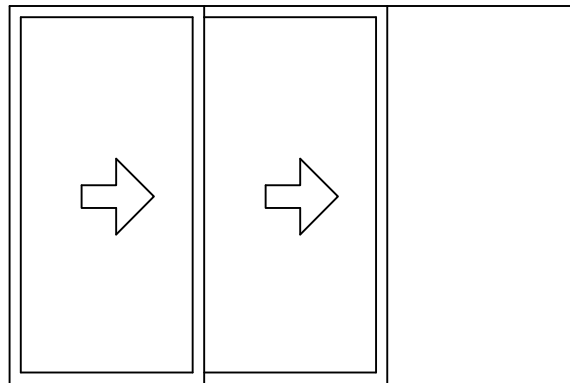
OXXO or XXXX



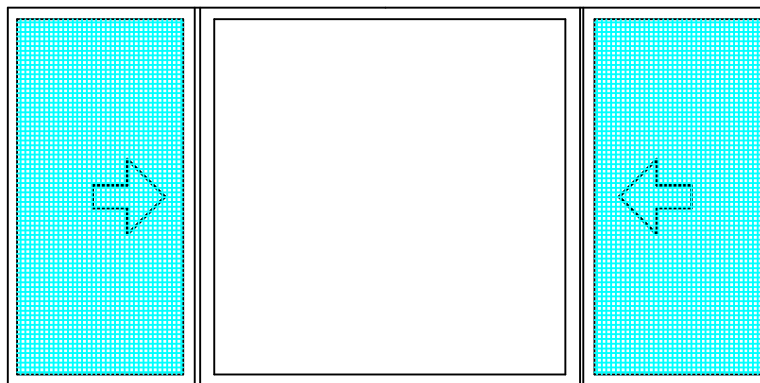
TRIPLE TRACK SLIDING WINDOW TYPES



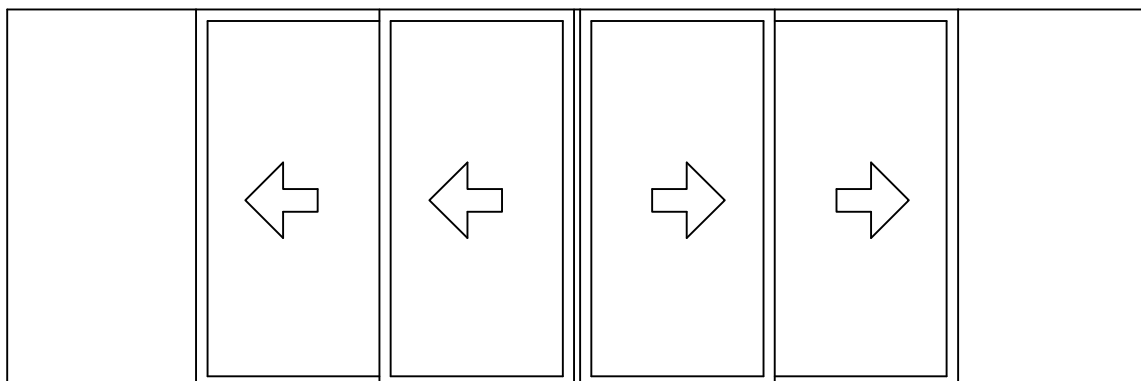
XO WITH FLY SCREEN



XXO or XXX



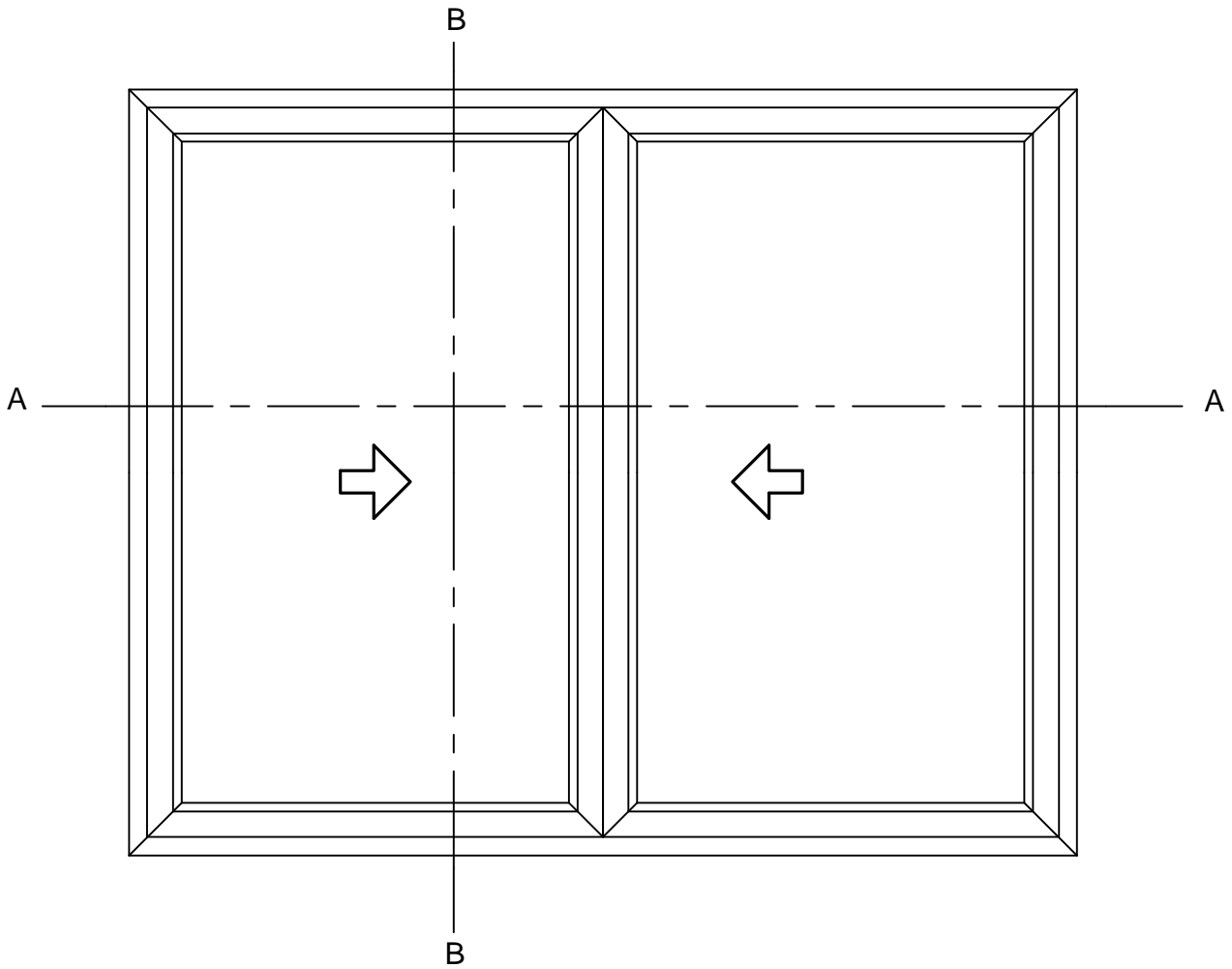
XOX WITH FLY SCREENS



0XXXX0 or XXXXXX



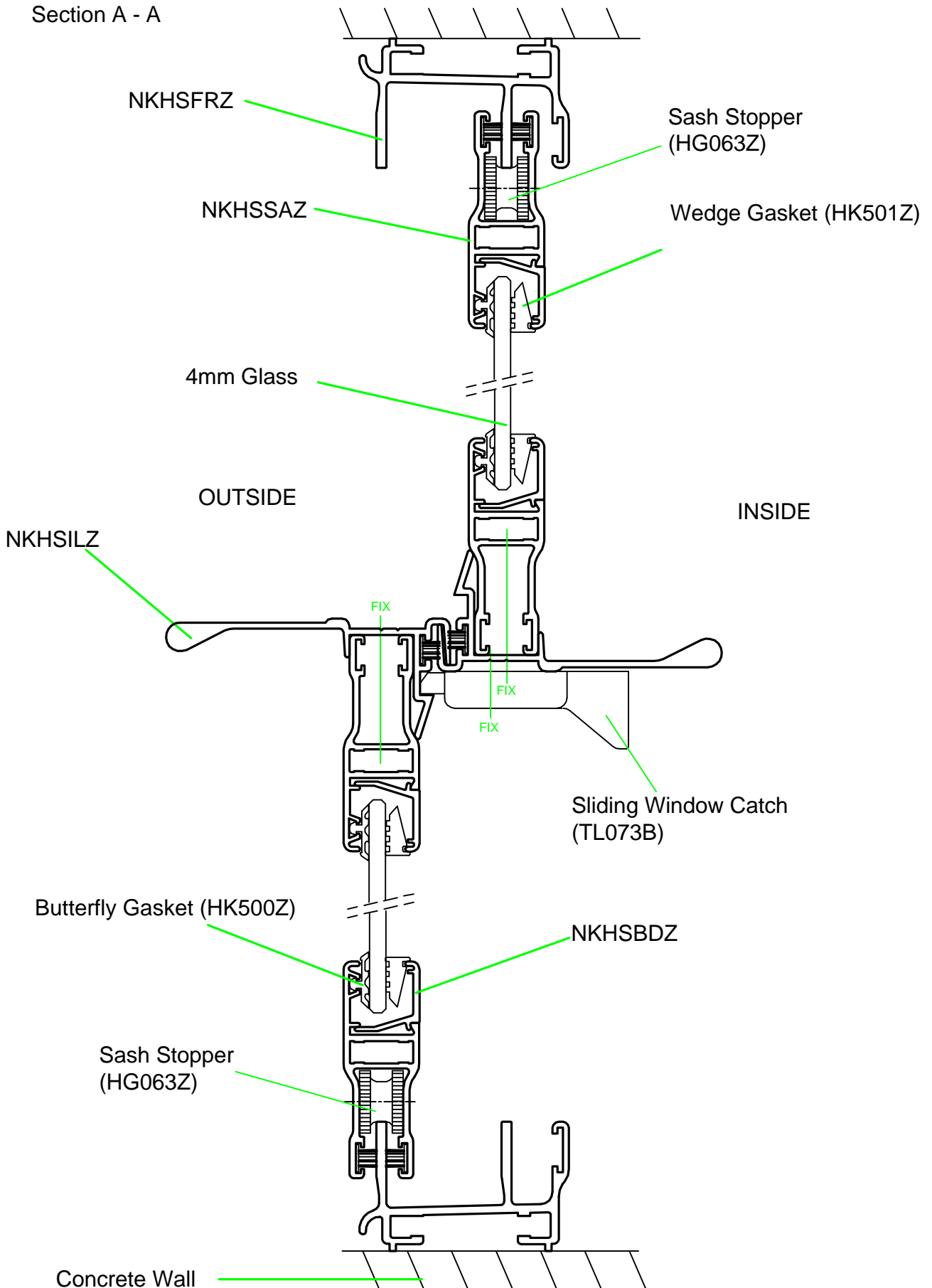
OX OR XX DOUBLE SLIDING WINDOW





OX OR XX DOUBLE SLIDER WINDOW HORIZONTAL CROSS SECTION

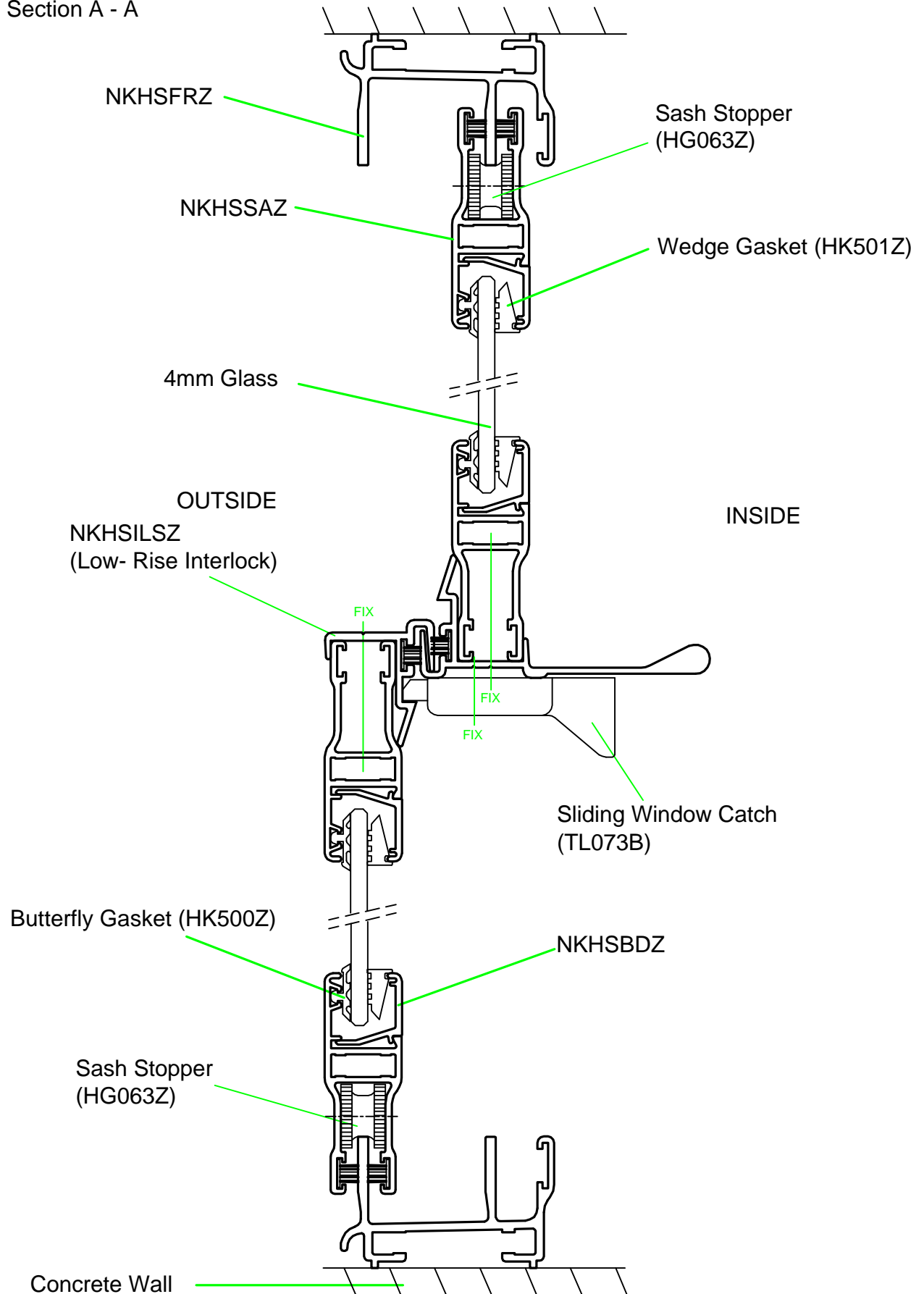
Section A - A





ALTERNATIVE OX OR XX DOUBLE SLIDER WINDOW HORIZONTAL
CROSS SECTION WITH LOW-RISE INTERLOCK

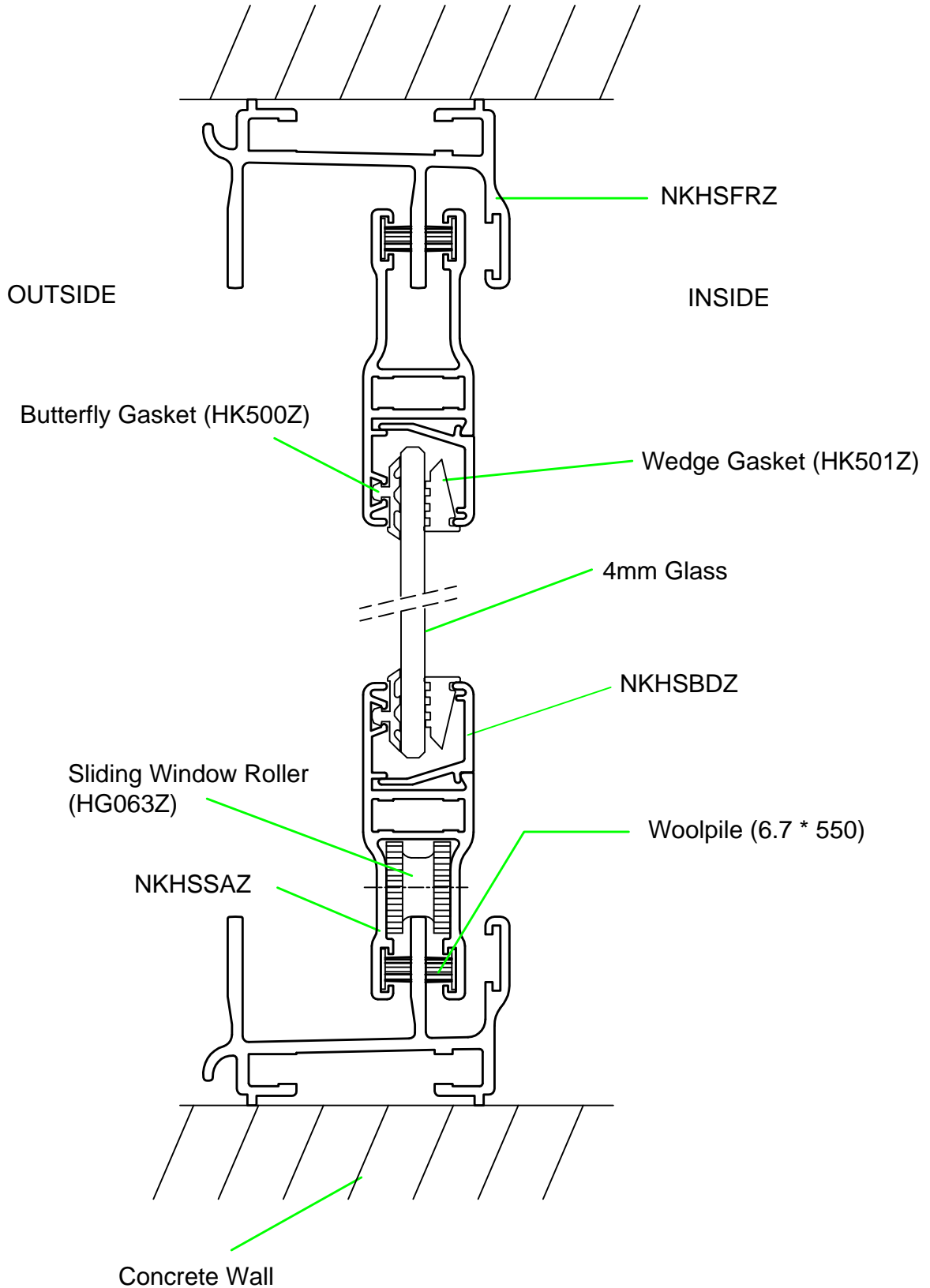
Section A - A





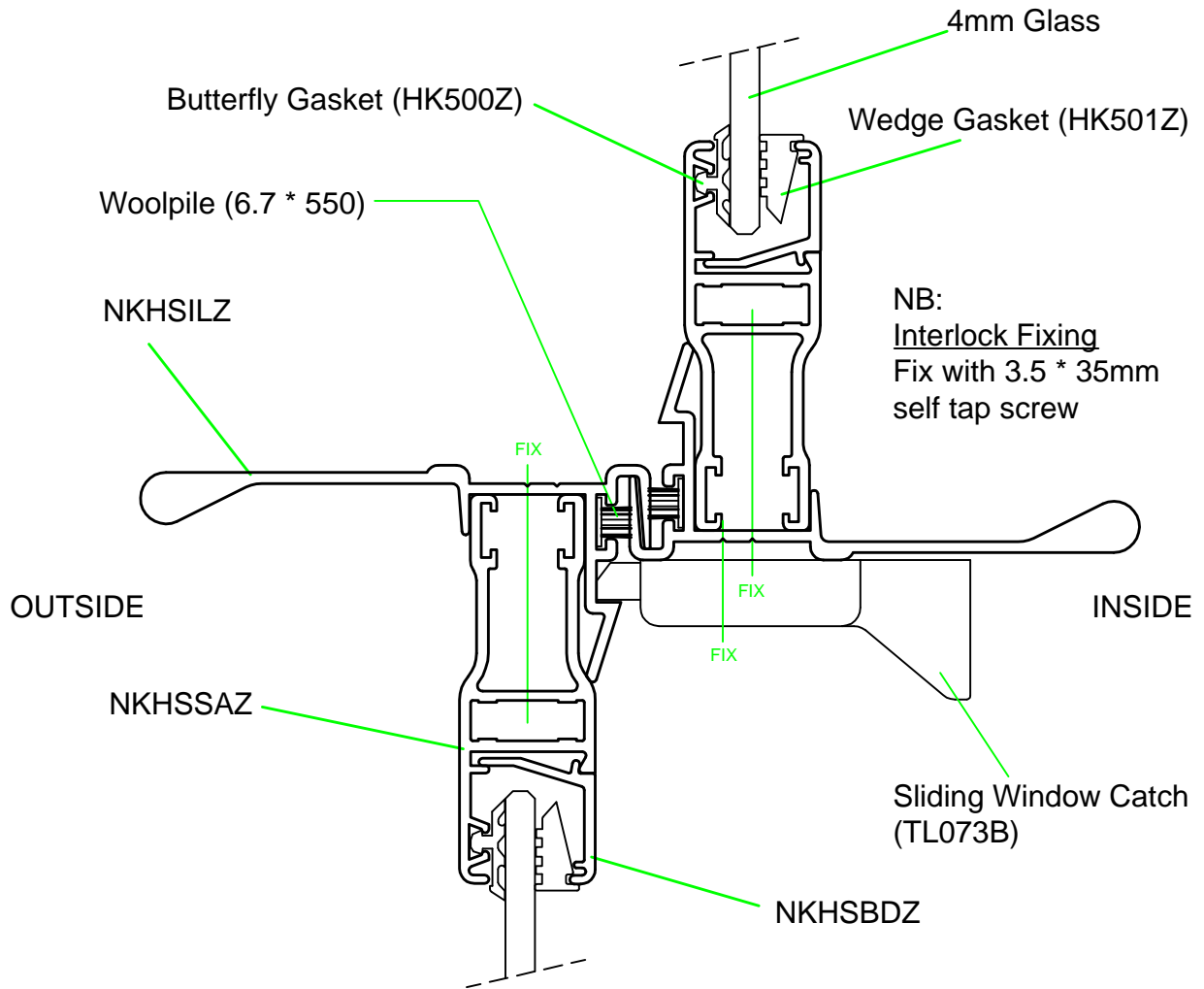
OX, XX, XOX, OXXO AND XXXX DOUBLE SLIDER WINDOW
OVERALL VERTICAL SECTION

Section B - B



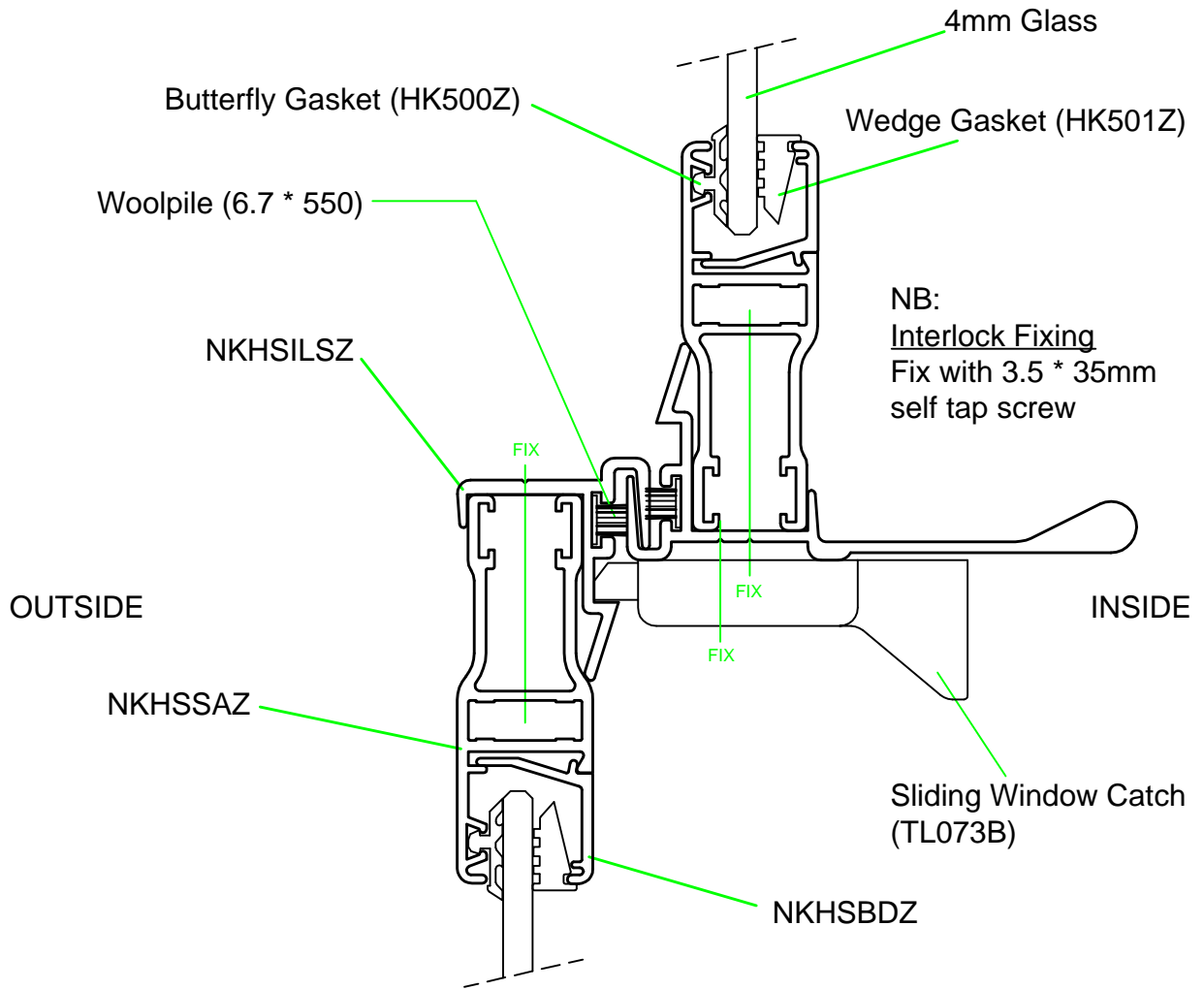


OX OR XX INTERLOCK HORIZONTAL SECTION DETAIL



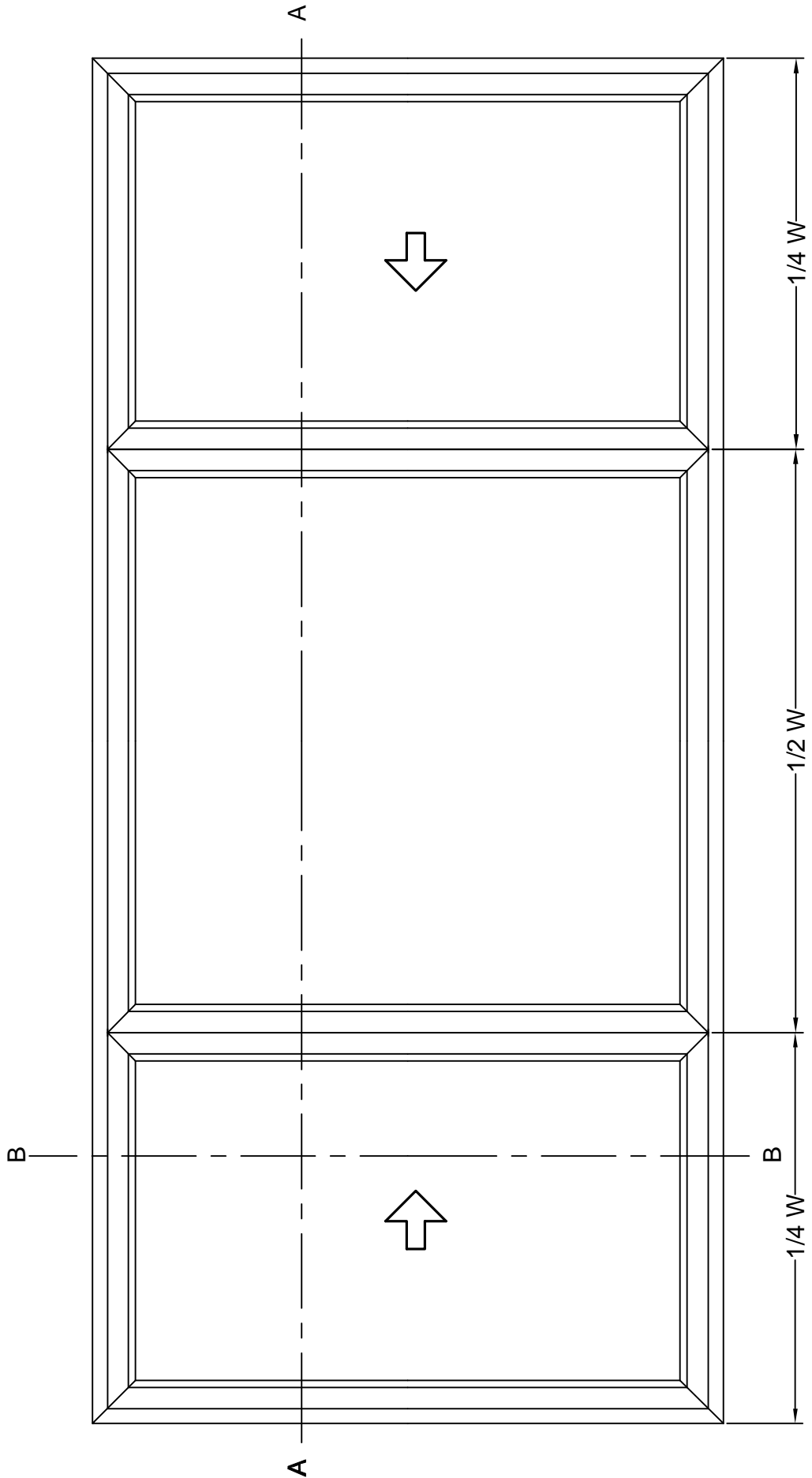


OX OR XX LOW-RISE INTERLOCK HORIZONTAL SECTION DETAIL





XOX DOUBLE SLIDER WINDOW

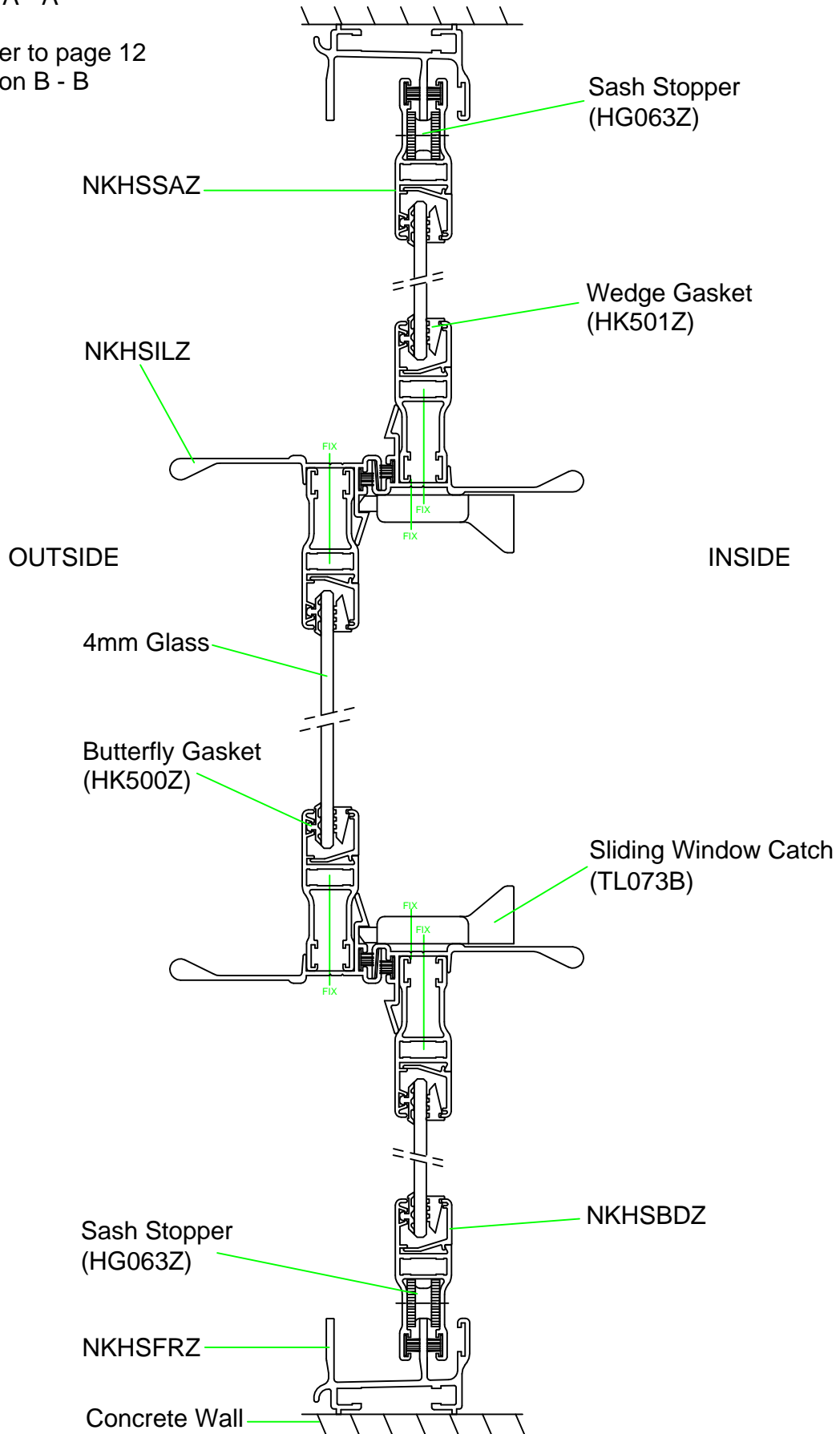




XOX DOUBLE SLIDER WINDOW OVERALL HORIZONTAL SECTION

Section A - A

NB: Refer to page 12 for section B - B

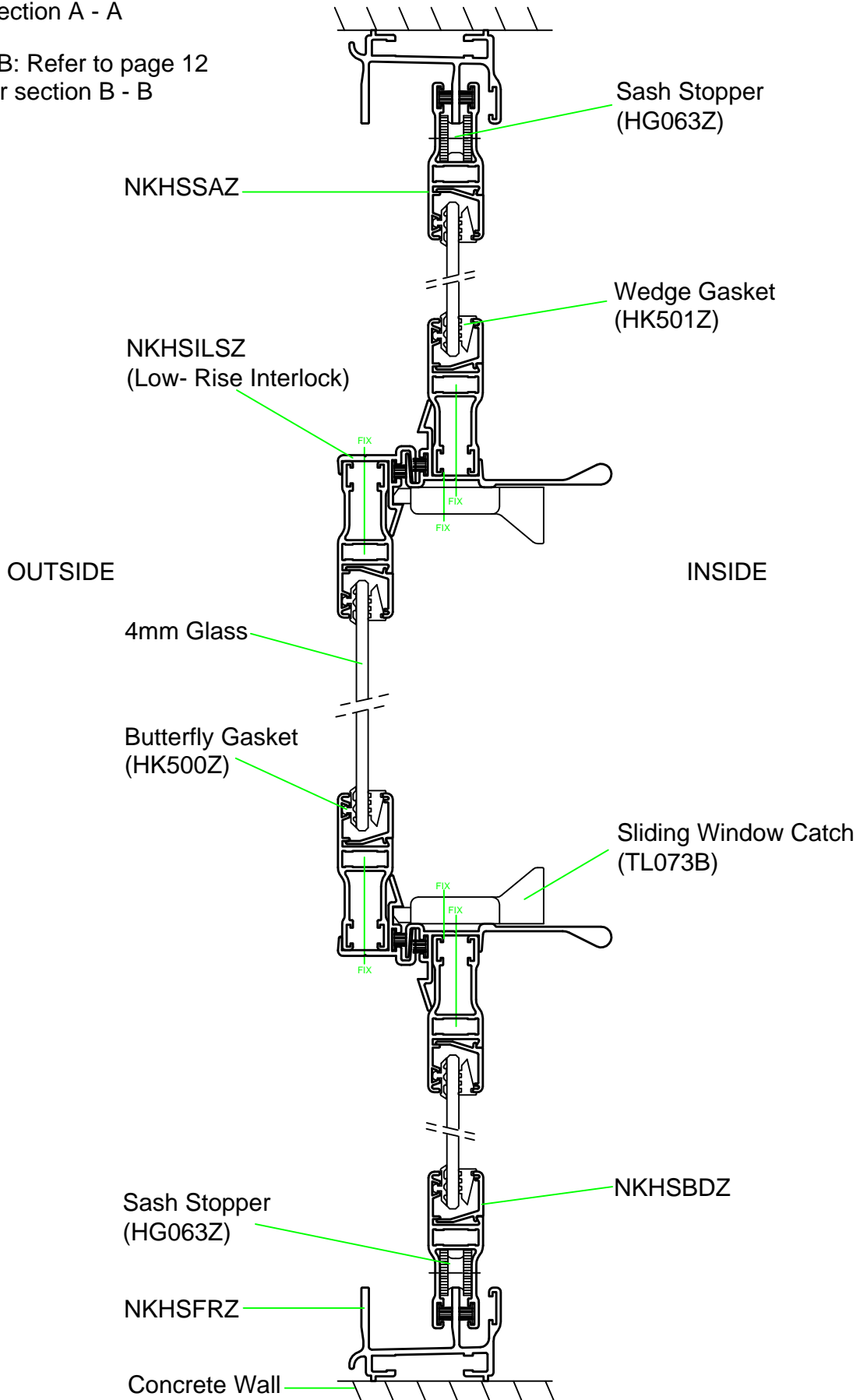




ALTERNATIVE XOX DOUBLE SLIDER WINDOW OVERALL
CROSS SECTION WITH LOW-RISE INTERLOCK

Section A - A

NB: Refer to page 12
for section B - B



OUTSIDE

INSIDE

Sash Stopper
(HG063Z)

NKHSFRZ

Concrete Wall

Sash Stopper
(HG063Z)

NKHSSAZ

Wedge Gasket
(HK501Z)

NKHSILSZ
(Low-Rise Interlock)

4mm Glass

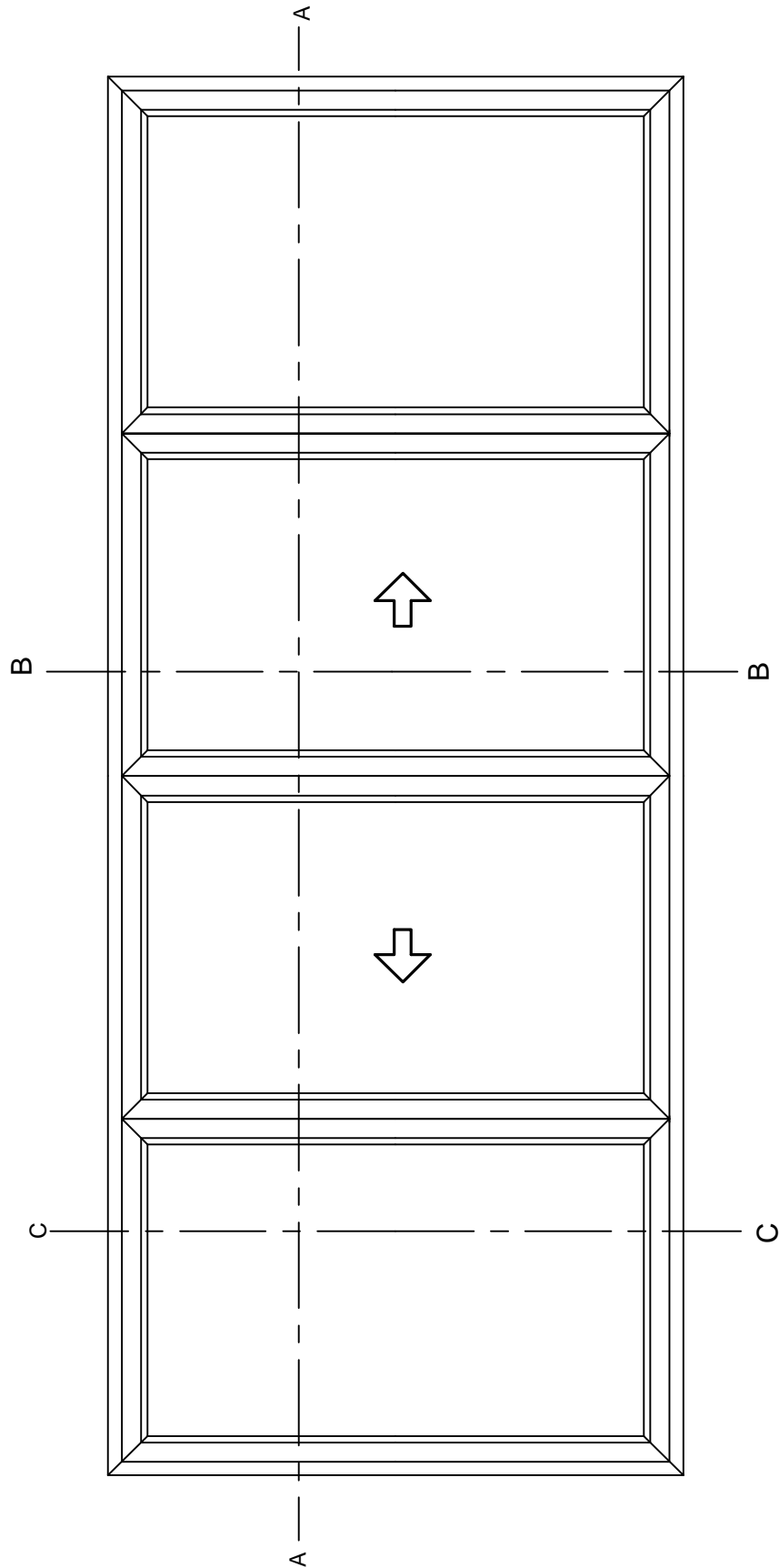
Butterfly Gasket
(HK500Z)

Sliding Window Catch
(TL073B)

NKHSBDZ



OXXO DOUBLE SLIDER WINDOW





OXXO AND XXX DOUBLE SLIDER WINDOW OVERALL HORIZONTAL
HORIZONTAL CROSS SECTION

Section A - A

Sliding Window Roller
(HG063Z)

4mm Glass

NKHSILZ

NKHSFRZ

NKHSSAZ

Sliding Window Catch
(TL073B)

NKHSBDZ

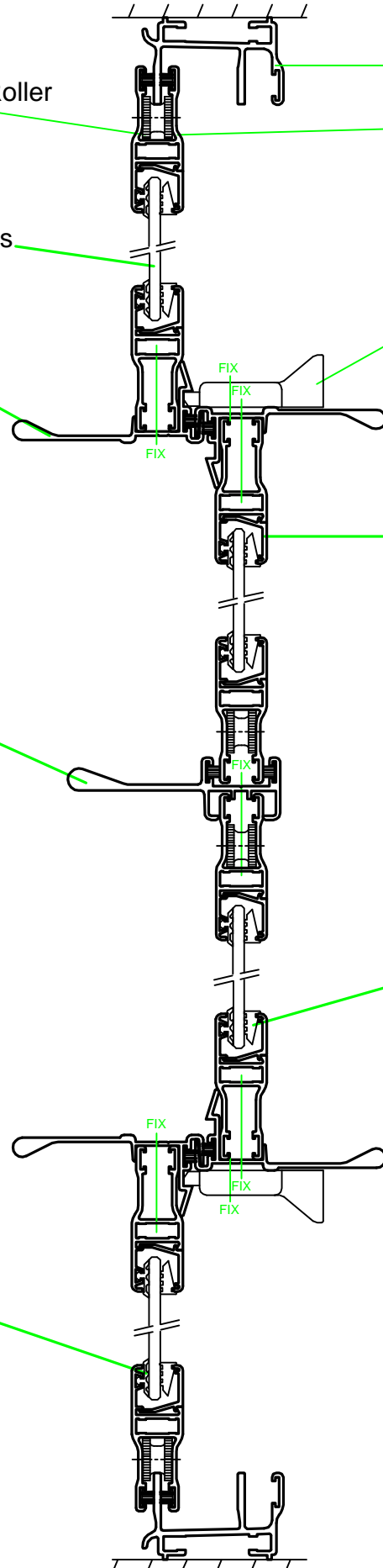
NKHSMSZ

OUTSIDE

INSIDE

Wedge Gasket (HK501Z)

Butterfly Gasket (HK500Z)

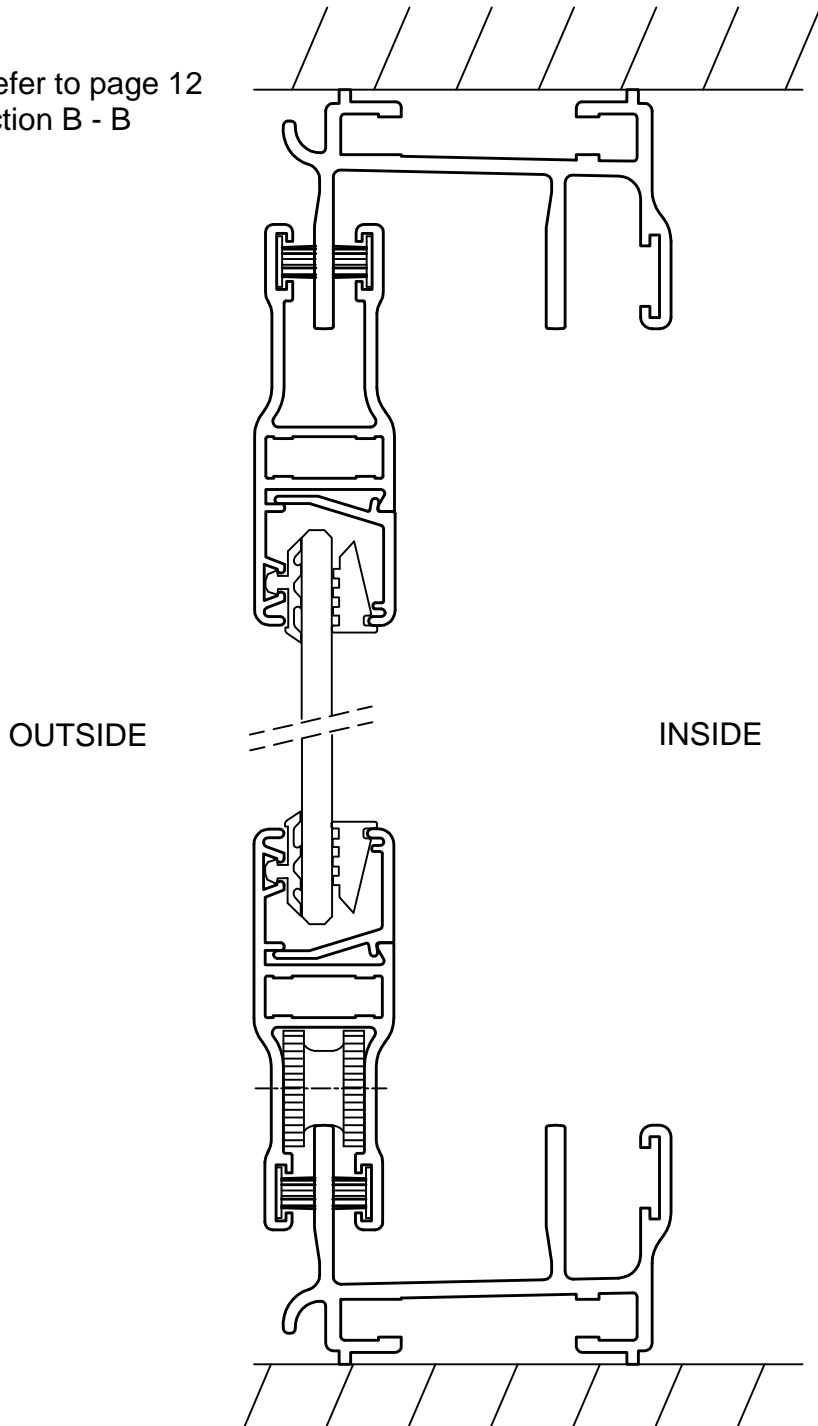




OXXO OR XXXX DOUBLE SLIDER WINDOW
OVERALL HORIZONTAL SECTION

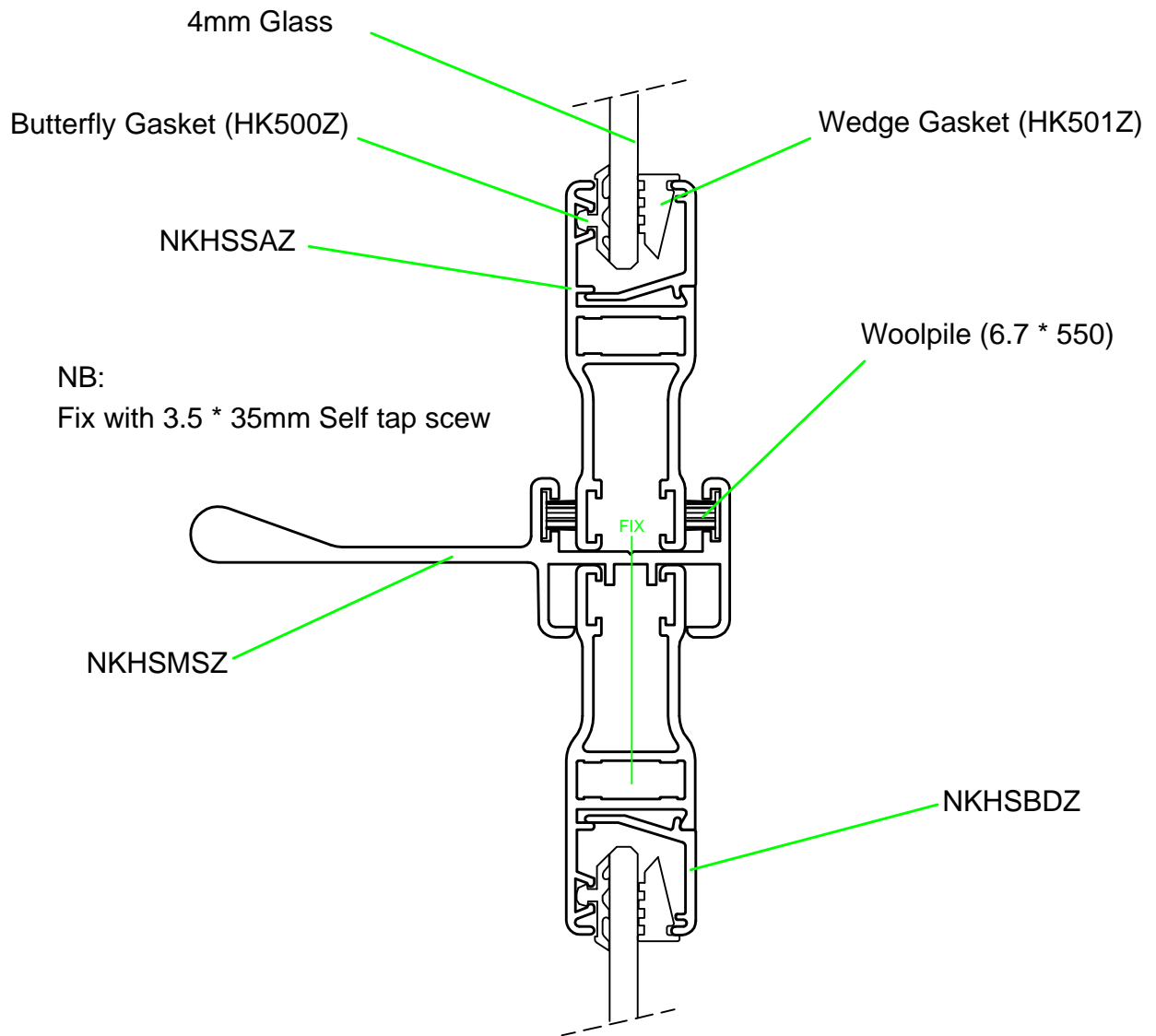
Section C - C

NB: Refer to page 12
for section B - B



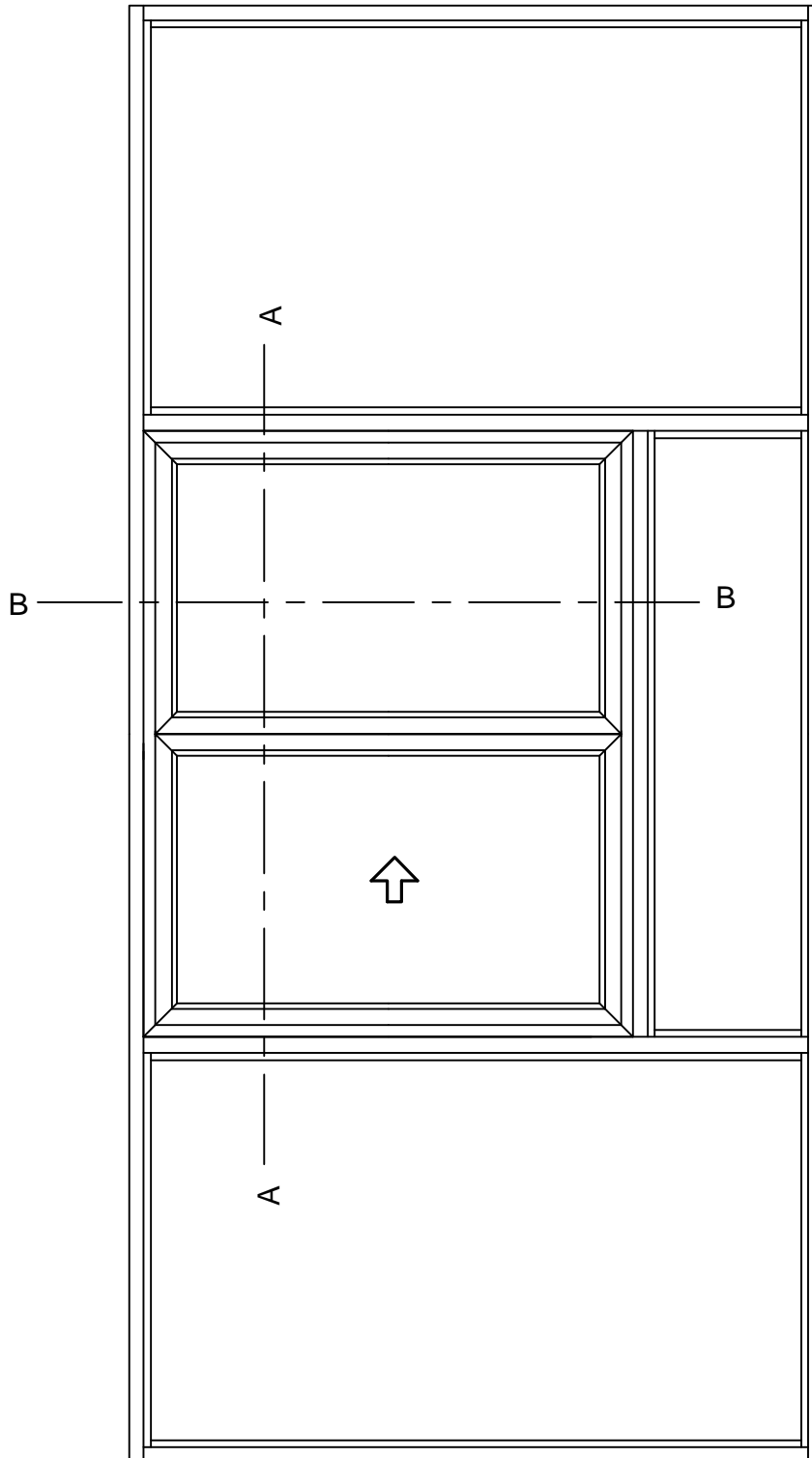


OXXO OR XXXX MEETING STILE HORIZONTAL SECTION DETAIL





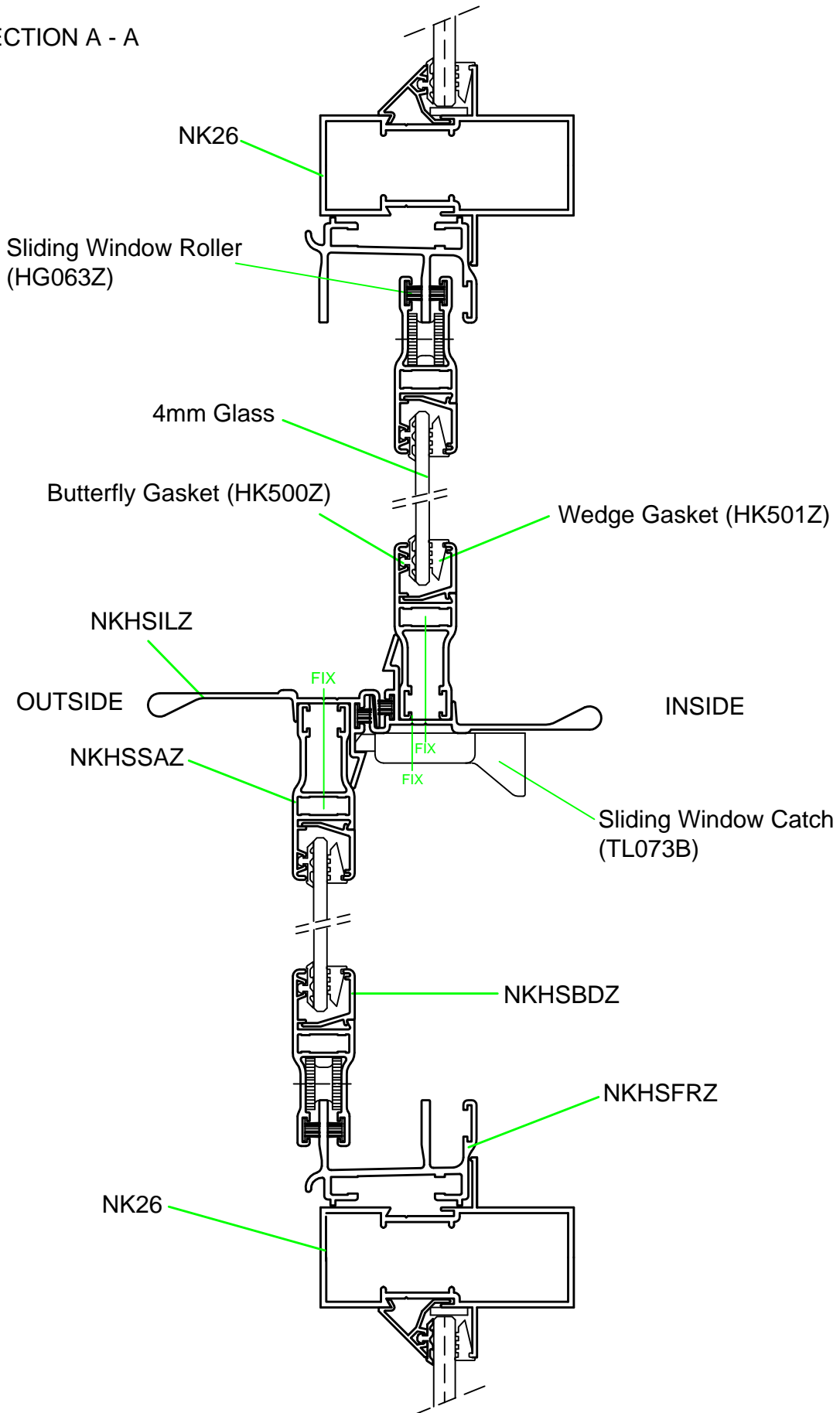
OX OR XX DOUBLE SLIDER ON A SHOP FRONT





OX OR XX DOUBLE SLIDER WINDOW ON SHOP FRONT
HORIZONTAL CROSS SECTION

SECTION A - A



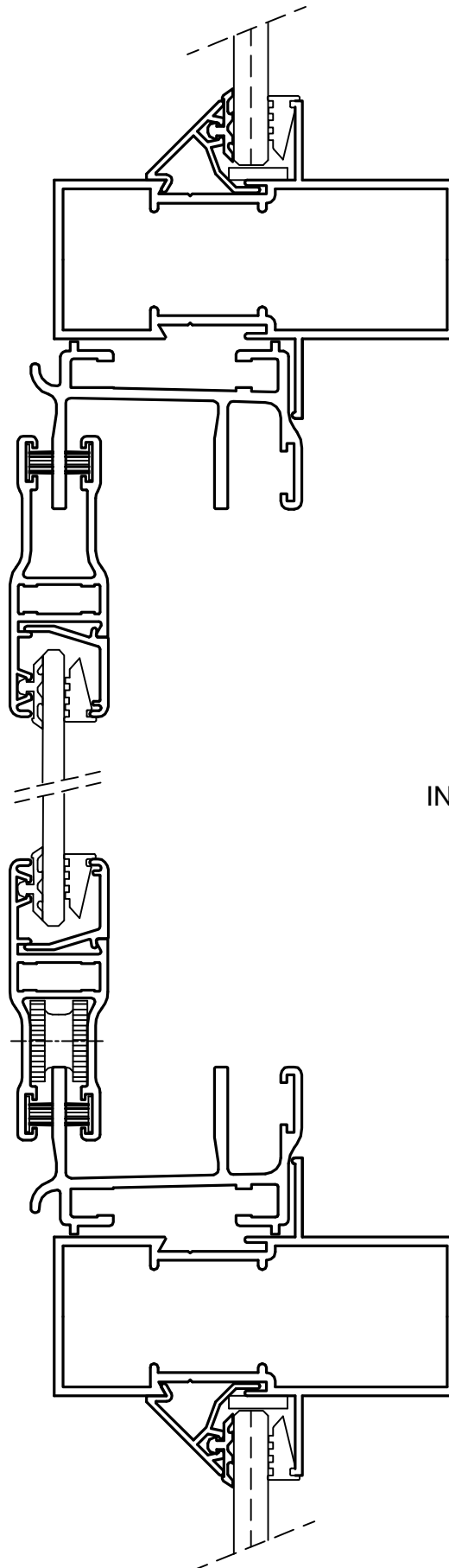


OX OR XX DOUBLE SLIDER ON SHOP FRONT OVERALL
VERTICAL SECTION

SECTION B - B

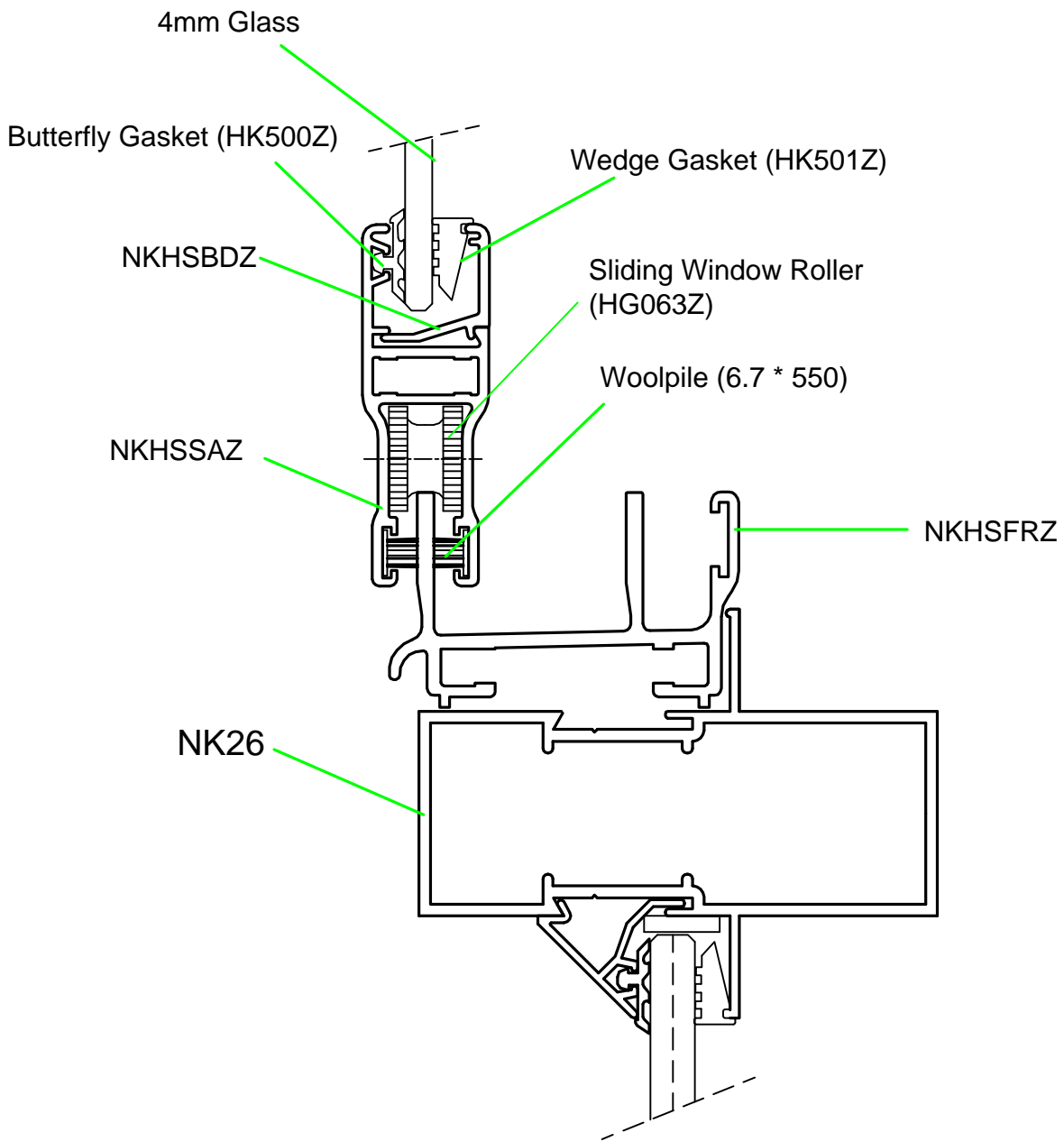
OUTSIDE

INSIDE



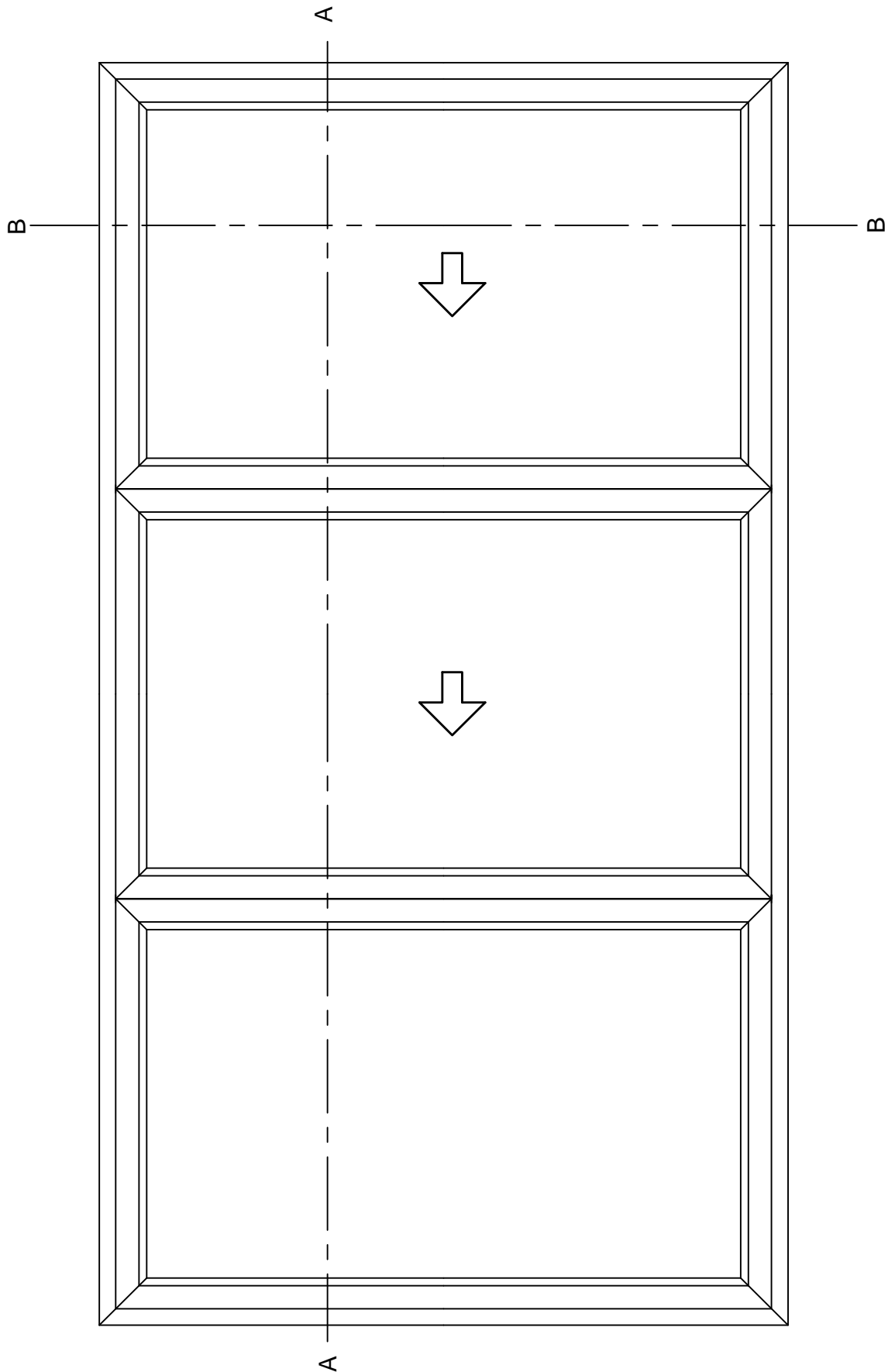


OX OR XX SET ON NK26 TRANSOM



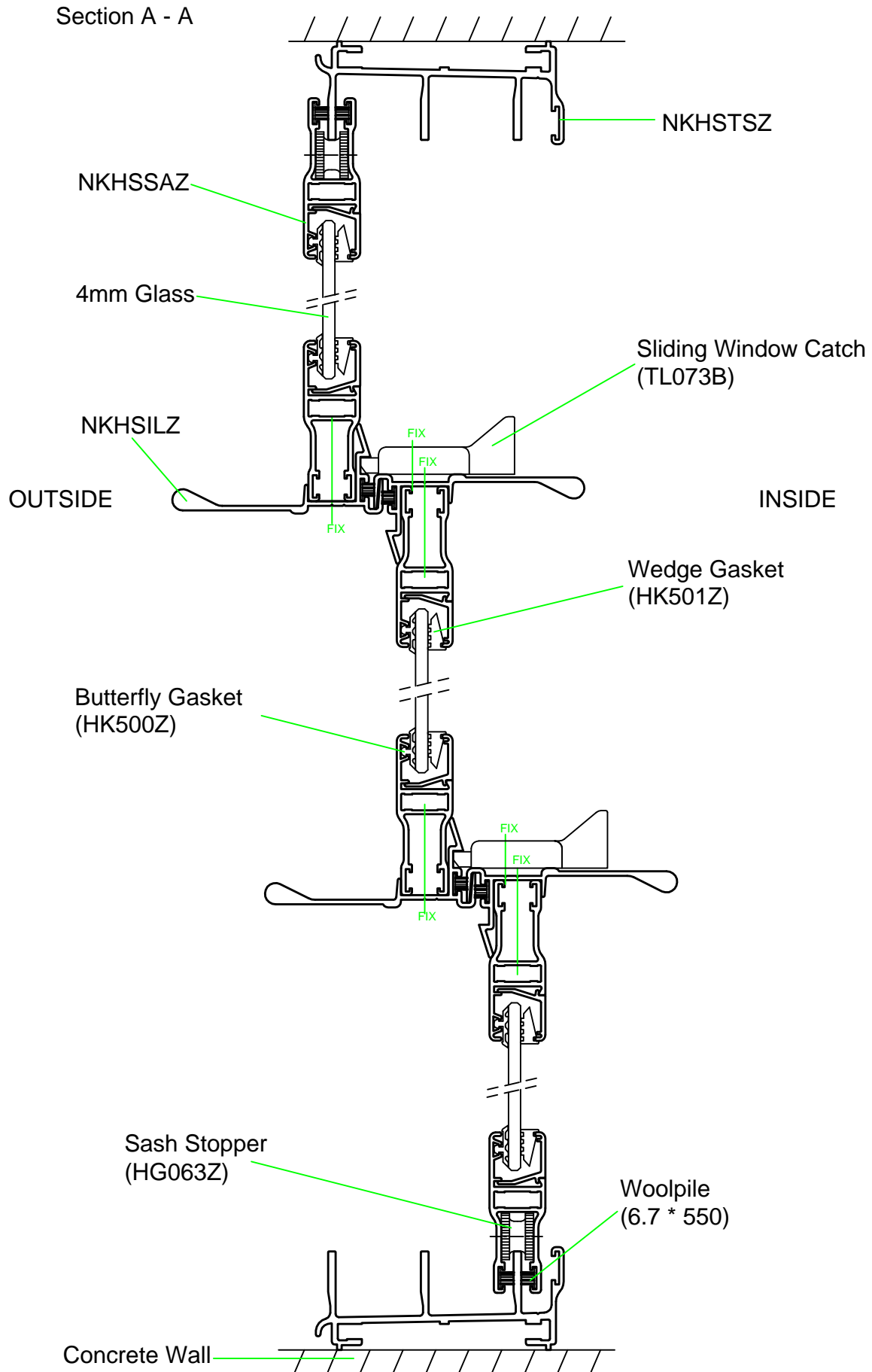


XXX or OXX TRI SLIDER WINDOW



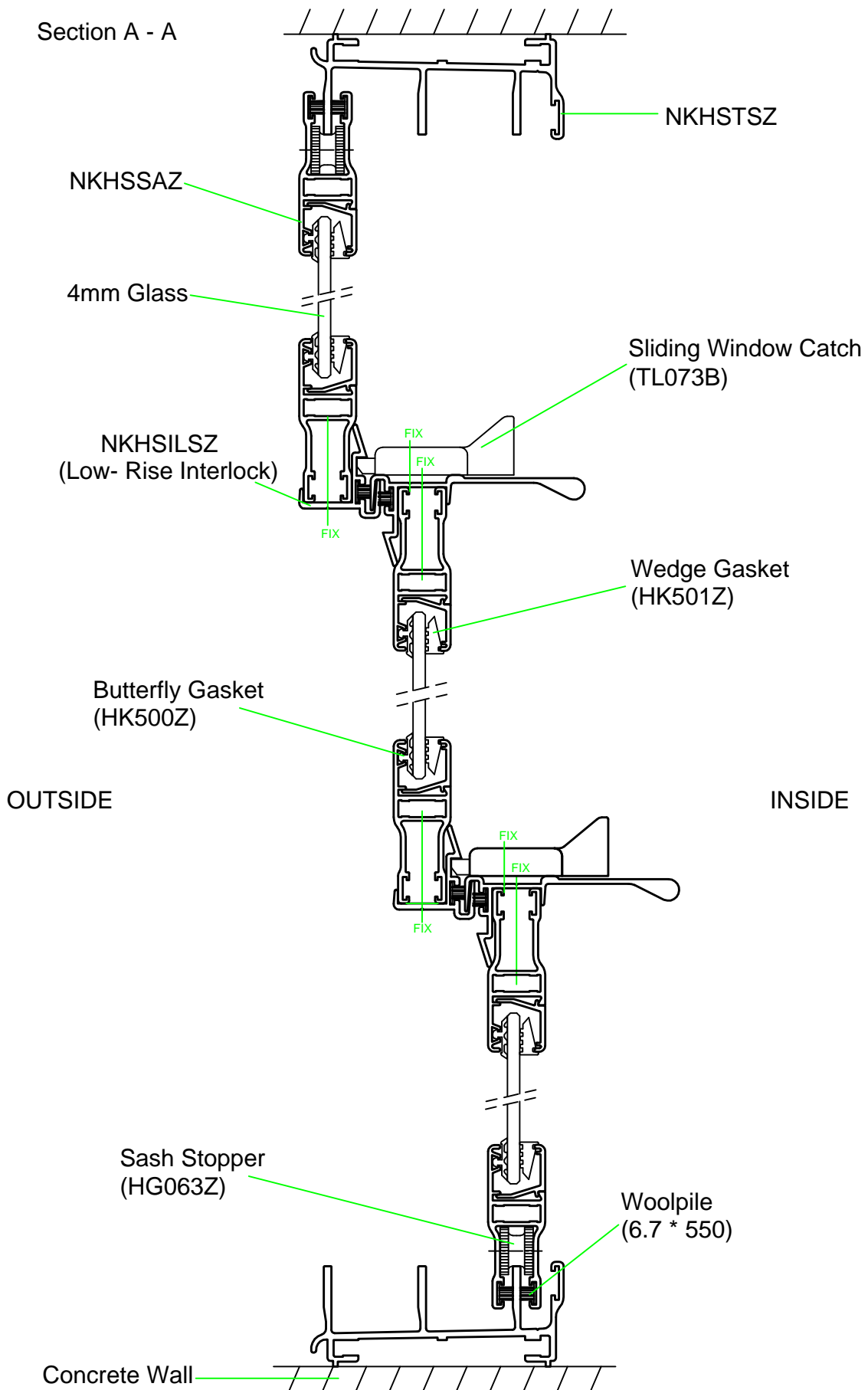


XXX OR OXX TRI SLIDER WINDOW OVERALL
HORIZONTAL CROSS SECTION





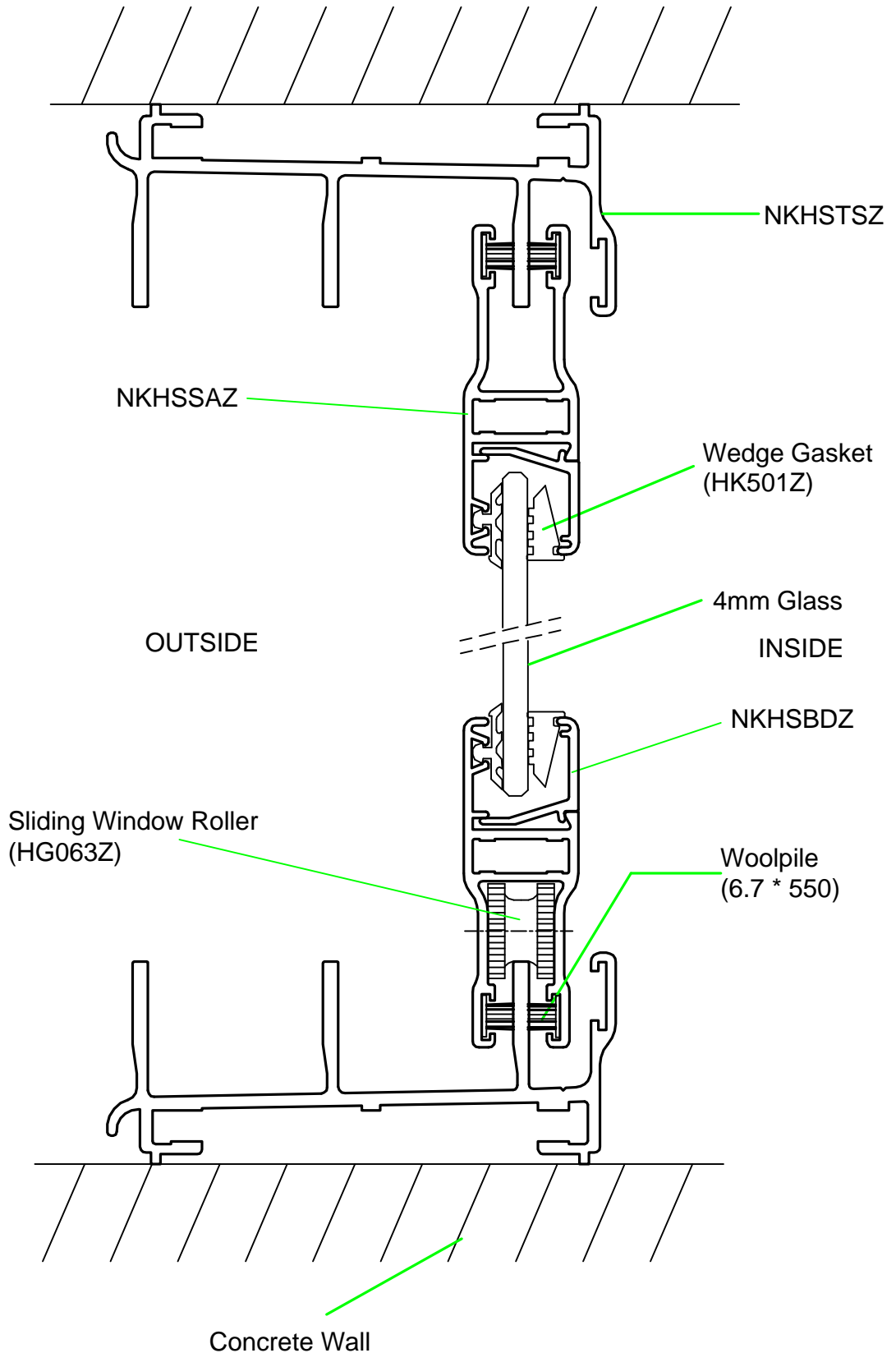
ALTERNATIVE XXX OR OXX TRI SLIDER WINDOW OVERALL HORIZONTAL CROSS SECTION WITH LOW RISE INTERLOCK





XXX OR OXX TRI SLIDER WINDOW OVERALL
VERTICAL SECTION

Section B - B





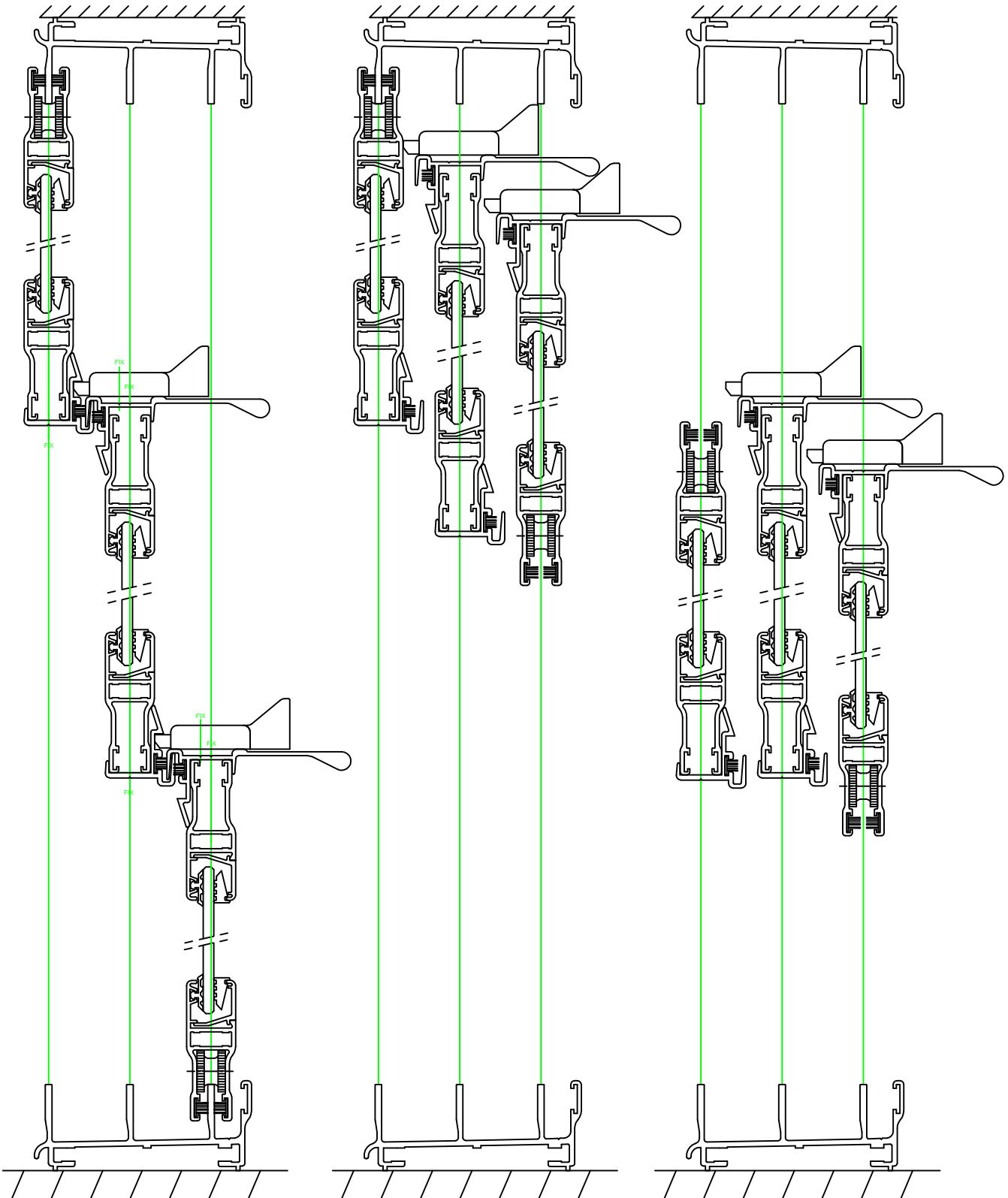
XXX OR OXX TRI SLIDER WINDOW CONFIGURATION

NB:Sashes can be stacked anywhere on the tracks.

Fully closed

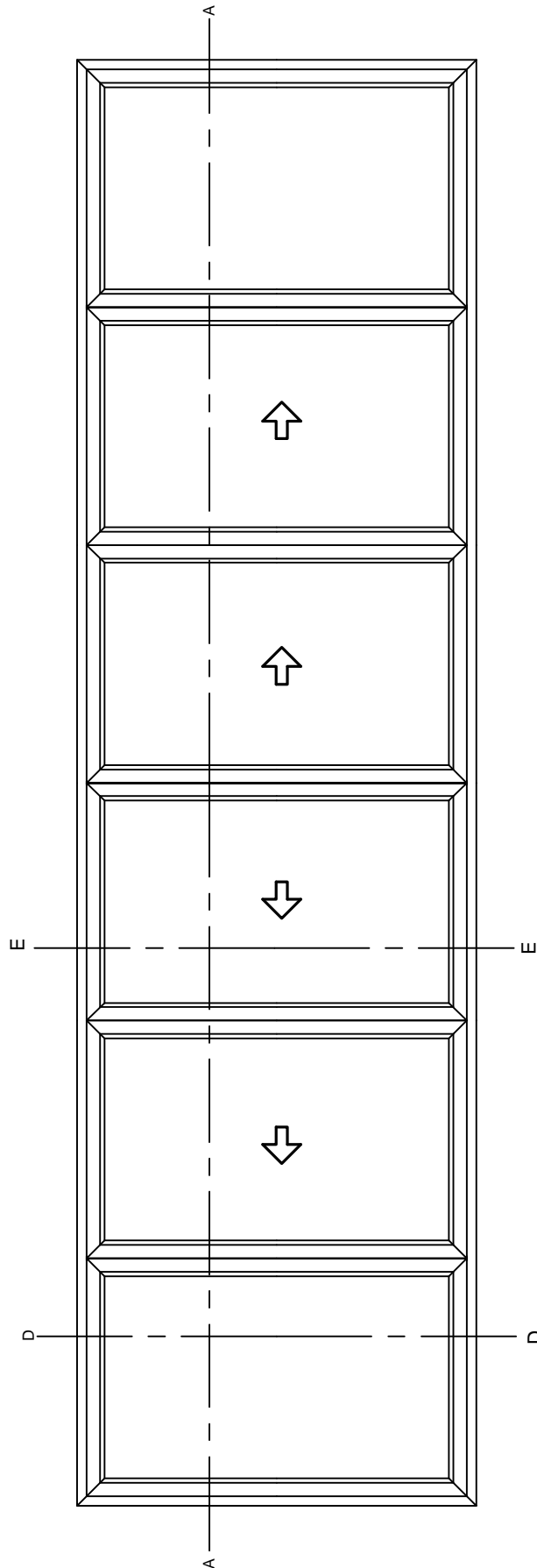
Sashes stacked to the left

Sashes stacked to the centre



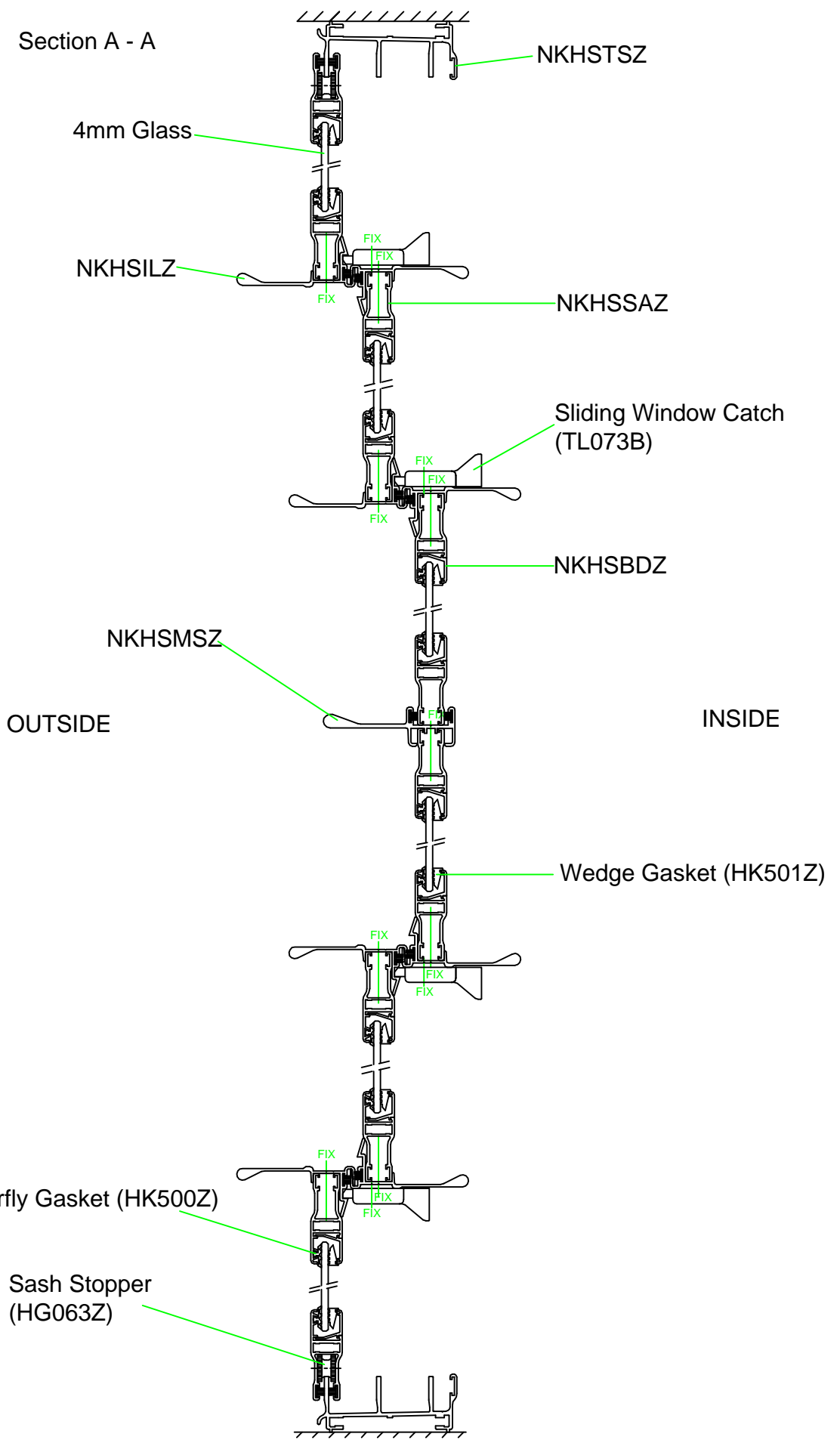


XXXXXX or OXXXXO TRI SLIDER WINDOW





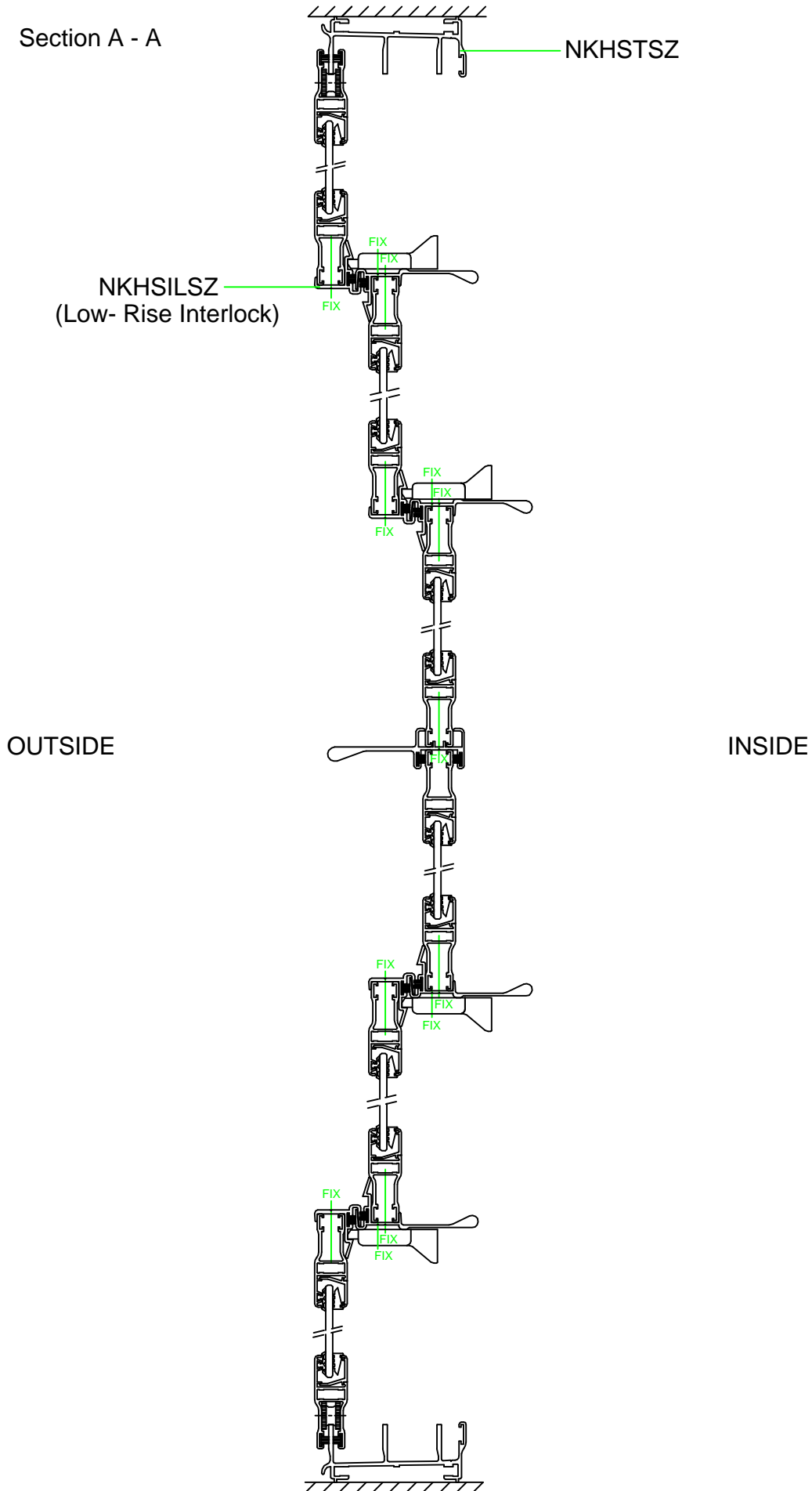
OXXXXO TRI SLIDER WINDOW HORIZONTAL CROSS SECTION





ALTERNATIVE OXXXXO TRI SLIDER WINDOW HORIZONTAL CROSS SECTION

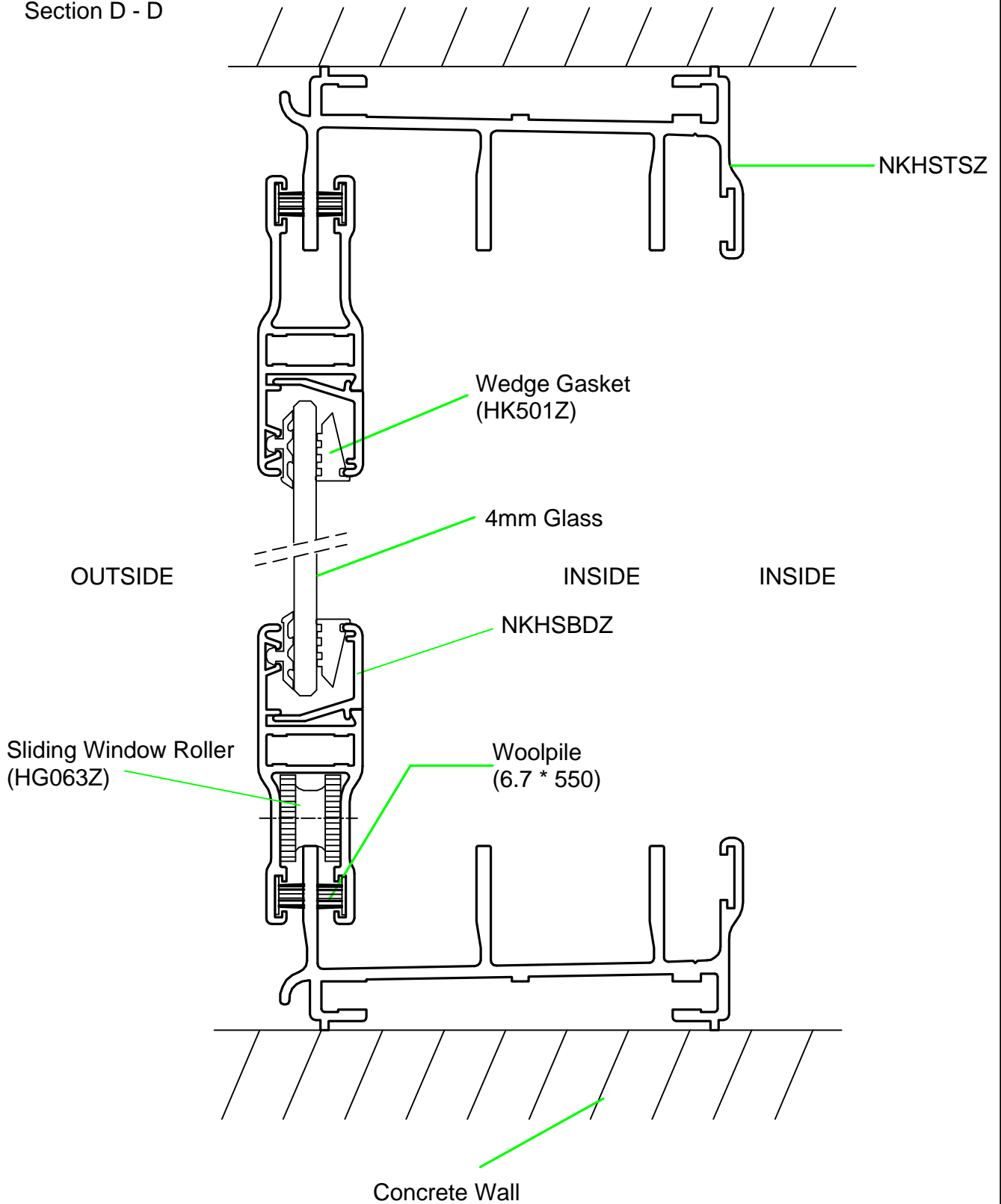
Section A - A





OXXXXO TRI SLIDER WINDOW OVERALL VERTICAL SECTION

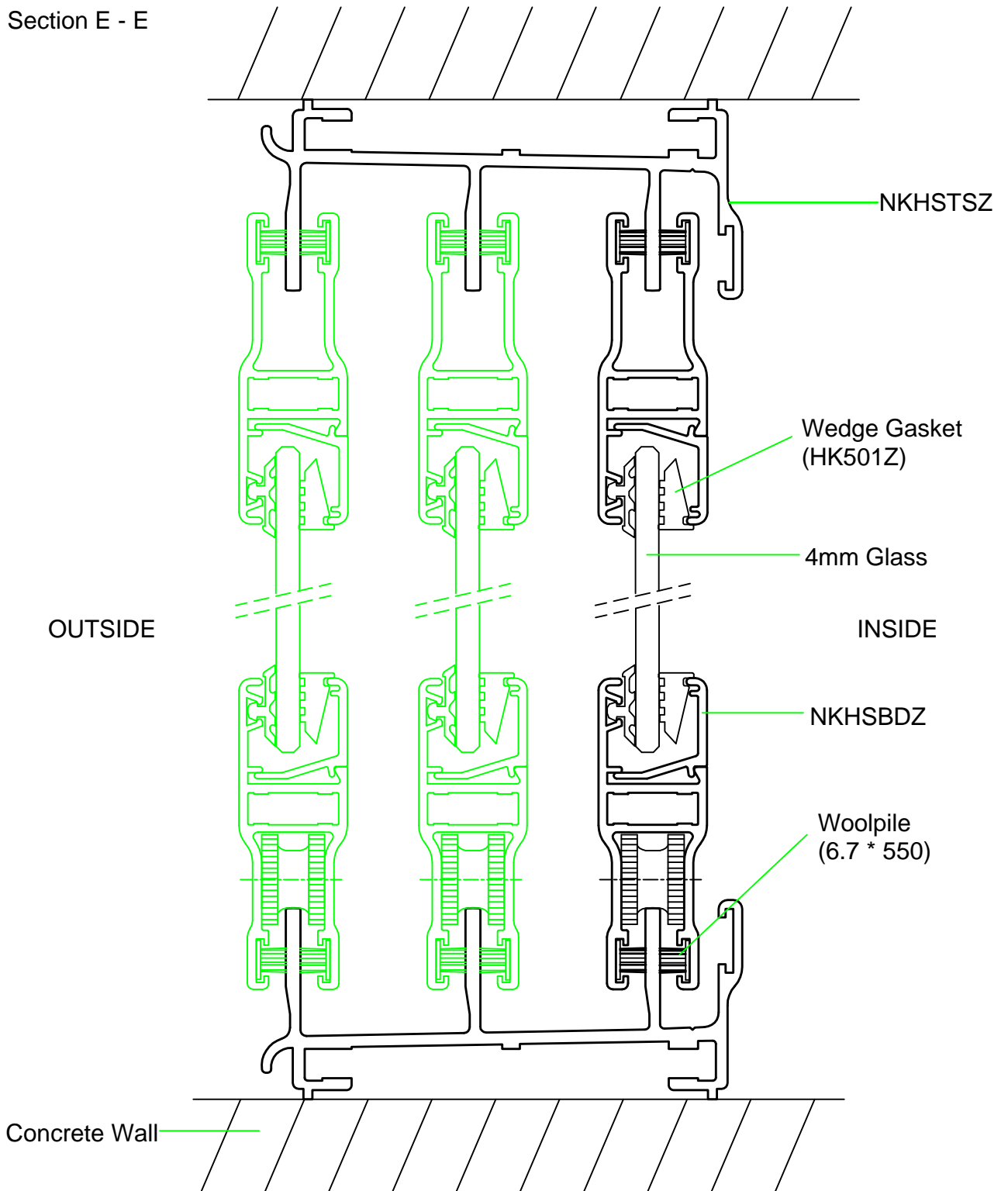
Section D - D





OXXXXO TRI SLIDER WINDOW OVERALL VERTICAL SECTION

Section E - E

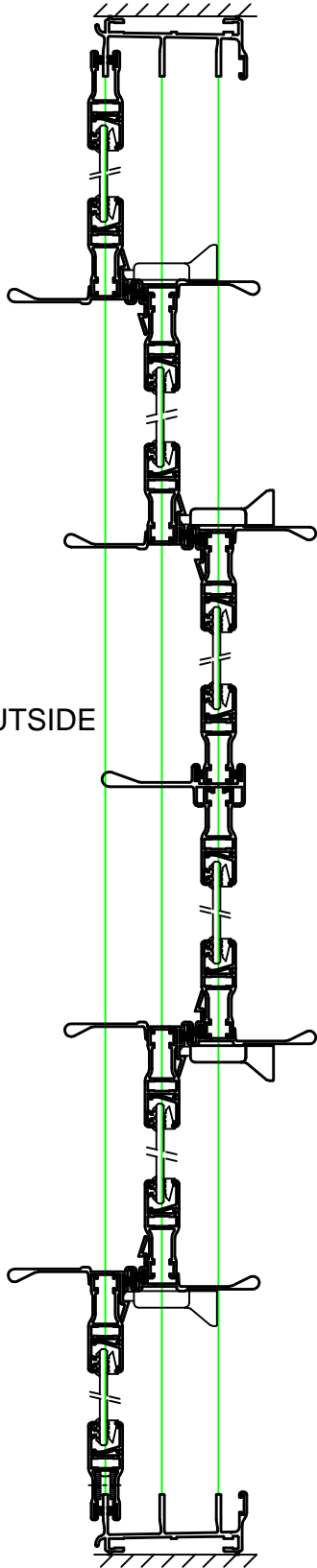




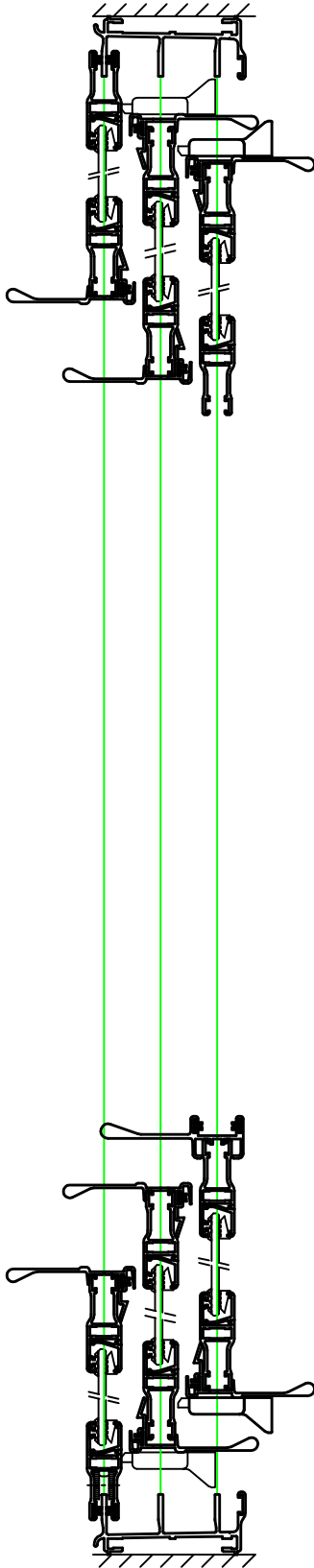
OXXXXO TRI SLIDER WINDOW CONFIGURATION

NB:Sashes can be stacked anywhere on the tracks.

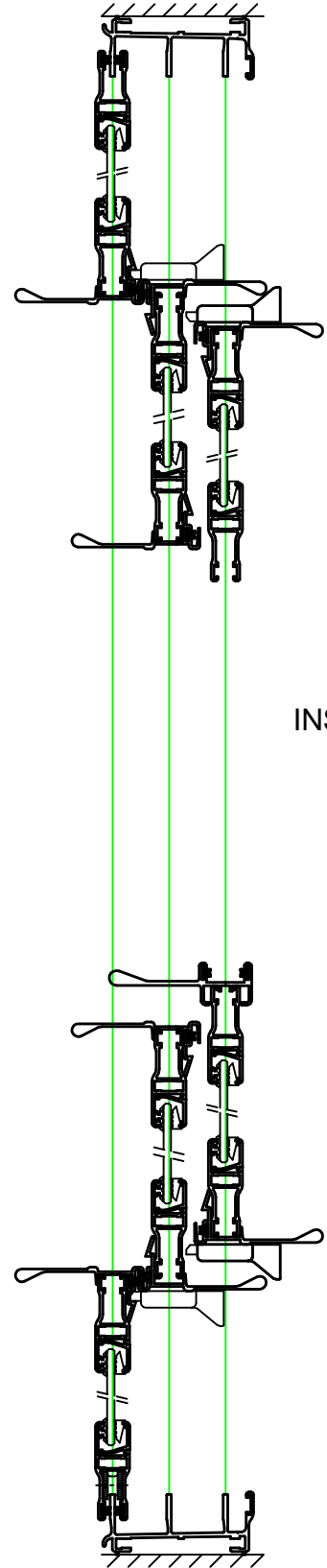
Fully closed



Sashes stacked to the left and right



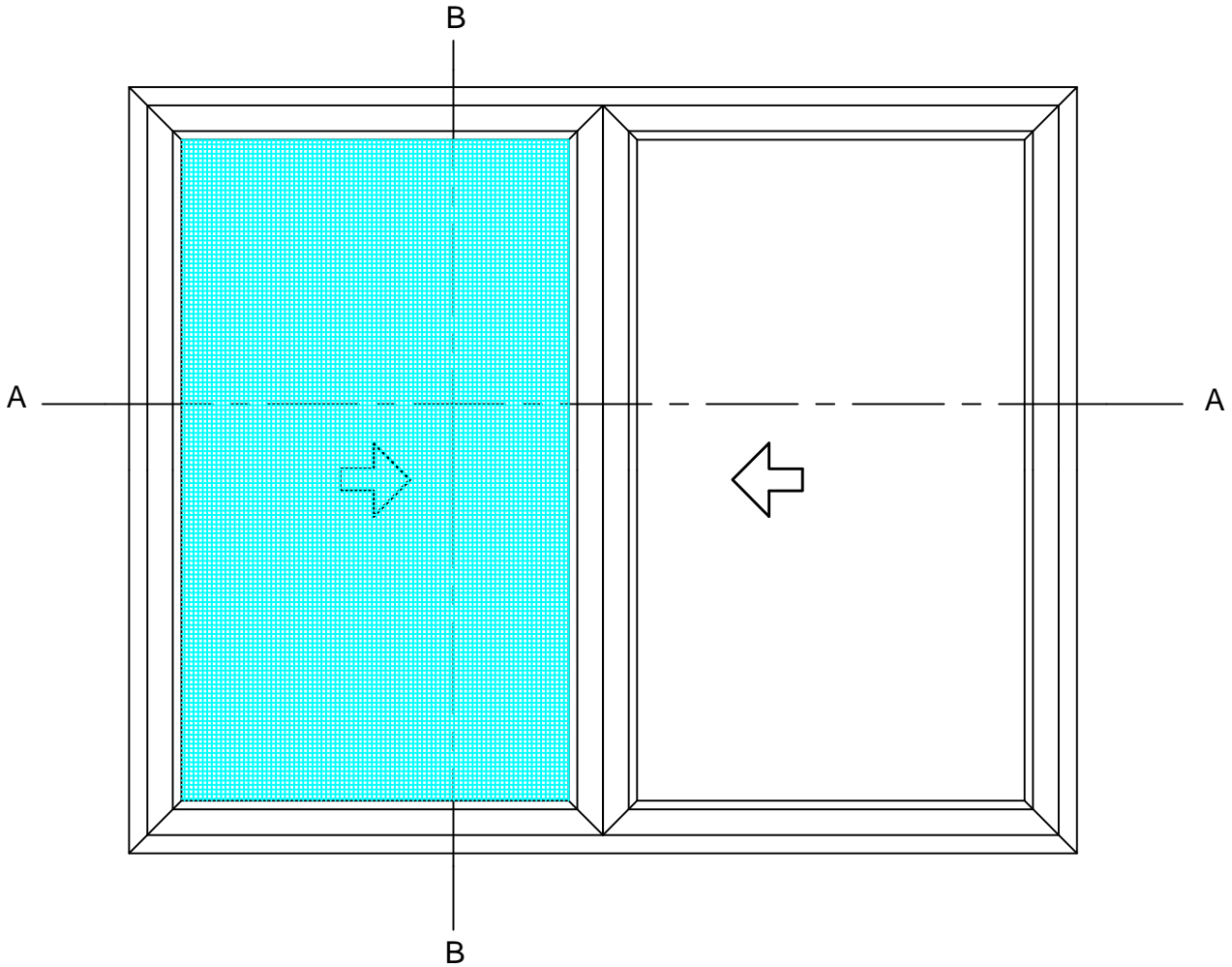
Sashes stacked to the left and right





almin

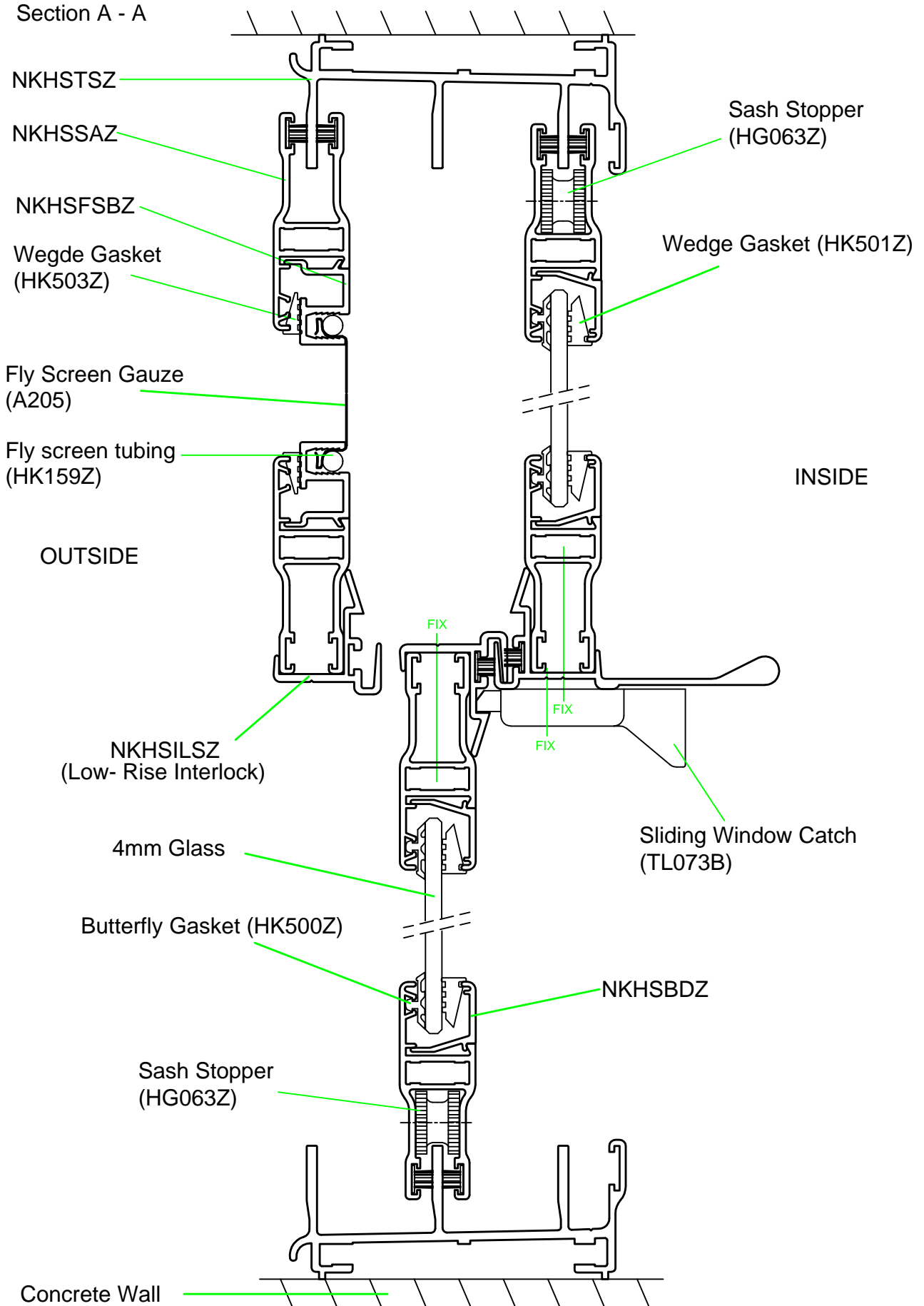
OX OR XX DOUBLE SLIDER WINDOW WITH SLIDING FLY SCREEN SET ON TRI-TRACK





OX OR XX DOUBLE SLIDER WITH FLY SCREEN SET ON TRI TRACK OVERALL HORIZONTAL CROSS SECTION

Section A - A

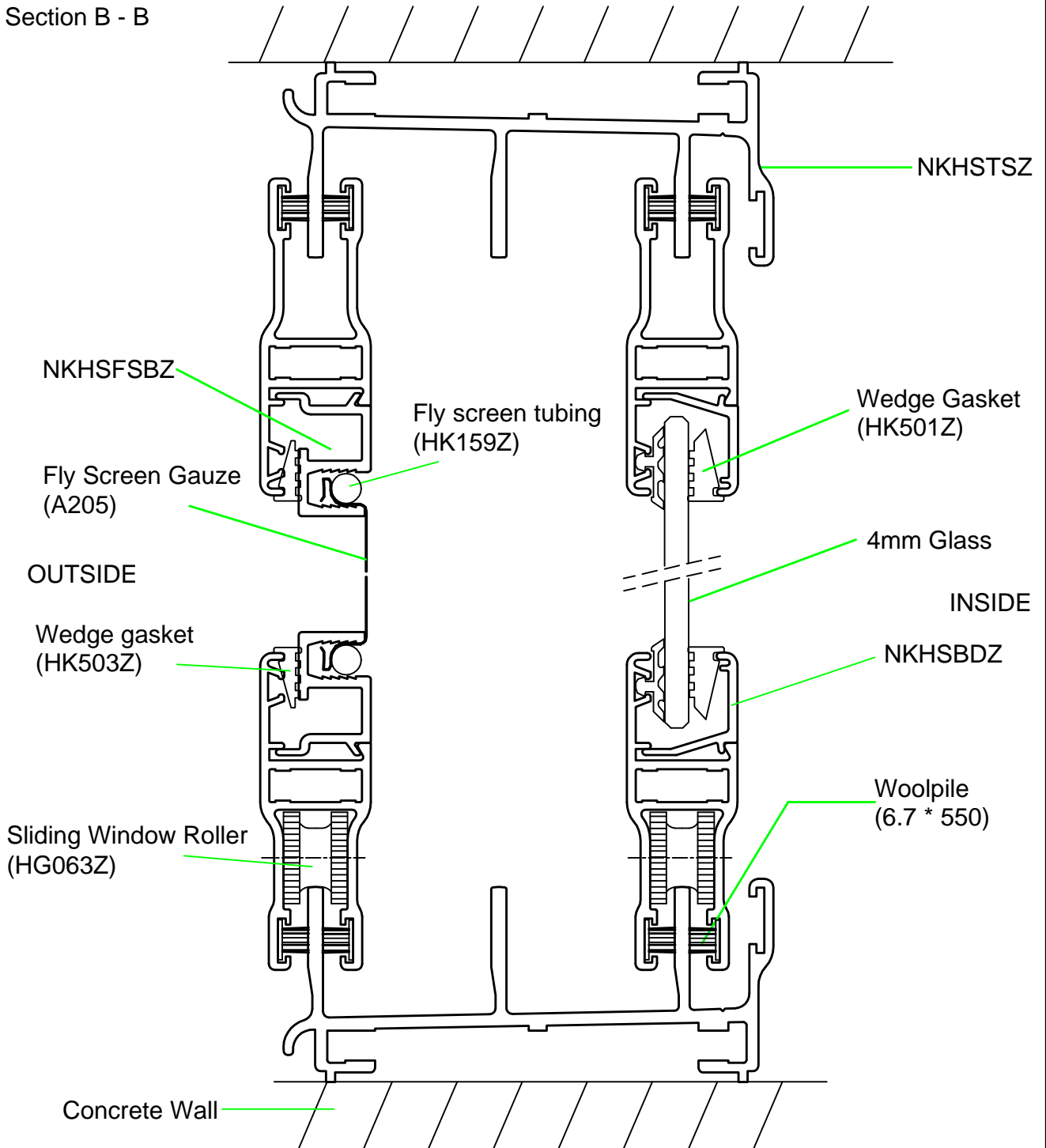


Concrete Wall



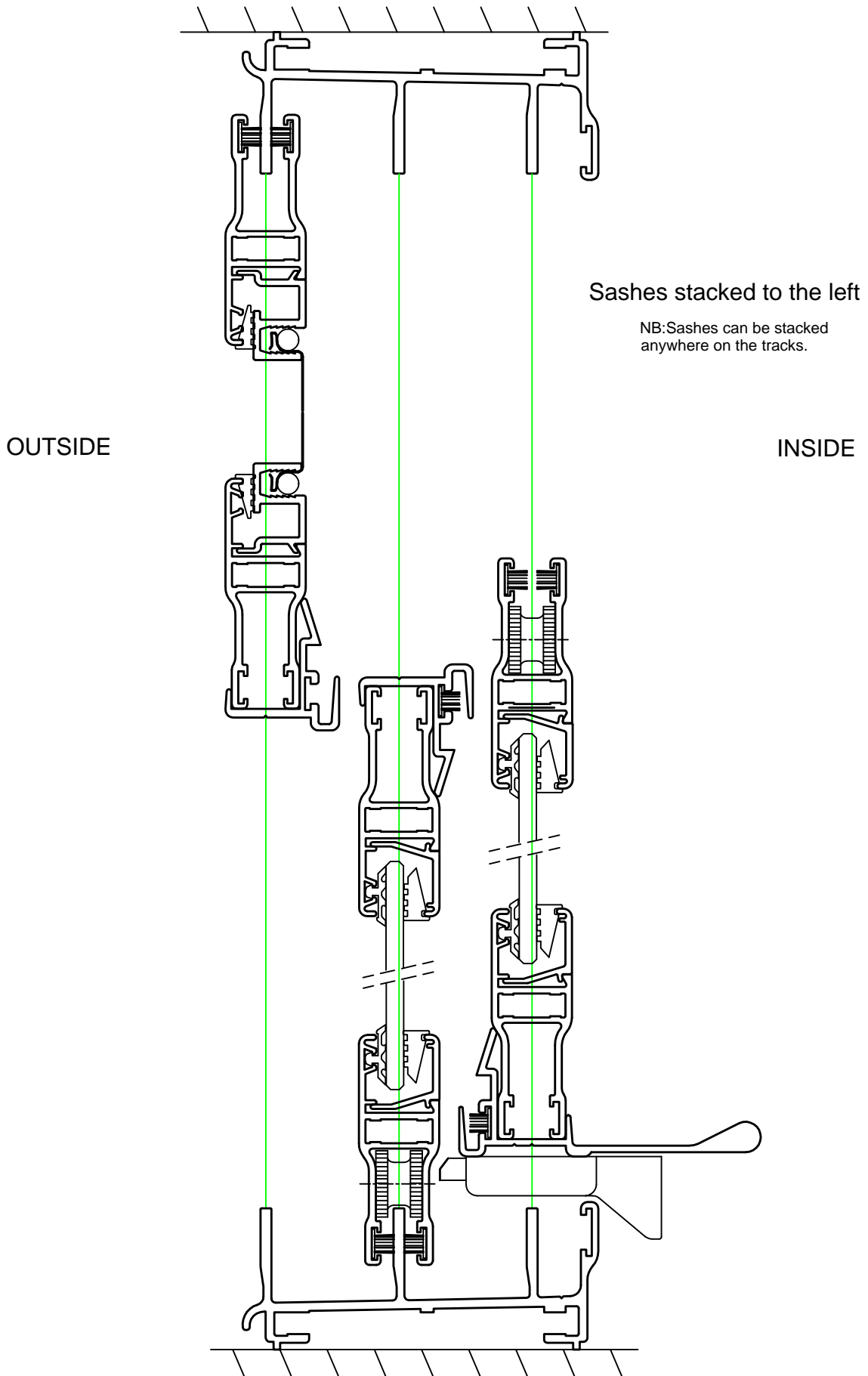
XX DOUBLE SLIDER WITH FLY SCREEN SET ON TRI-TRACK
OVERALL VERTICAL SECTIONS

Section B - B



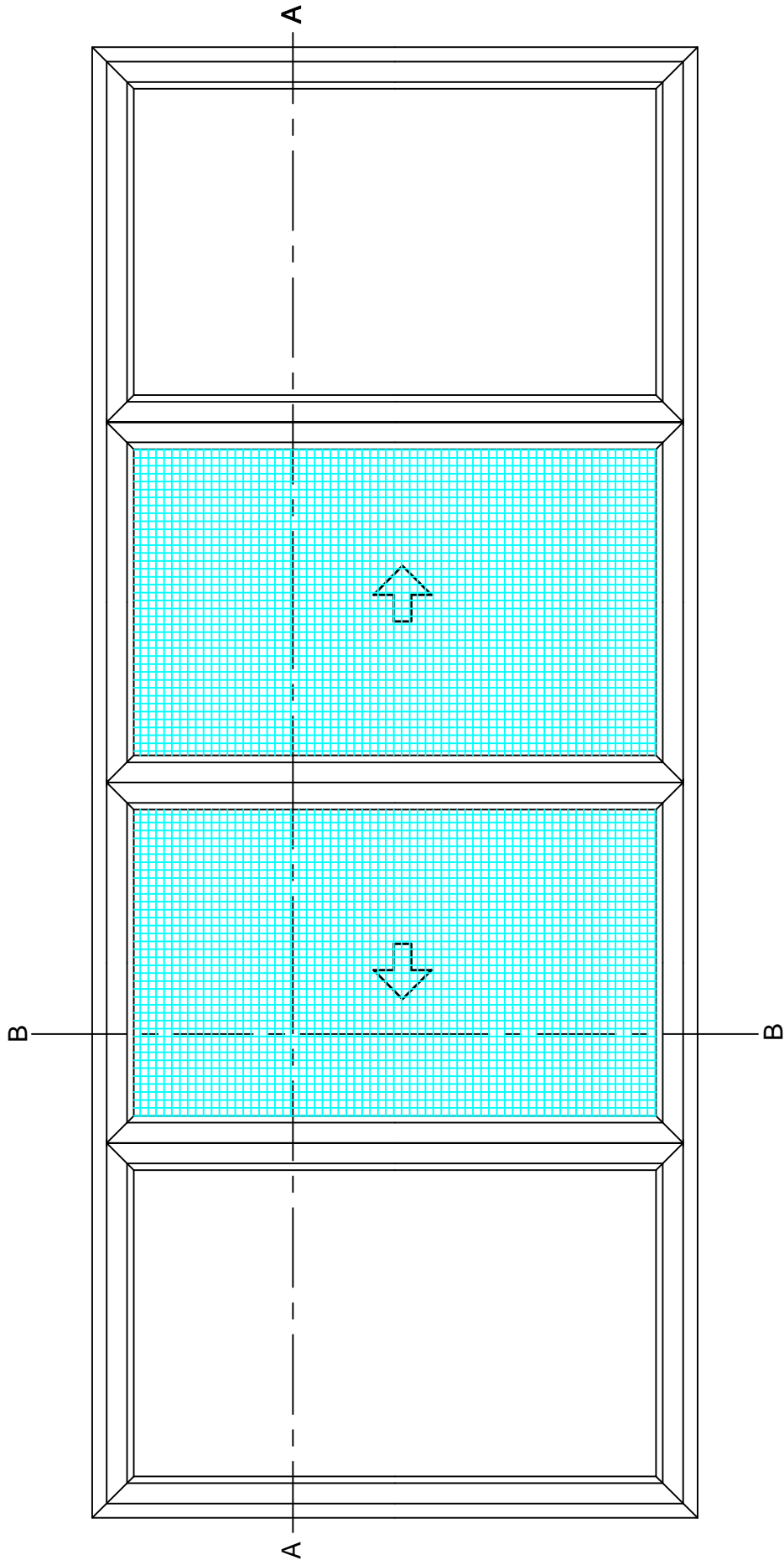


OX OR XX DOUBLE SLIDER WITH FLY SCREEN SET
ON TRI-TRACK CONFIGURATION





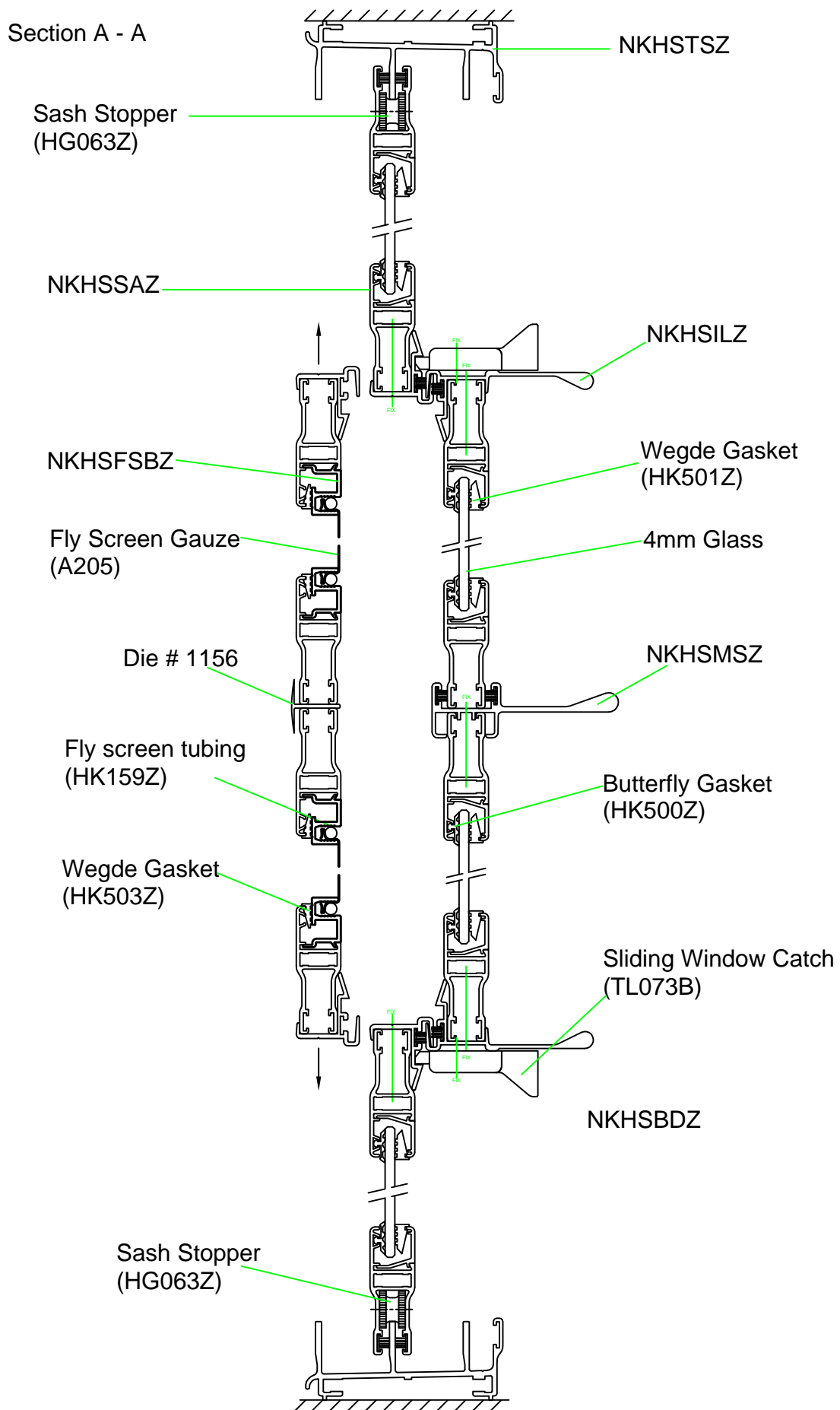
XXXX OR OXXO DOUBLE SLIDER WINDOW WITH FLY SCREENS SET ON TRI-TRACK





OXXO DOUBLE SLIDER WITH FLY SCREENS SET ON TRI-TRACK
OVERALL HORIZONTAL CROSS SECTION

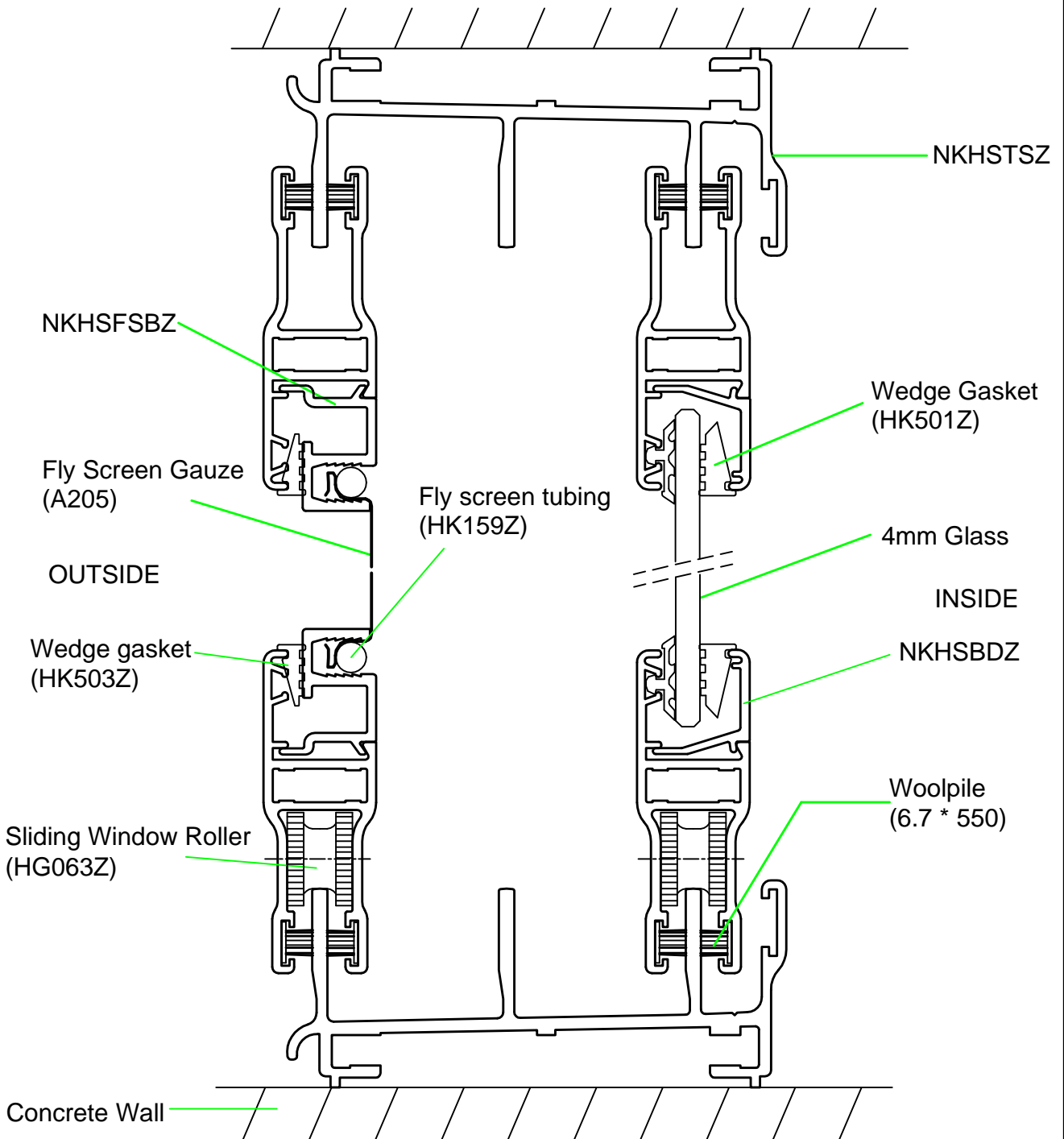
Section A - A





XXXX OR OXXO DOUBLE SLIDER WITH FLY SCREENS SET ON TRI- TRACK
OVERALL VERTICAL SECTION

Section B - B



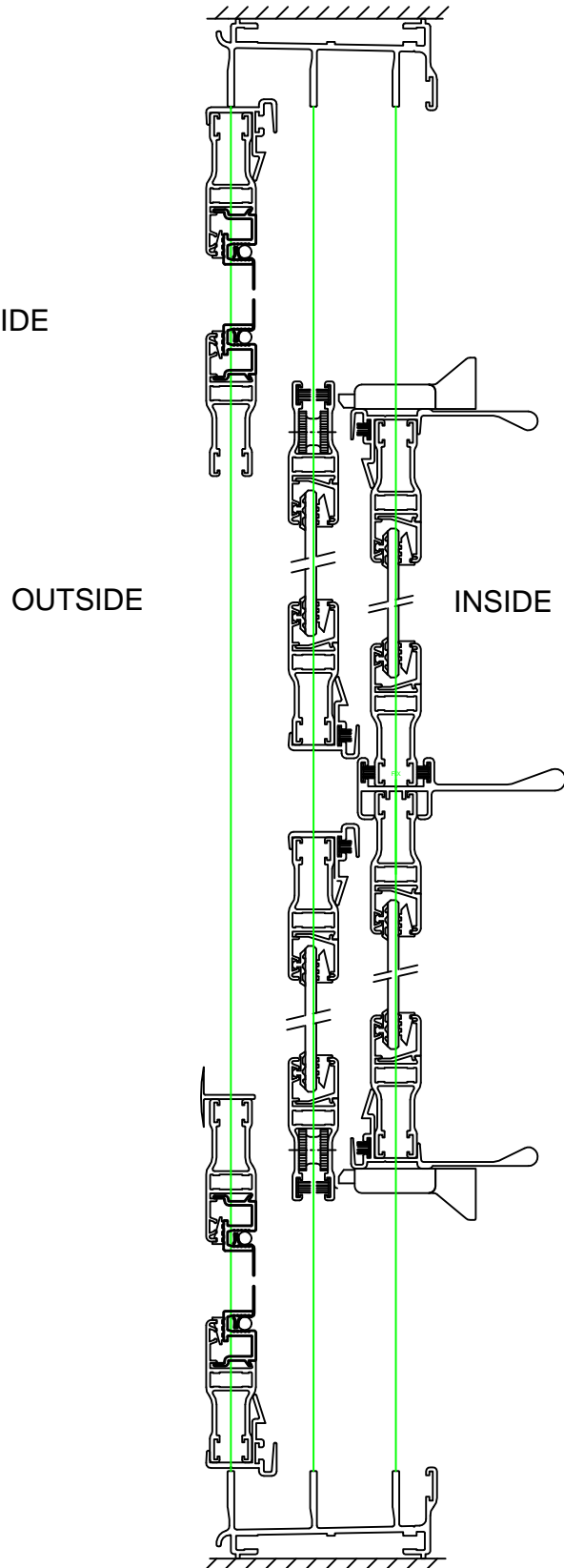
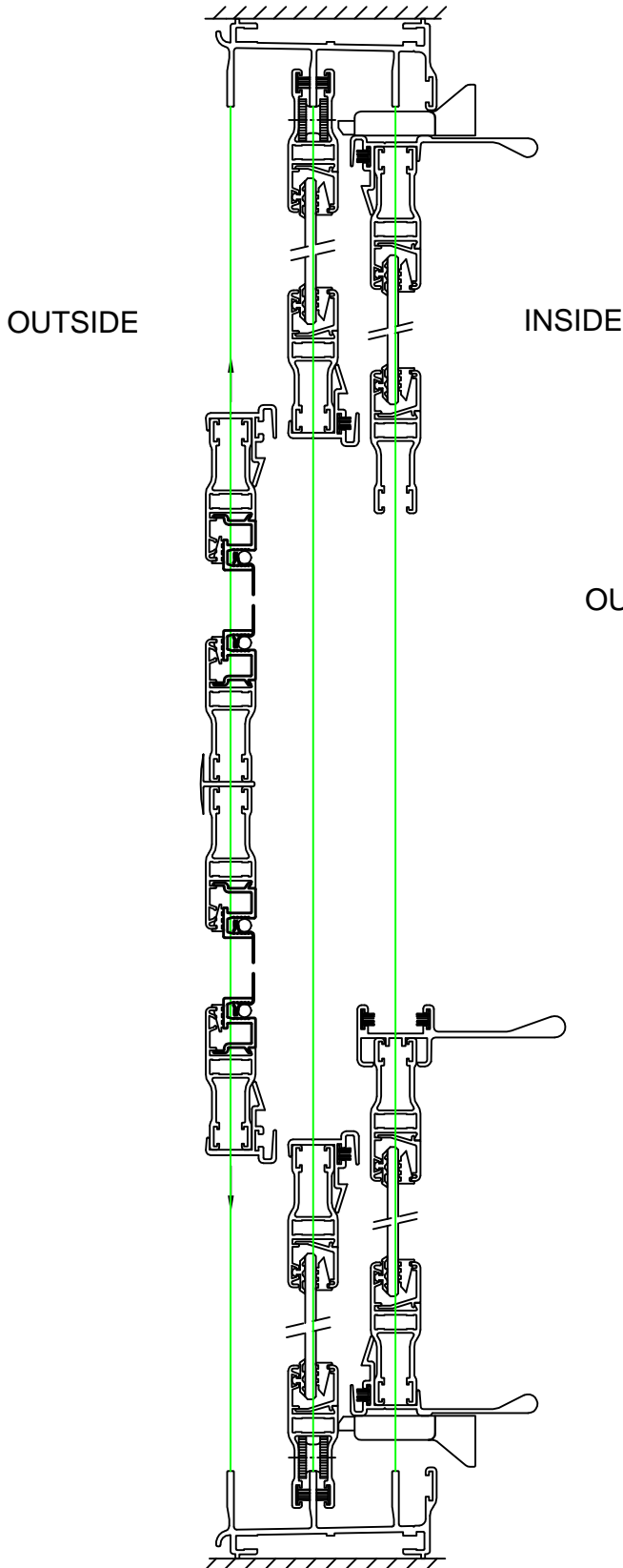


OXXO OR XXXX DOUBLE SLIDER WITH FLY SCREENS SET ON TRI-TRACK CONFIGURATION

NB:Sashes can be stacked anywhere on the tracks.

Sashes stacked to the left and right with fly screen on the centre

Sashes stacked to the centre with fly screens on the left and right



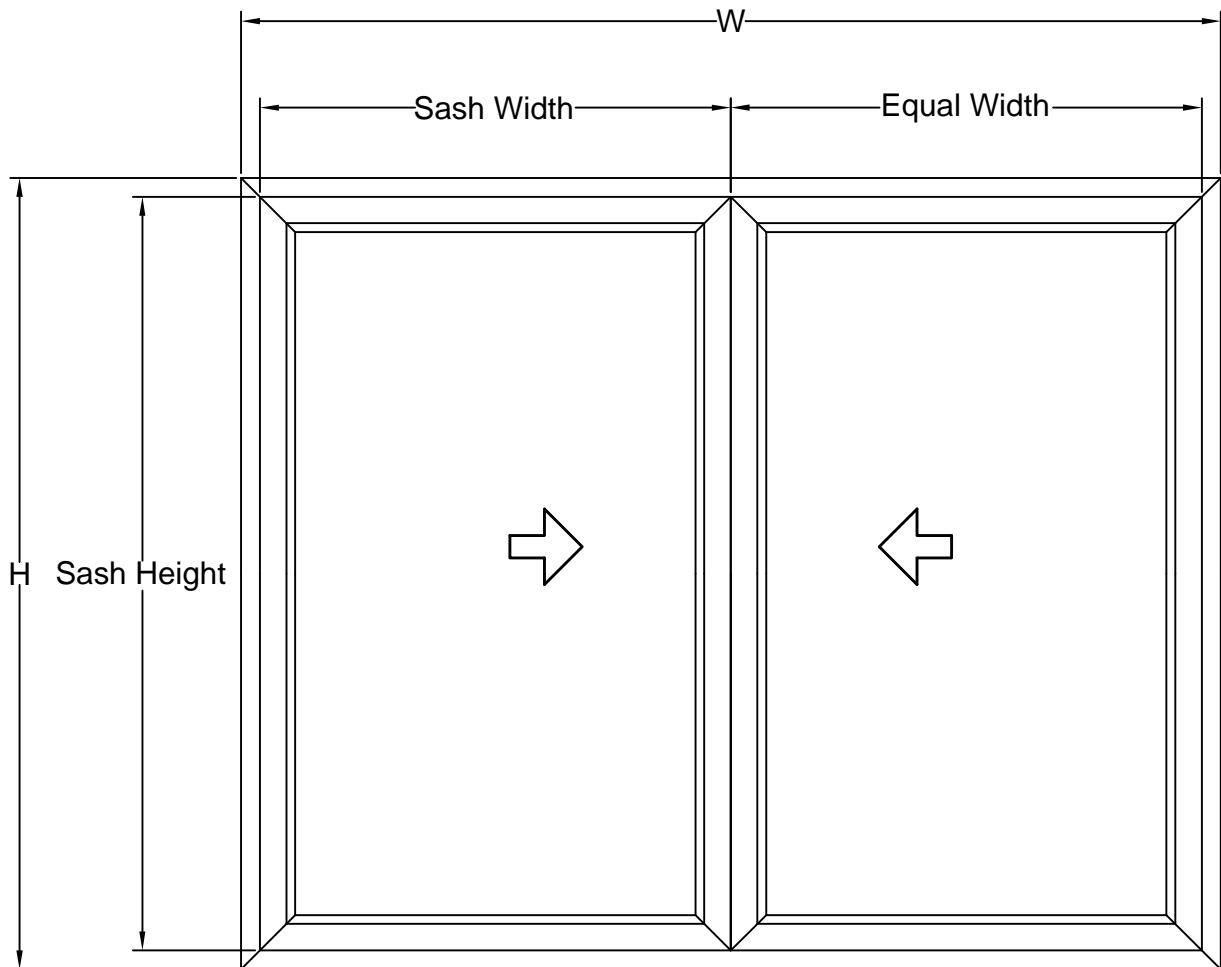


SECTION TWO

1. OX or XX cutting sizes
2. OXXO or XXXX cutting sizes
3. Mounting details for woolpile holder
4. Mounting of sash stoppers detail
5. Mounting of rollers detail
6. Mounting of sliding window catch detail
7. Machining of sash slot detail
8. Interlocks machining details
9. Meeting stiles machining details



OX OR XX CUTTING SIZES



Outer Frame NKHSFRZ

Frame Width = W

Frame Height = H

Sliding Window Sash (NKHSSAZ)

Sash Width = $1/2W - 17\text{mm}$

Sash Height = $H - 35\text{mm}$

Sliding Window Interlock (NKHSILZ / NKHSILSZ)

Same as Sash height

Outer Frame Corner Cleat = $38.5^{+0.5}_{-0.5}$ mm

Sash Corner Cleat = $15^{+0.5}_{-0.5}$ mm

*Important to cut corner cleat to 15mm correctly

Glass Sizes

Glass Width = Sash width - 88mm

Glass Height = Sash Height - 88mm

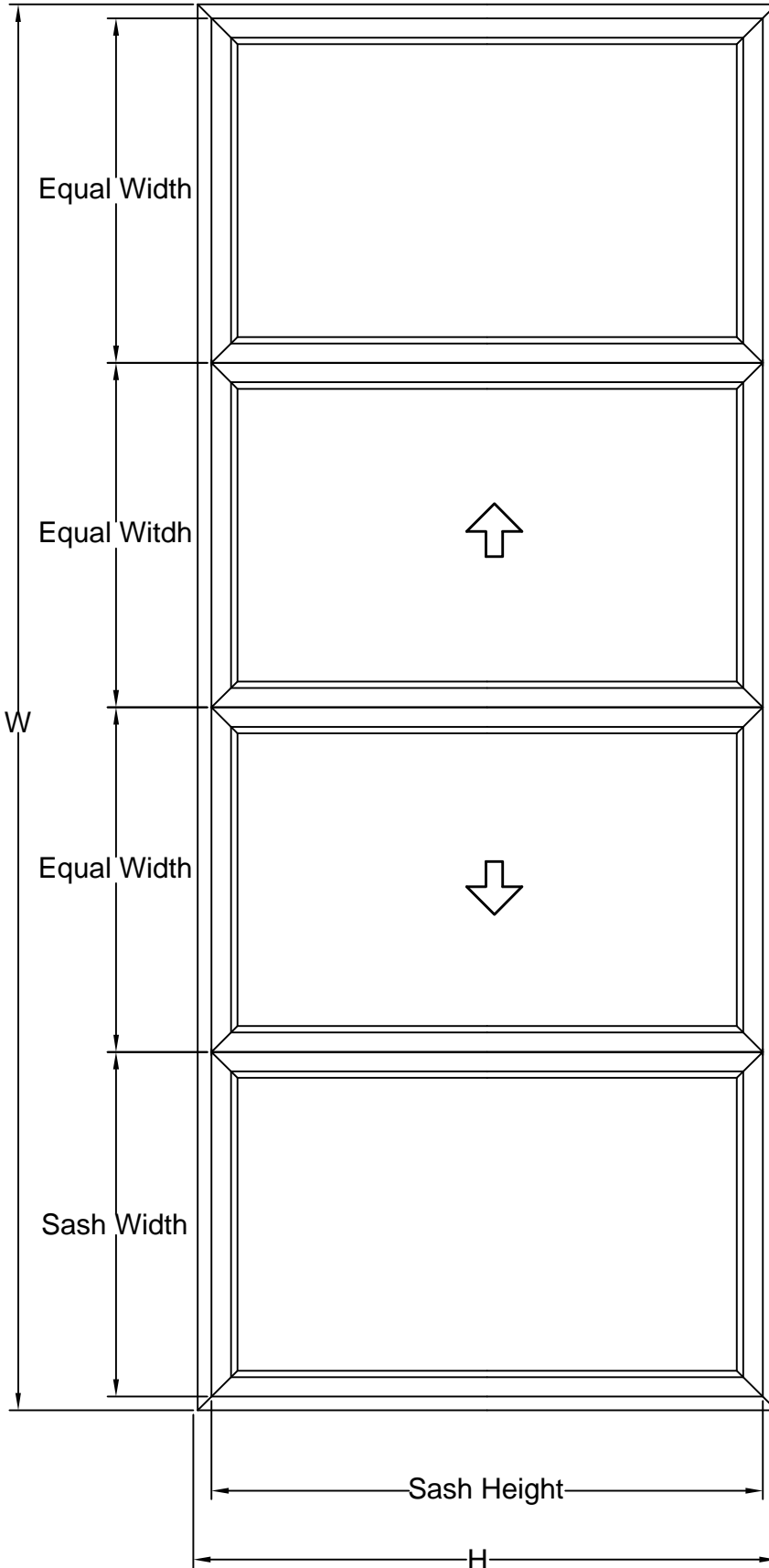
Glazing Beads

Top & Bottom Beads full width = Sash width - 76mm

Side Beads = Sash Height - 106mm



OXXO OR XXXX CUTTING SIZES



Outer Frame NKHSFRZ

Frame Width = W

Frame Height = H

Sliding Window Sash (NKHSSAZ)

Sash Width = $1/2[(W - 35)/2 + 2]$ mm

Sash Height = H - 35mm

Glass Sizes

Glass Width = Sash width - 88mm

Glass Height = Sash Height - 88mm

Sliding Window Interlock (NKHSILZ / NKHSILSZ

Sliding Window Meeting Style (NKHSMSZ)

Same size as Sash height

Glazing Beads

Top & Bottom Beads Full width = Sash width - 76mm

Side Beads = Sash Height - 106mm

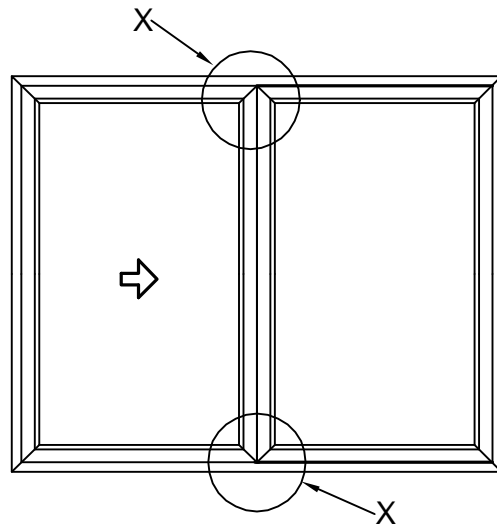
Outer Frame Corner Cleat = $38.5^{+0.5}$ mm

Sash Corner Cleat = $15^{+0.5}$ mm

*Important to cut corner cleat to 15mm correctly

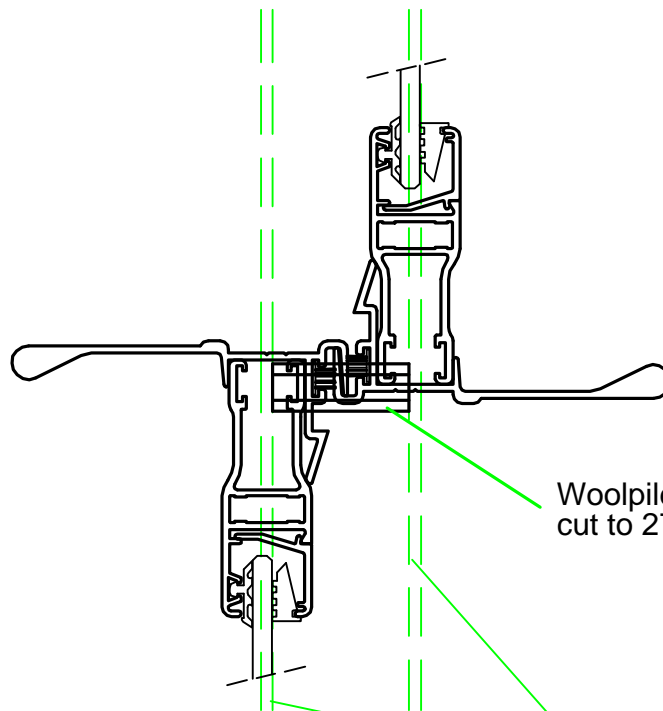


MOUNTING DETAIL FOR WOOLPILE HOLDER



NB
Top and bottom tracks should have a 27mm piece with a slot of woolpile (6.7 * 550) mounted where the interlocks meet.
Any of NuKlip inserts / fillers can be used.
This is required to close the gap and avoid drafts.

Detail X

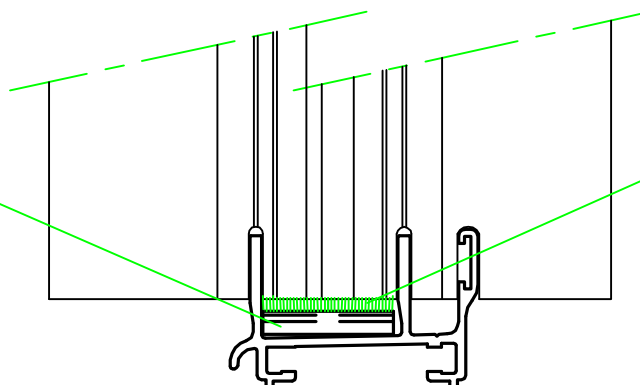


Woolpile Insert cut to 27mm

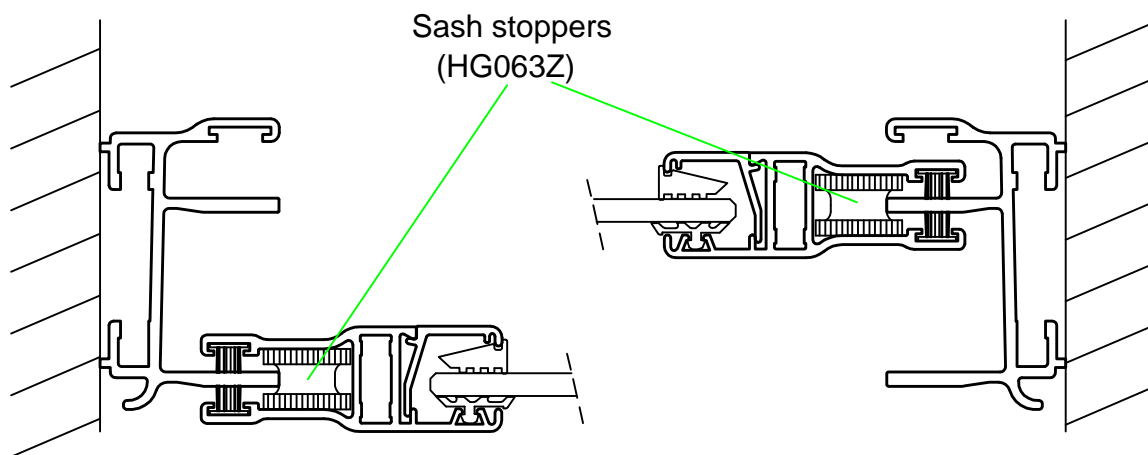
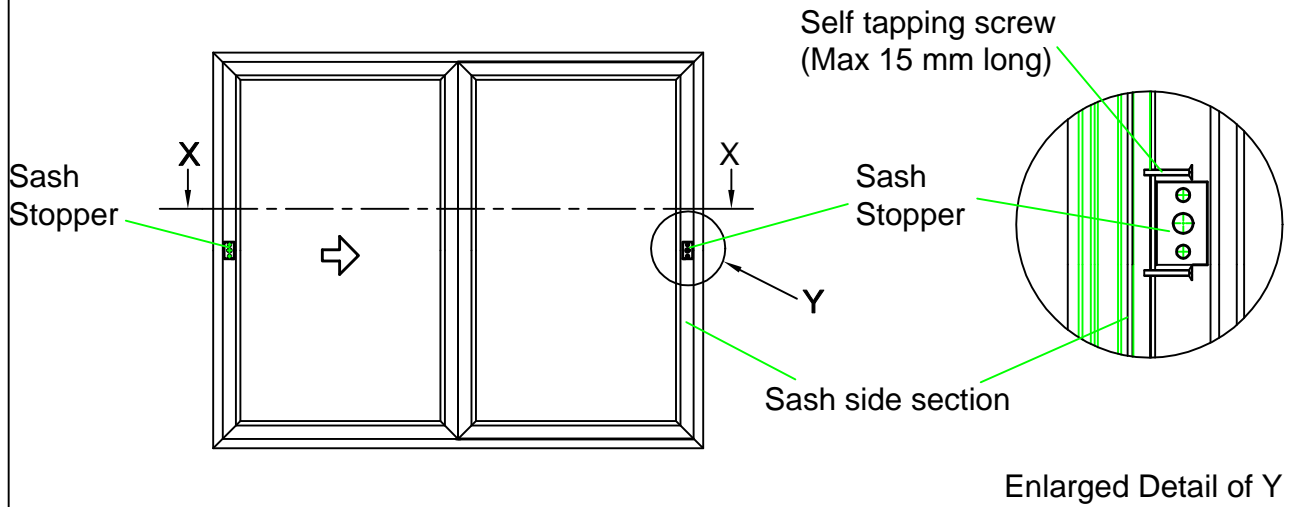
Underlying NKHSFRZ track

Woolpile Insert cut to 27mm

Woolpile (6.7 * 550)



MOUNTING OF SASH STOPPERS DETAIL



SECTION X -X

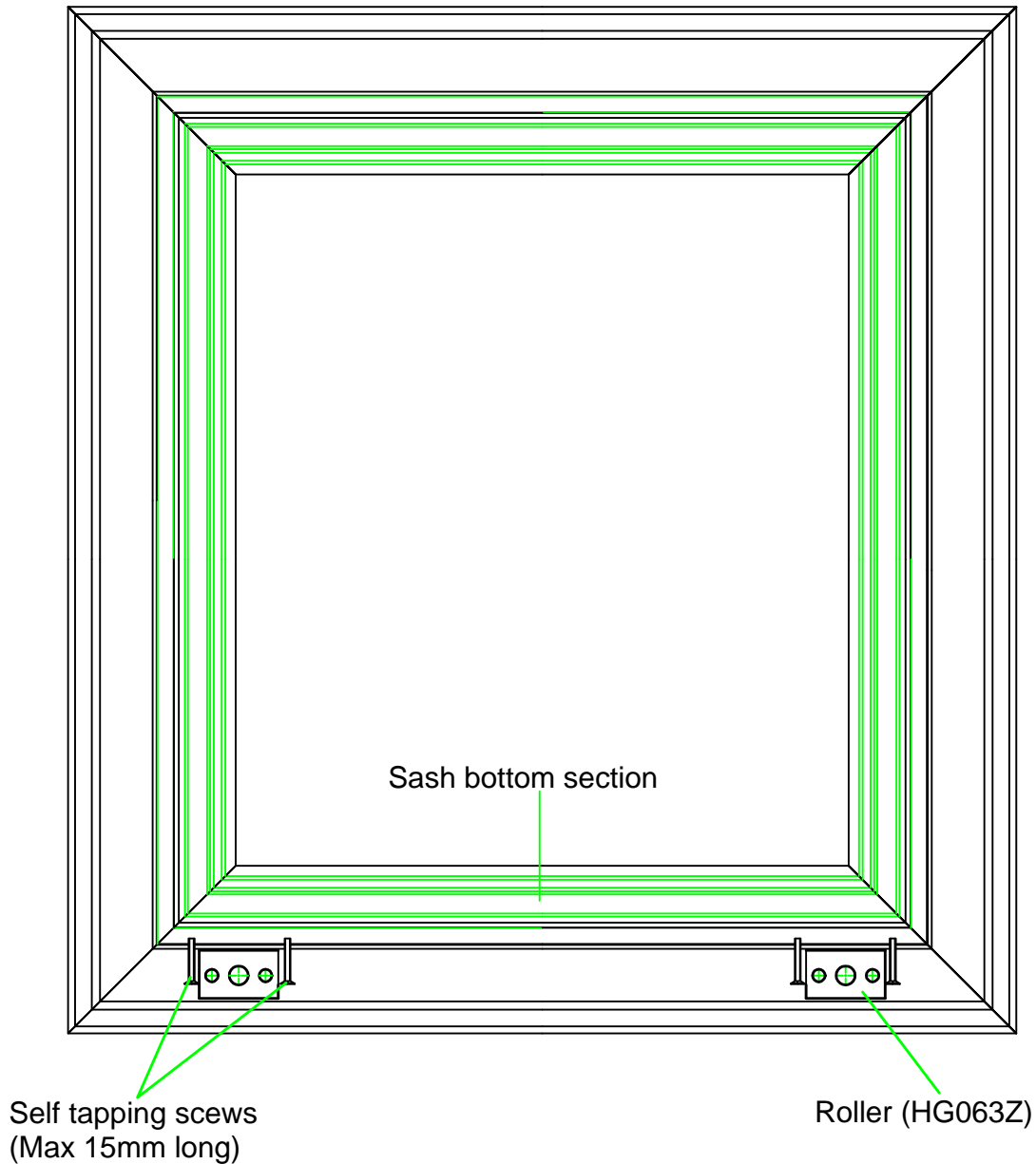
MOUNTING OF SASH STOPPERS

The sliding window roller (HG063Z) also acts as a sash stopper. The stoppers are required to have the sash and the outer frame mitres aligning. Sash stoppers are mounted into two sash frames only and these sash frames will be against the side tracks of the outer frame when window is closed. The sash stoppers are mounted with self tapping screws (15mm long) right on the centre of the sash side sections.

Sash stoppers can be mounted before assembling the sash frames. For any type of NuKlip Horizontal Sliding Window two stoppers only are required.



MOUNTING OF ROLLERS DETAIL

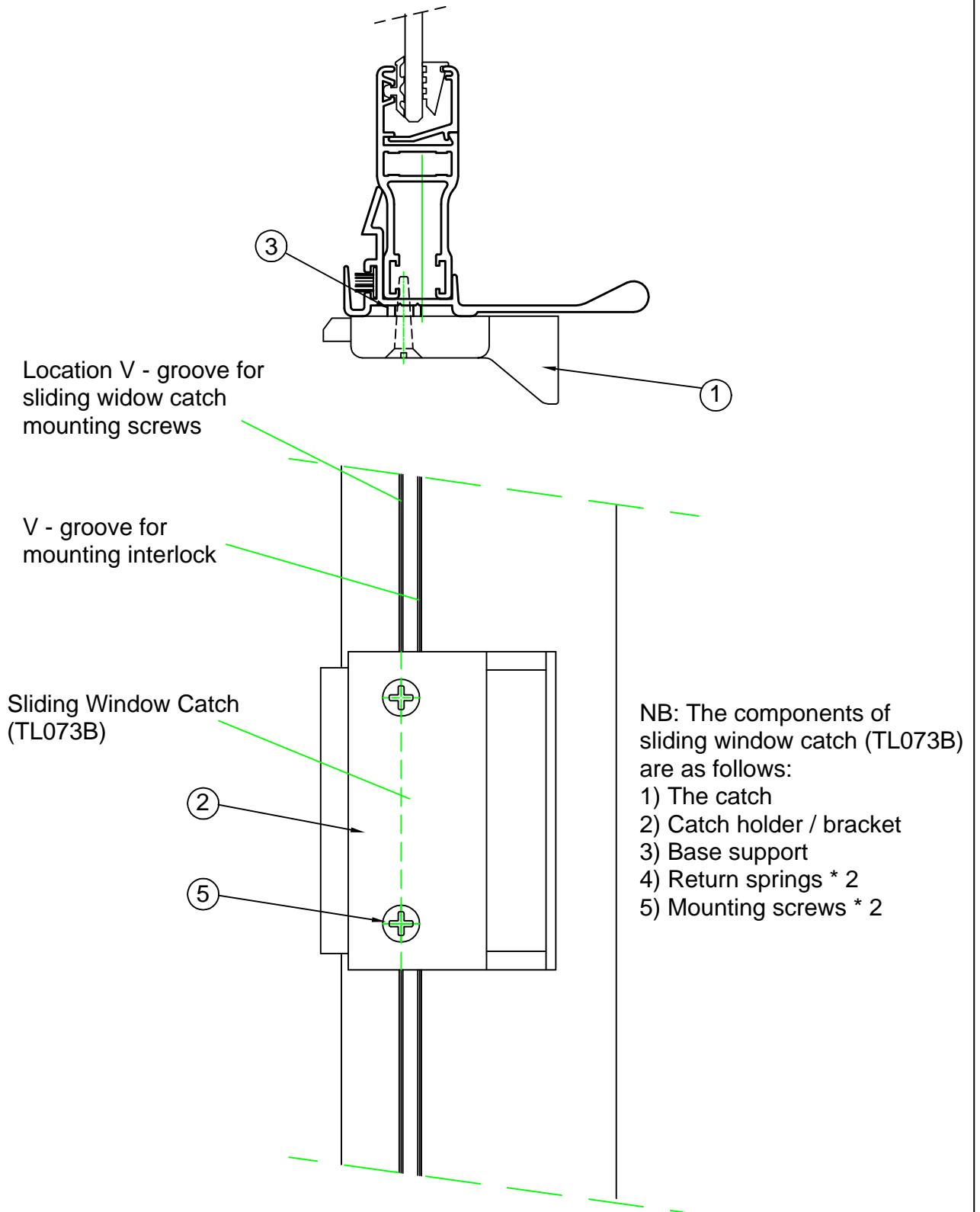


MOUNTING OF ROLLERS

The sliding window rollers are mounted in each sash bottom section with self tapping screws and giving the rollers room for self adjustment after mounting. The rollers are mounted after assembling the sash frames. If mounted before assembling the mounting screws can interfere with the corner cleats. Mount the rollers as close to the sash corner as possible.

NB: Insert the sliding window rollers before assembling the sash frame.

MOUNTING OF CATCH DETAIL

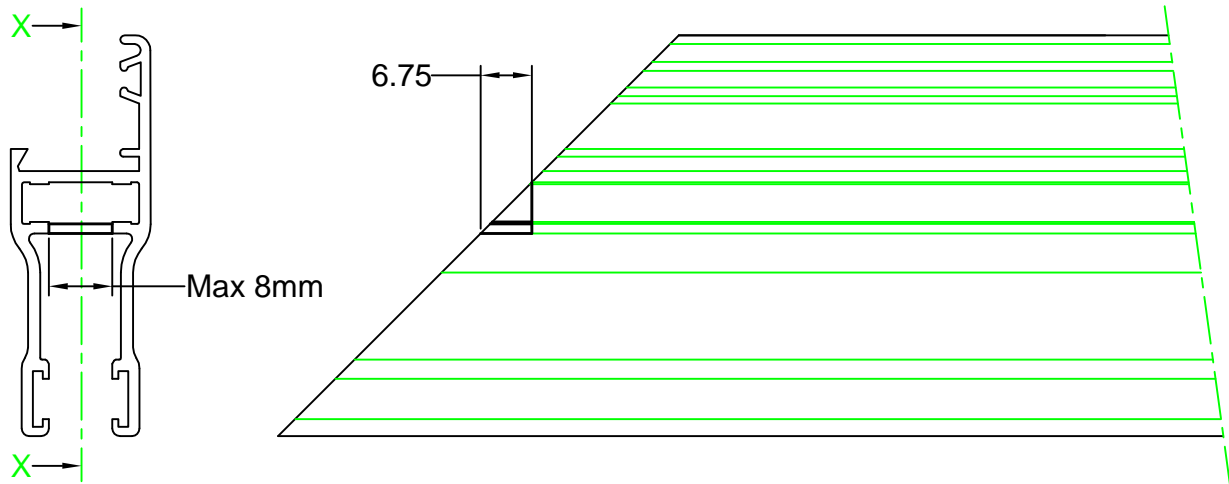


MOUNTING OF CATCH

The sliding window catch is mounted from inside. The holes on the catch must align with the catch mounting screw groove as shown diagram above.



SASH SLOT DETAIL



Section X - X

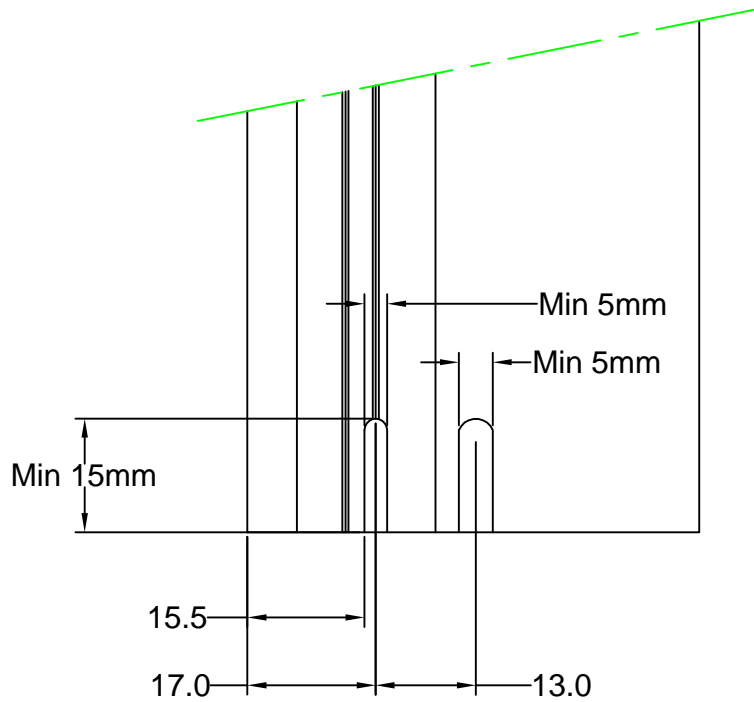
NB:

The machining details shown above applies only when using jungle cleats to assemble the sash frames.

The Jungle cleat mounting tool is required when mounting the jungle cleat successfully.

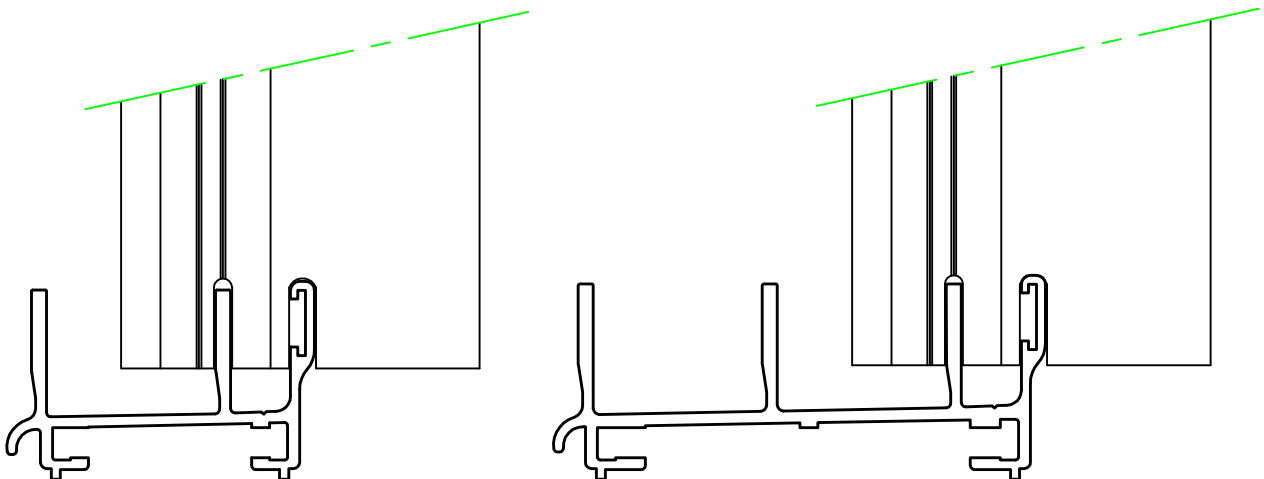
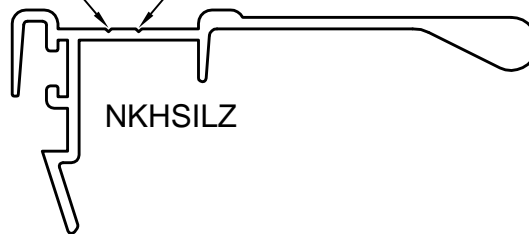


INSIDE INTERLOCK MACHINING DETAIL FOR
DOUBLE AND TRI-SLIDER WINDOWS



Location V - groove for sliding window
catch mounting screws

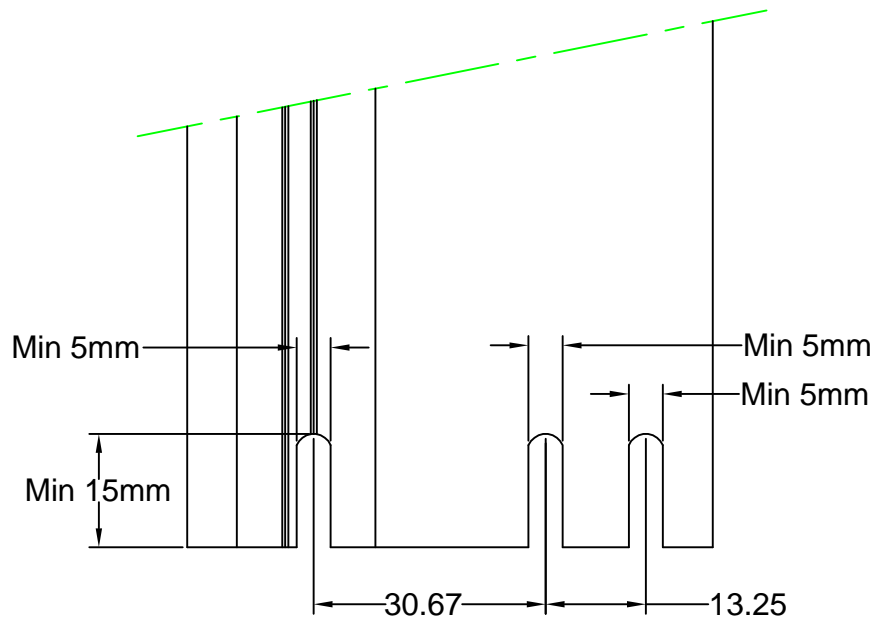
V - groove for mounting the
interlock to the sash section



Assembly details of NKHSFRZ / NKHSTSZ and NKHSILZ

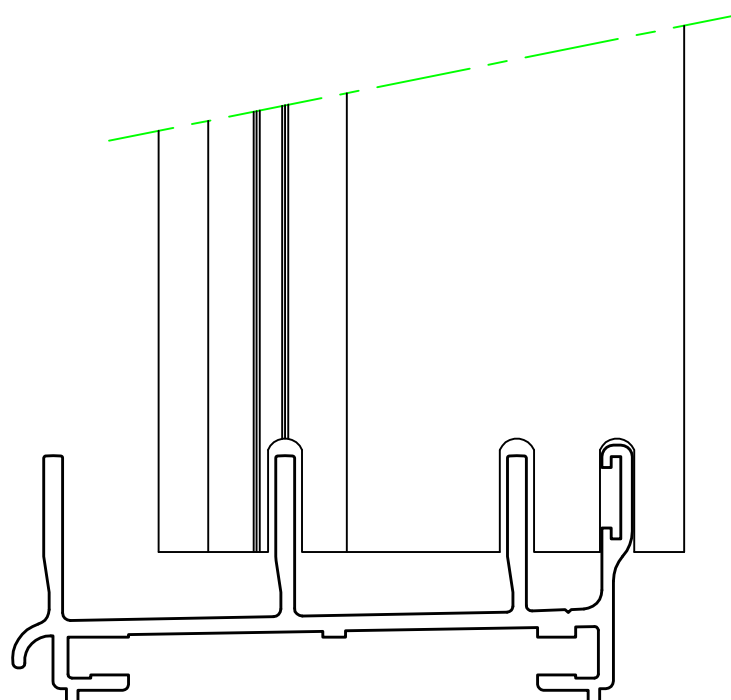
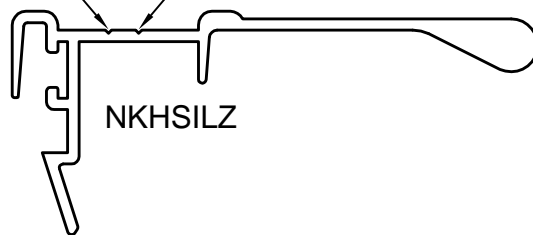


INSIDE INTERLOCK MACHINING DETAIL FOR TRI-SLIDER WINDOWS



Location V - groove for sliding window catch mounting screws

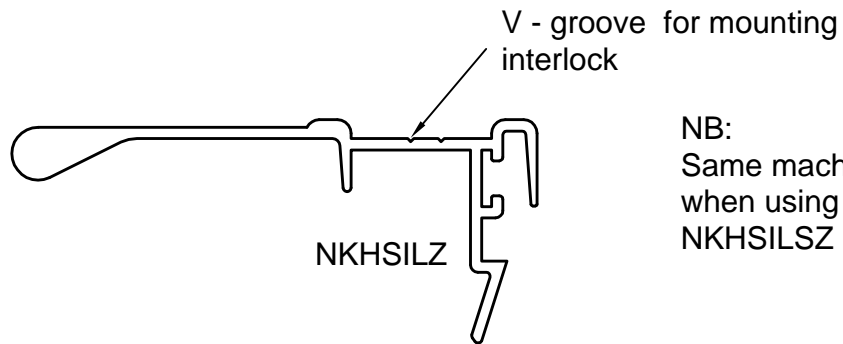
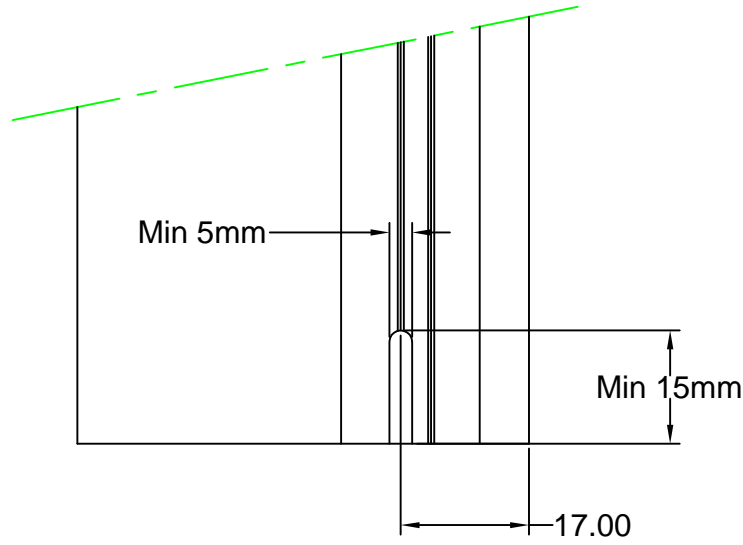
V - groove for mounting the interlock to the sash section



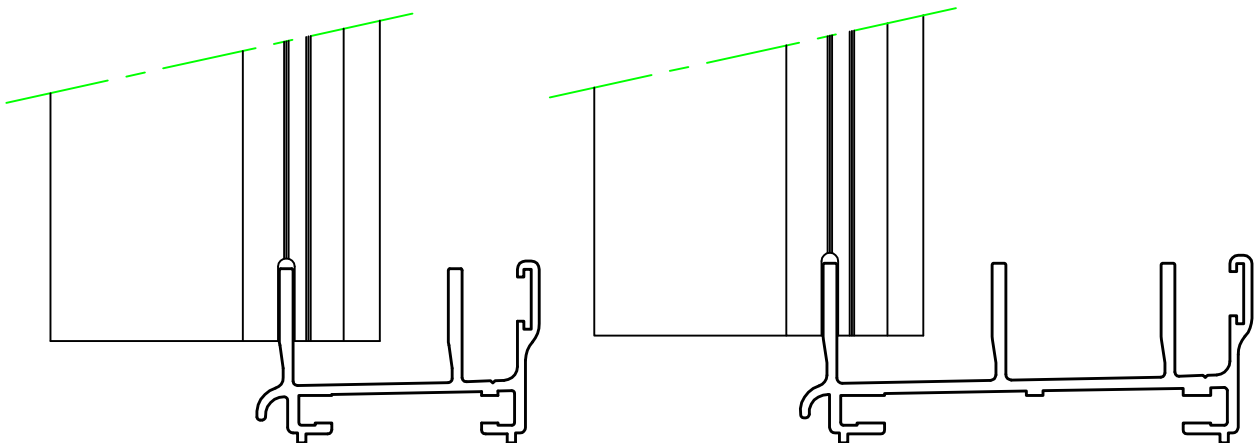
Assembly details of NKHSTSZ and NKHSILZ



OUTSIDE INTERLOCK MACHINING DETAIL FOR
DOUBLE AND TRI-SLIDER WINDOWS



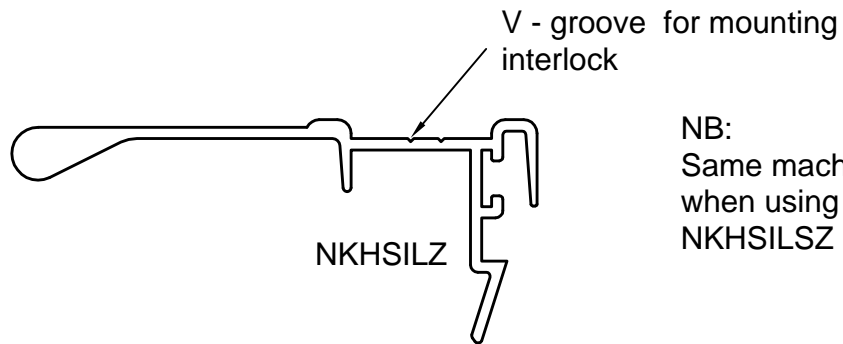
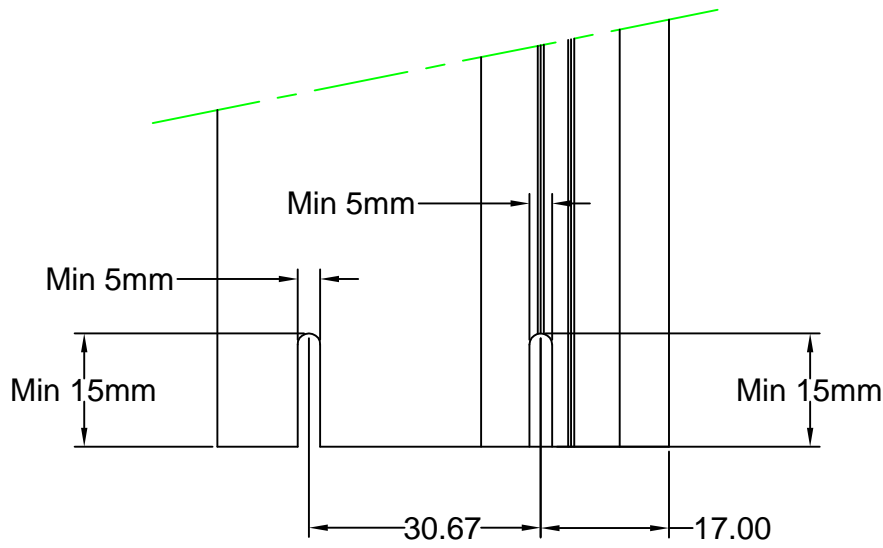
NB:
Same machining required
when using the Low Rise
NKHSILSZ Interlock



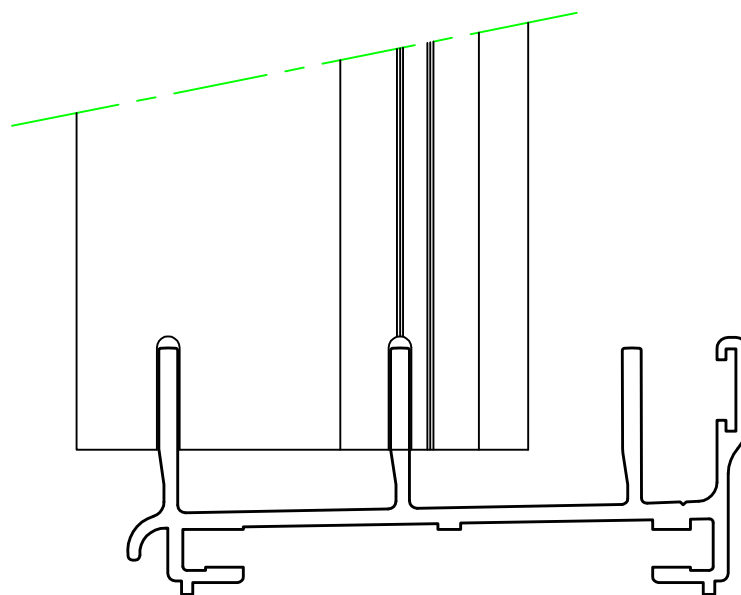
Assembly details of NKHSFRZ / NKHSTSZ and NKHSILZ



OUTSIDE INTERLOCK MACHINING DETAIL FOR TRI-SLIDER WINDOWS



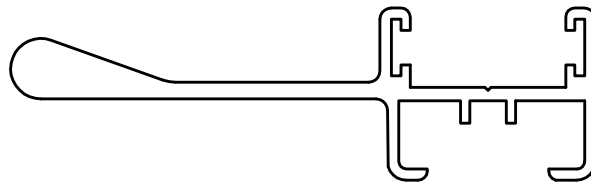
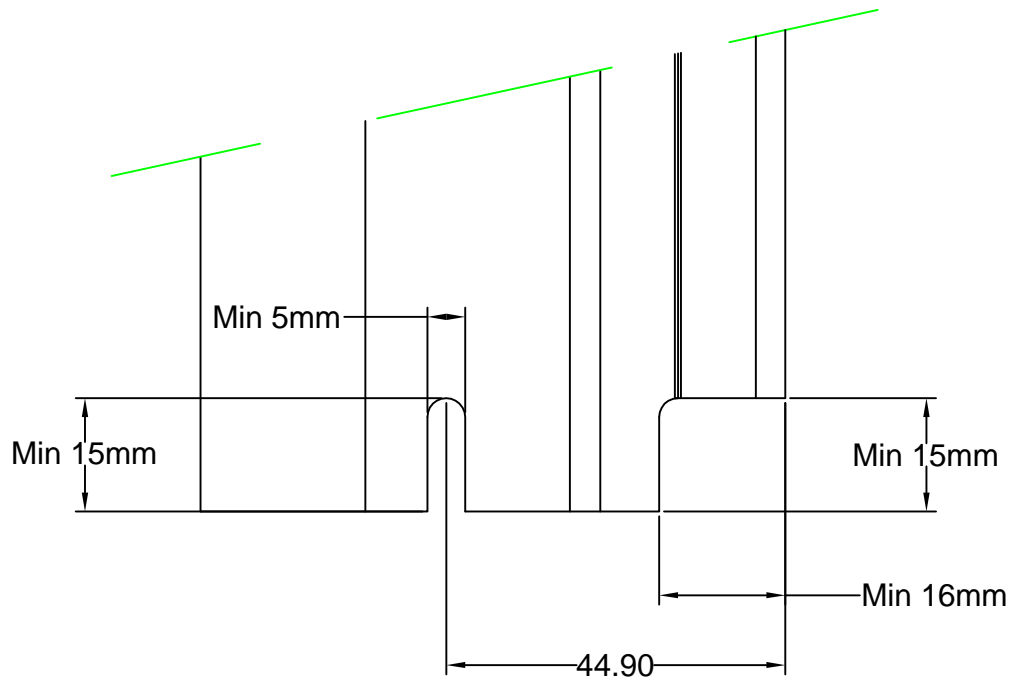
NB:
Same machining required
when using the Low Rise
NKHSILSZ Interlock



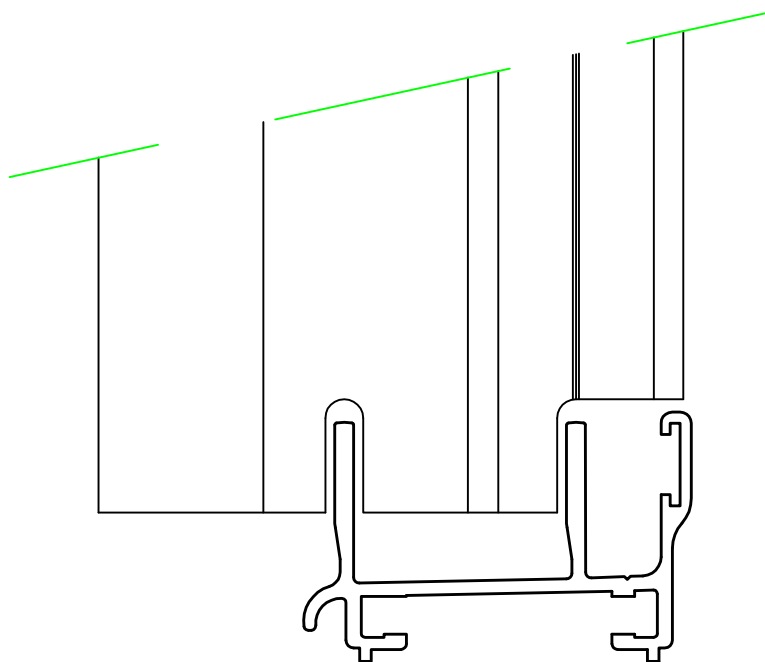
Assembly details of NKHSTSZ and NKHSILZ



MACHINING DETAIL OF MEETING STILE FOR DOUBLE SLIDER WINDOWS



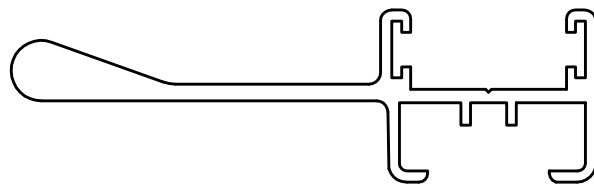
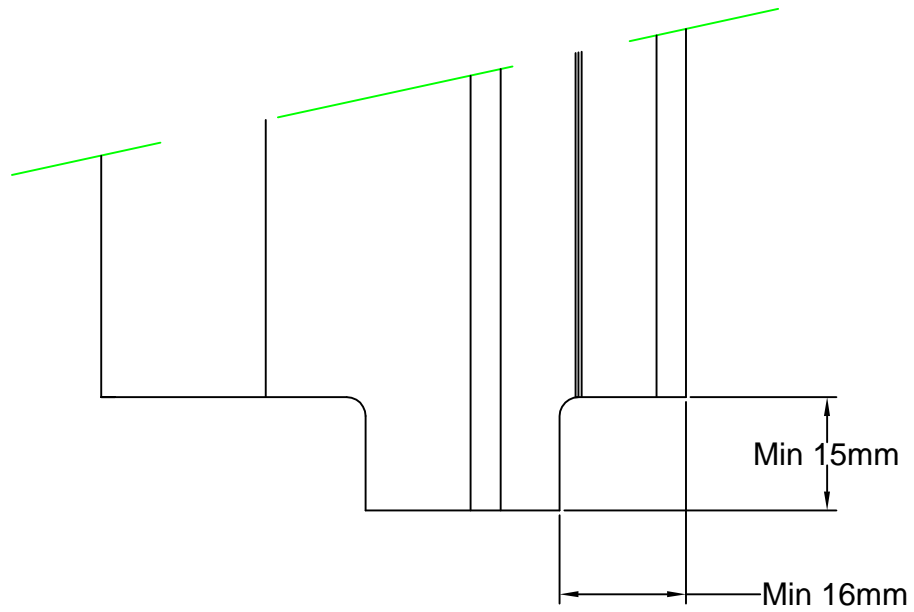
NKHSMSZ



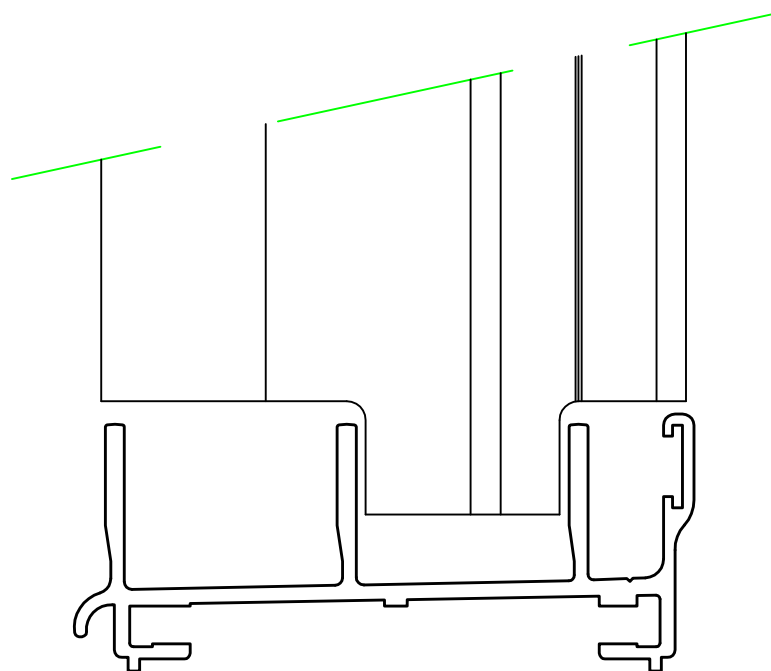
Assembly details of NKHSFRZ and NKHSMSZ



MACHINING DETAIL OF MEETING STILE FOR TRIPLE SLIDER WINDOWS



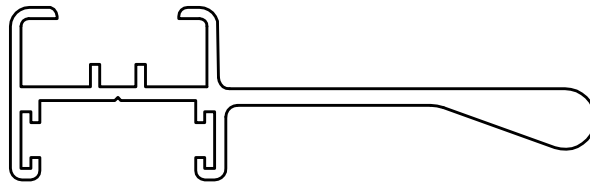
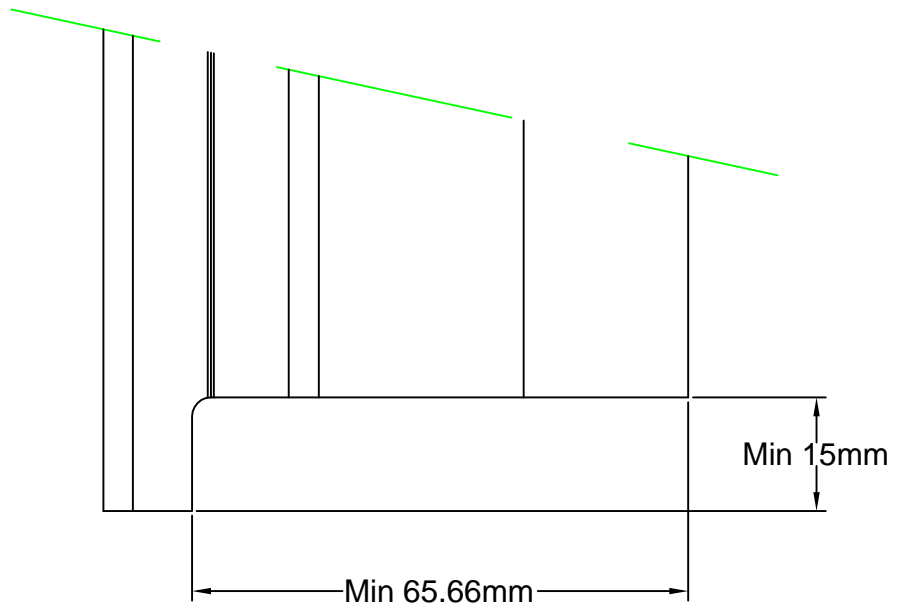
NKHSMSZ



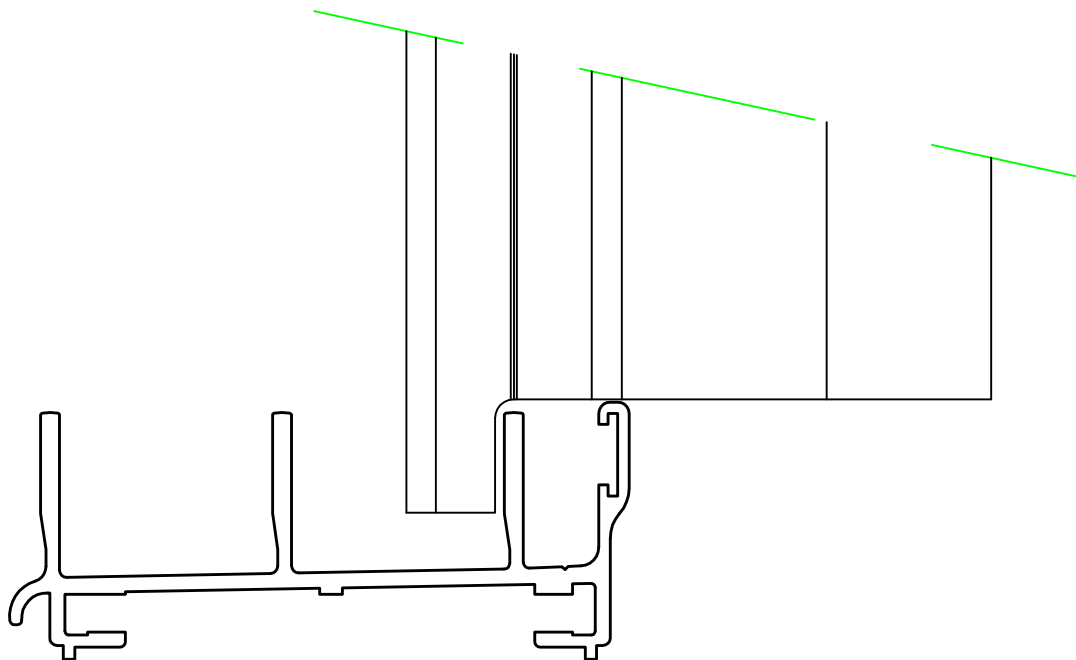
Assembly details of NKHSTSZ and NKHSMSZ



MACHINING DETAIL OF MEETING STILE FOR OXXO
DOUBLE SLIDER WINDOW WITH FLY SCREEN



NKHSMSZ



Assembly details of NKHSTSZ and NKHSMSZ