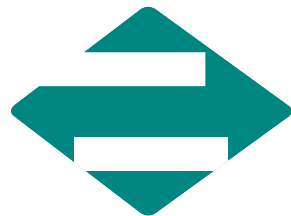


NuKlip

Galaxy Sliding Door

Technical Catalogue



almin

almin metal industries limited

ALMIN PARK
Corner Willowvale & Dagenham Roads
Willowvale, Harare
P O Box ST394
Southerton
Harare
Zimbabwe

Telephones : +263-4-620111/2/6/7/9
Email : tmungure@almin.co.zw
: tmanjeya@almin.co.zw
: customerservice@almin.co.zw
Website : www.almin.co.zw



Part 1 – System Details

1. Introduction.

The NuKlip Galaxy Sliding Door is Sub system of the NuKlip System.

The NuKlip System is a versatile system for Aluminium fenestration from domestic use, to high class and high performance curtainwalls on high-rise buildings whilst maintaining interchangeability of part and/or profiles.

The NuKlip Galaxy Sliding Door is especially designed sub system with specific uses in the sliding door market where doors are required for domestic applications, town house complexes, cluster housing, small office buildings and flat buildings. It also has a use where sliding windows are required of a more sturdy construction.

The doors use newly-designed extrusions with a double woolpile feature all round, to form a well weather-proofed sliding door.

The NuKlip Galaxy Sliding Door can be made in various configurations, which includes a double sliding feature.

The publication provides practical details and solutions, however, in many instances, an individual manufacturer may develop his own method of construction based on available machinery and skills.

It is known from experience that the details shown in this publications are accepted practices in the industry and that weatherproofing is maintained with the details indicated.

In this case of major deviations from suggested details it is recommended that tests are performed to ensure adequate weatherproofing such as water ingress, air infiltration and deflection under the specified windloading.

The design of NuKlip Galaxy Sliding Door does make provision for top and/or side light configurations. These details are indicated in separate publication.

With the NKGAI, the heavy duty interlock section, heavier wind loading conditions can be catered for, depending on the overall sizes and configuration of the sliding door or sliding window.

The NuKlip Galaxy Sliding Door System incorporates the Dry Glazing method using Clip-in beading with butterfly and wedge gaskets.

Weatherproofing is achieved by the use of double woolpile in the outer frame sections and the interlocks profiles, thus giving a double barrier against wind and water infiltration. The recommended types of woolpile are indicated in the list of components later in this publication.

An Adam Rite hooklock provides secure locking of the NuKlip Galaxy Sliding Door.

This publication indicates some alternatives solutions, such as midrails, additional weather proofing for exposed areas and the HiRise interlock.



2. Design Basis & System usage

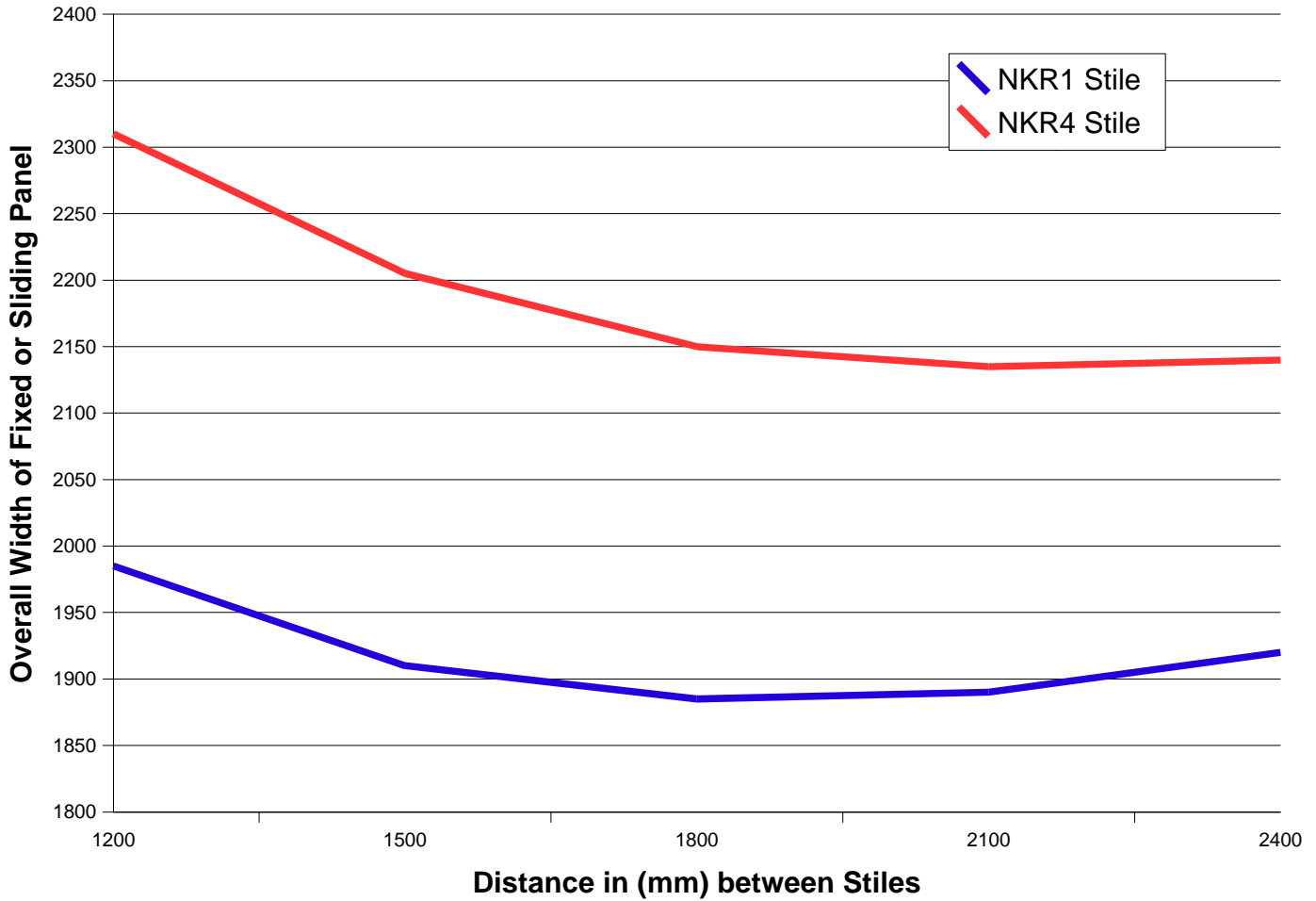
Design Basis of NuKlip Galaxy Sliding Door included the following main requirements:

1. A minimum of machining, with mainly square cutting,
2. Minimum number of profile sections,
3. Good weather protection,
4. Ease of operation,
5. Must accept safety glass types,
6. Double sliding for total flexibility,
7. Ease of maintenance.

System Usage of the NuKlip Galaxy Sliding Door

This sliding door is particularly suited for conditions where the normal Patio Door can not be used because of height and/or design windload requirements.

NuKlip Galaxy Sliding Door Stile SIZE LIMITATION CHART at 740Pa

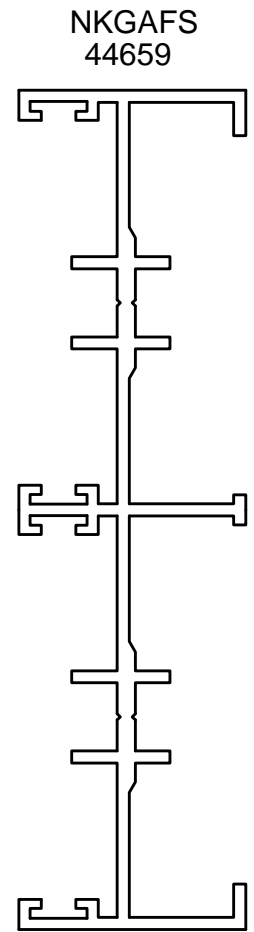
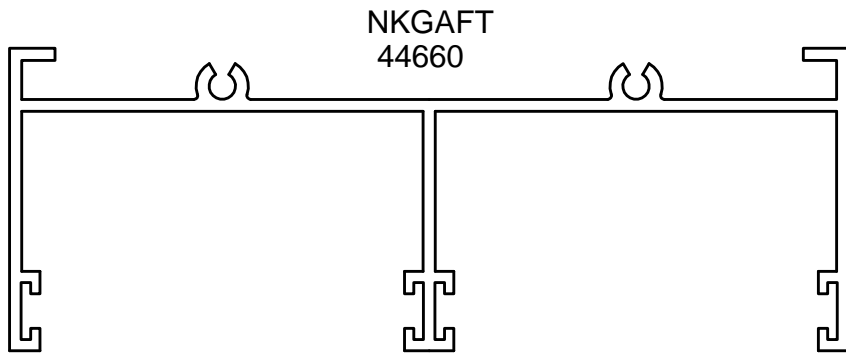


The chart above indicates the maximum height in mm of the unsupported door stiles under the 740 Pa Wind Loading as may specified by the client or professional Team. The interlock stiles are typical examples of unsupported door stiles.

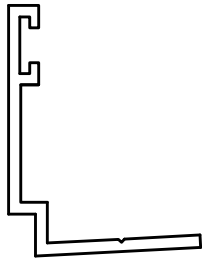
A supported door stile would be the lock stile which is fully supported by the frame side, which in turn is fixed to the carcass work of the building.

Note:

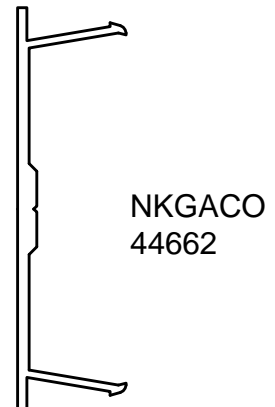
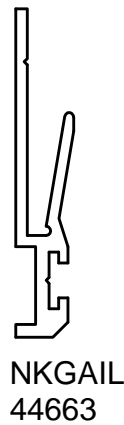
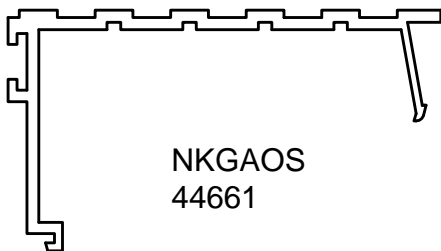
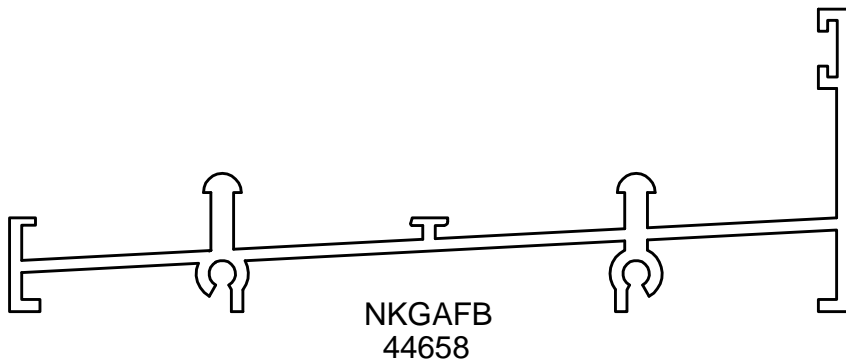
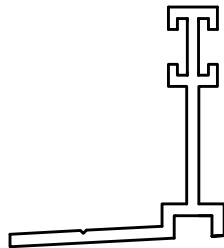
The NuKlip Galaxy Door System can also be used as sliding windows in exposed to very exposed positions also because up to 8.5mm thick glass can be accommodated in the system



NKGASW
44806

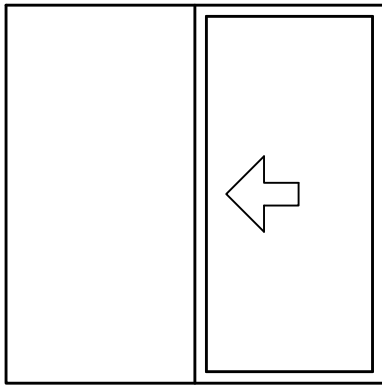


NKGACW
44807

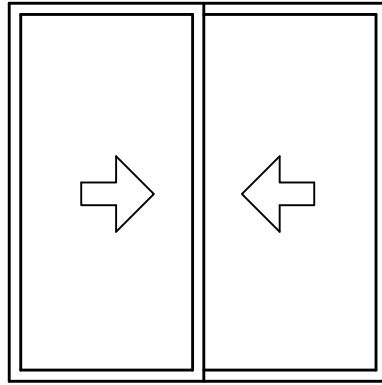




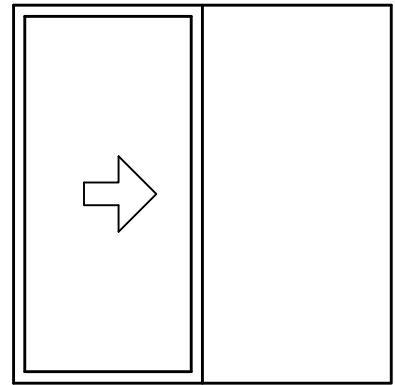
SLIDING DOORS TYPES



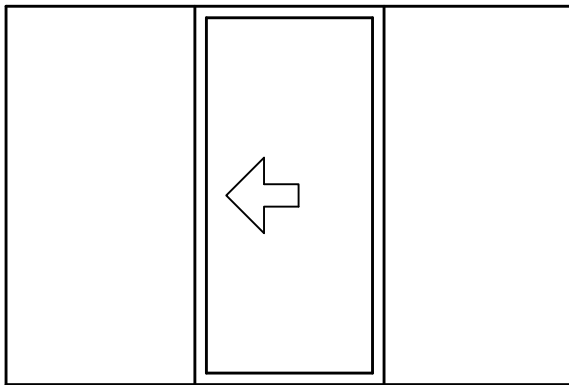
OX



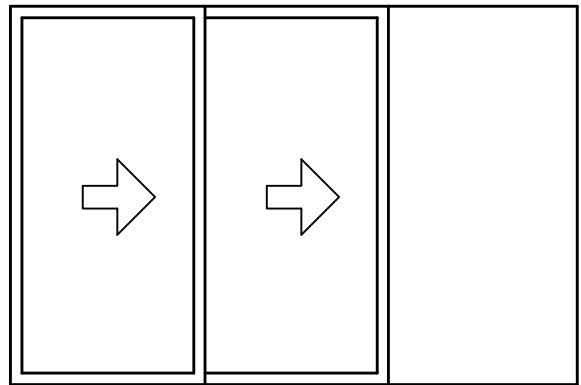
XX



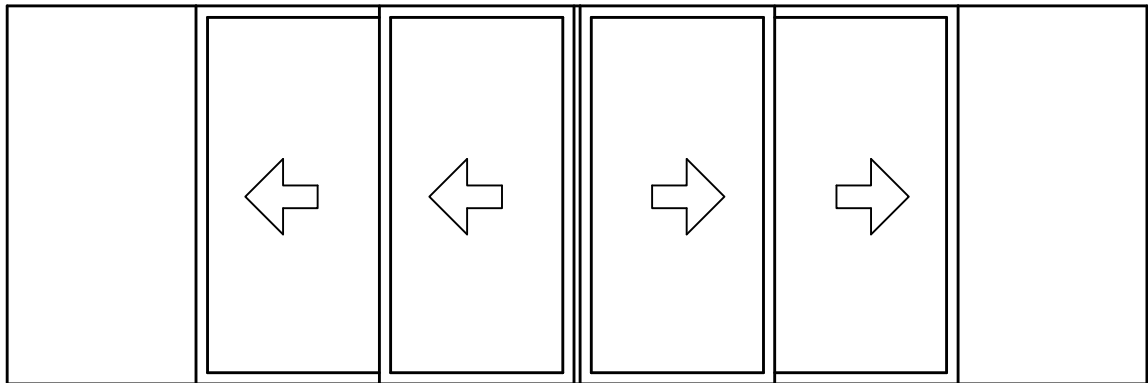
XO



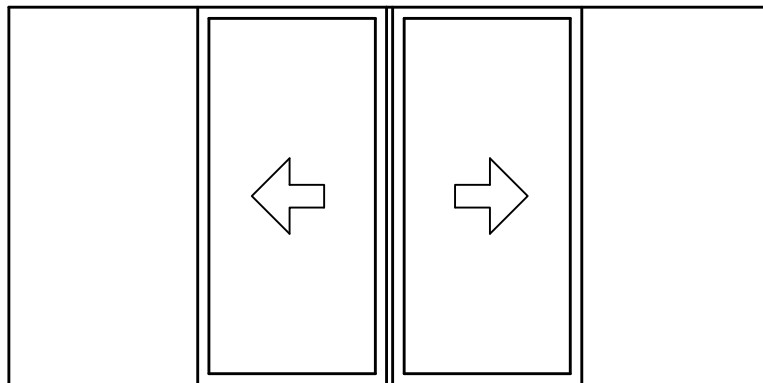
OXO



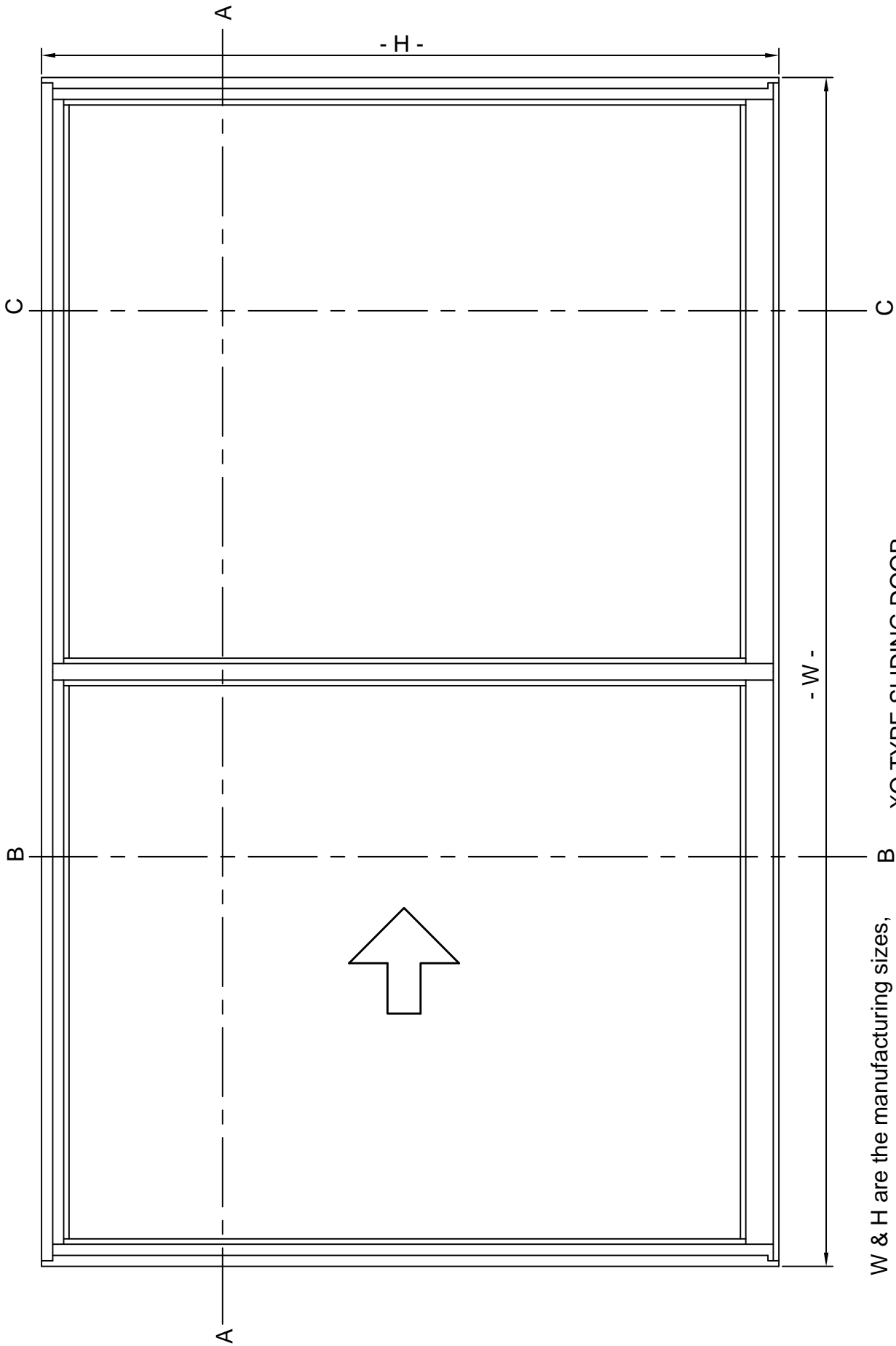
XXO (Not Stocked)



OXXXXO (Not Stocked)



OXXO



W & H are the manufacturing sizes,
NOT the opening sizes in the building.

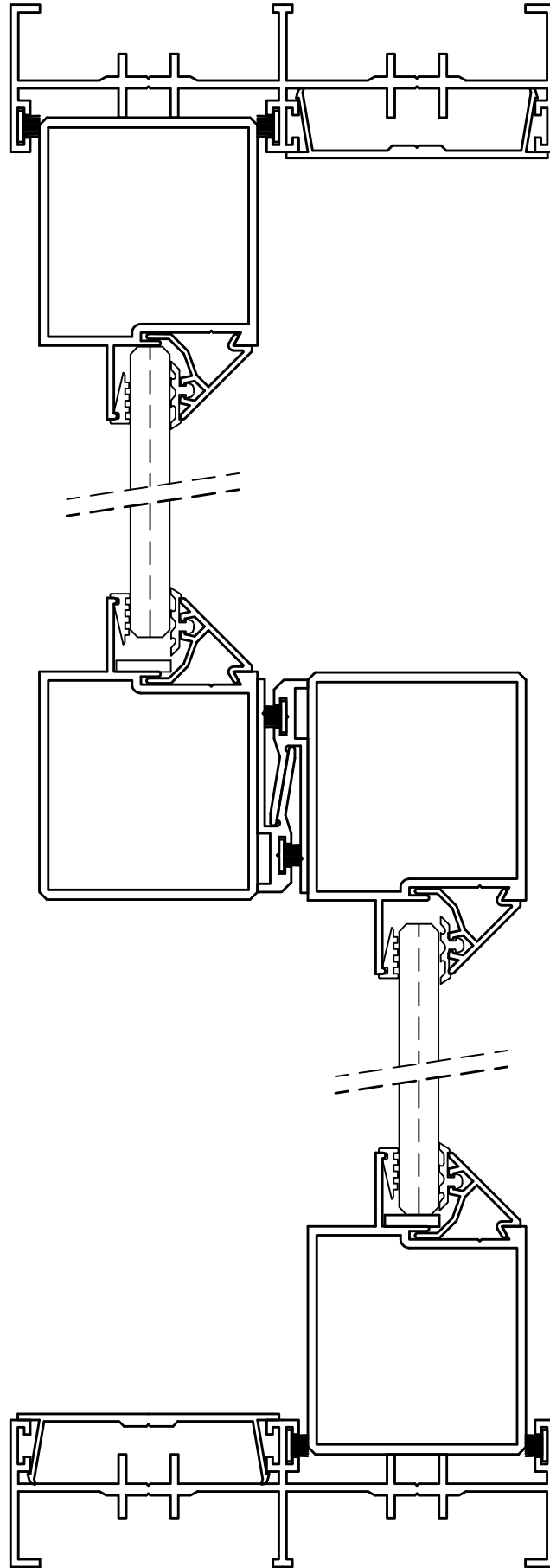
B XO TYPE SLIDING DOOR



SECTION A - A

INSIDE

FRAME - SLIDE GALAXY DOOR

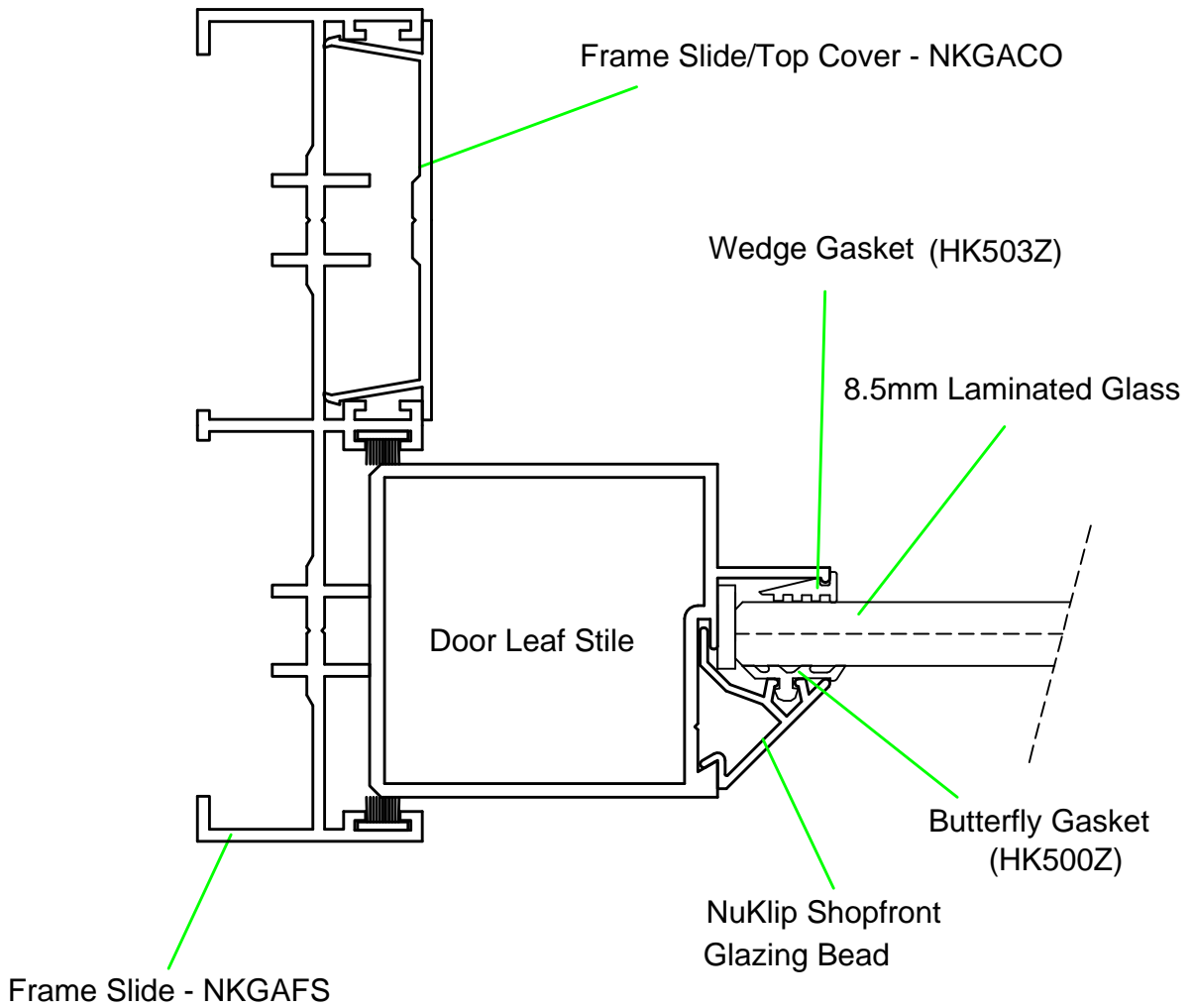


FRAME - STILE GALAXY

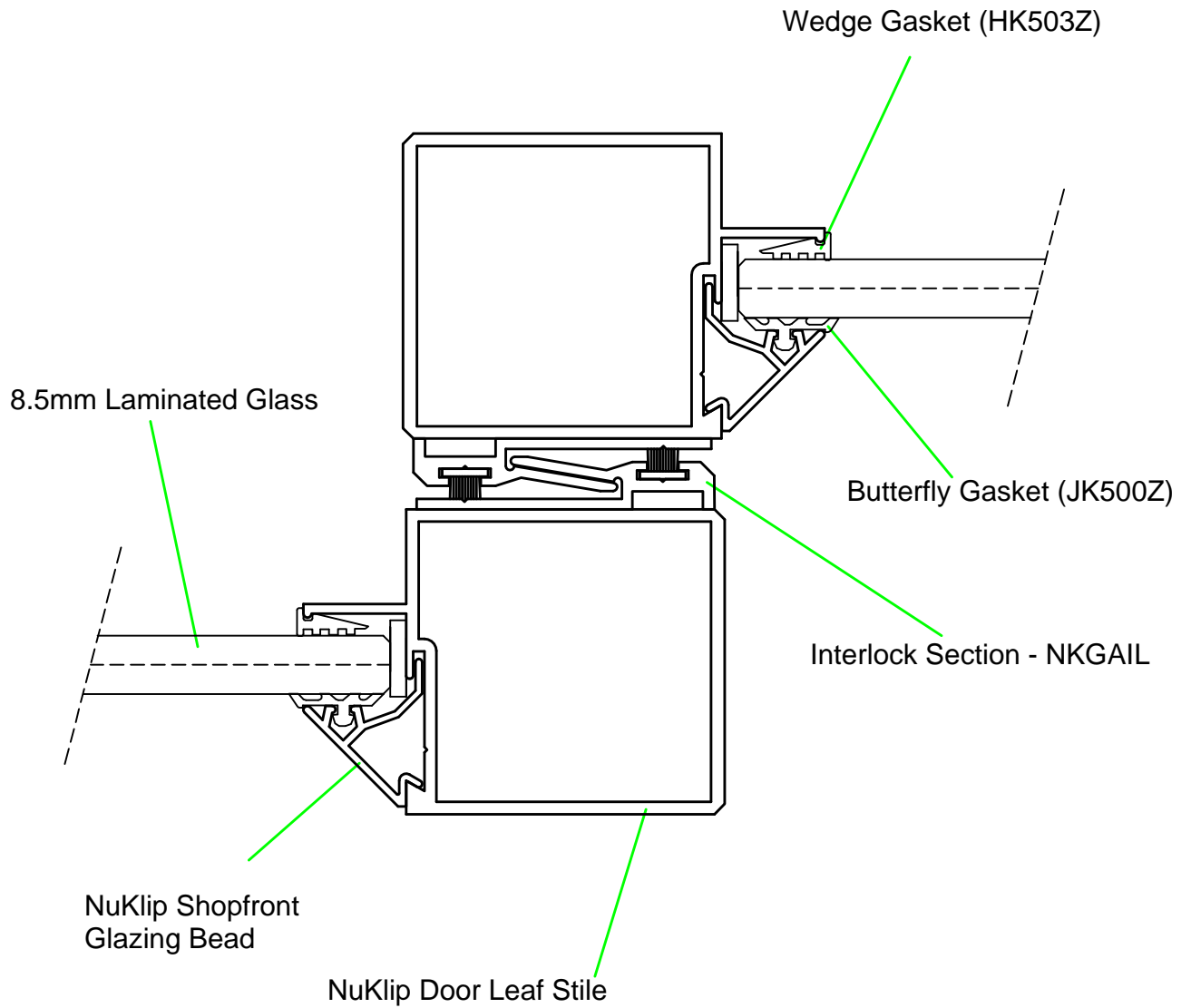
INTERLOCK GALAXY DOOR

-W-

XO TYPE SLIDING DOOR



GALAXY DOOR - FRAME SIDE/DOOR STILE DETAIL

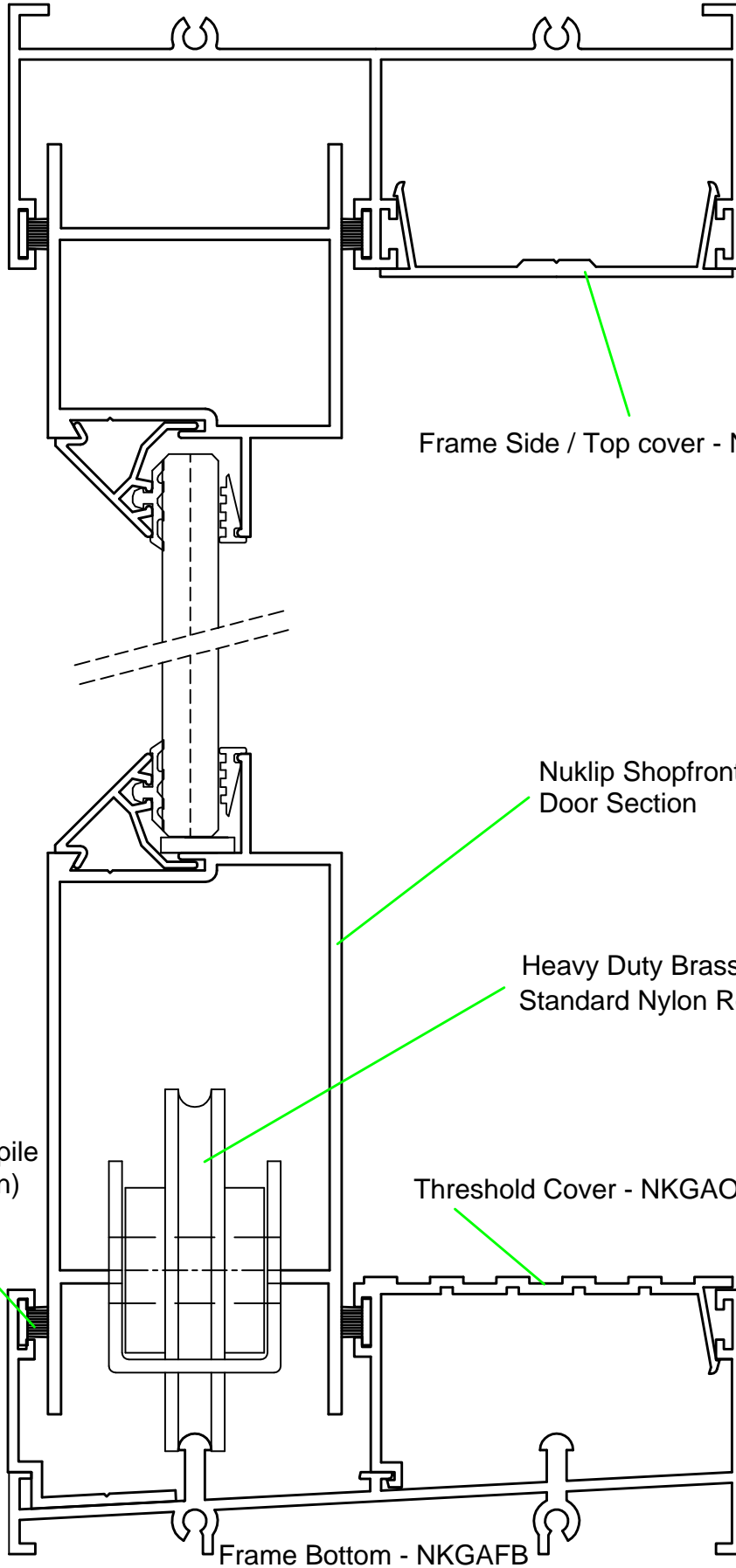


NB:
Alternatively you can use NKR4WP

Galaxy Door Interlock Details



SECTION B - B



Frame Top
Galaxy Door

Frame Side / Top cover - NKGACO

Inside

Nuklip Shopfront
Door Section

Heavy Duty Brass Roller or
Standard Nylon Roller

Galaxy Side Woolpile
(Anti-Lift Protection)

Threshold Cover - NKGAOS

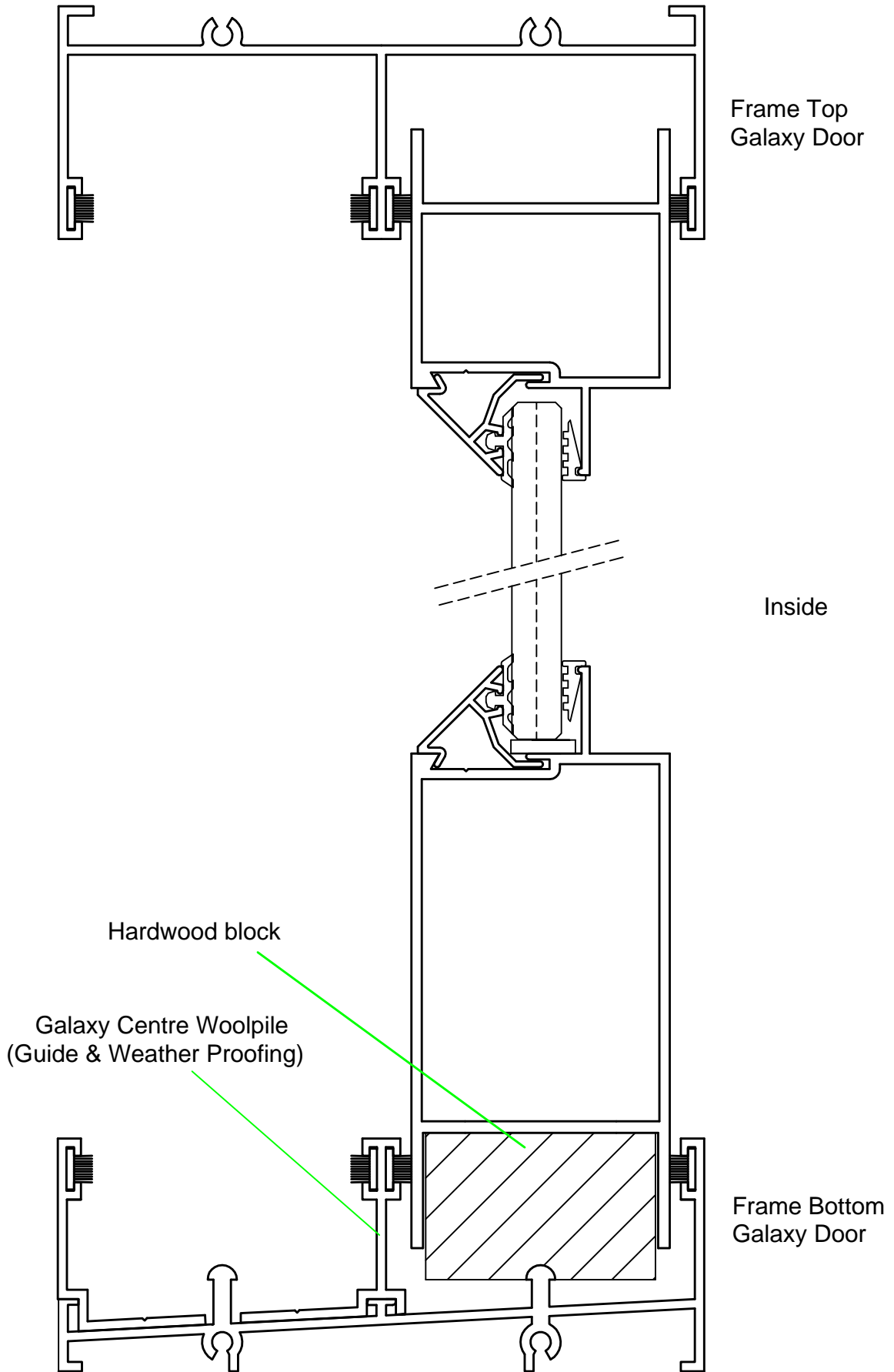
Frame Bottom
Galaxy Door

Frame Bottom - NKGAFB

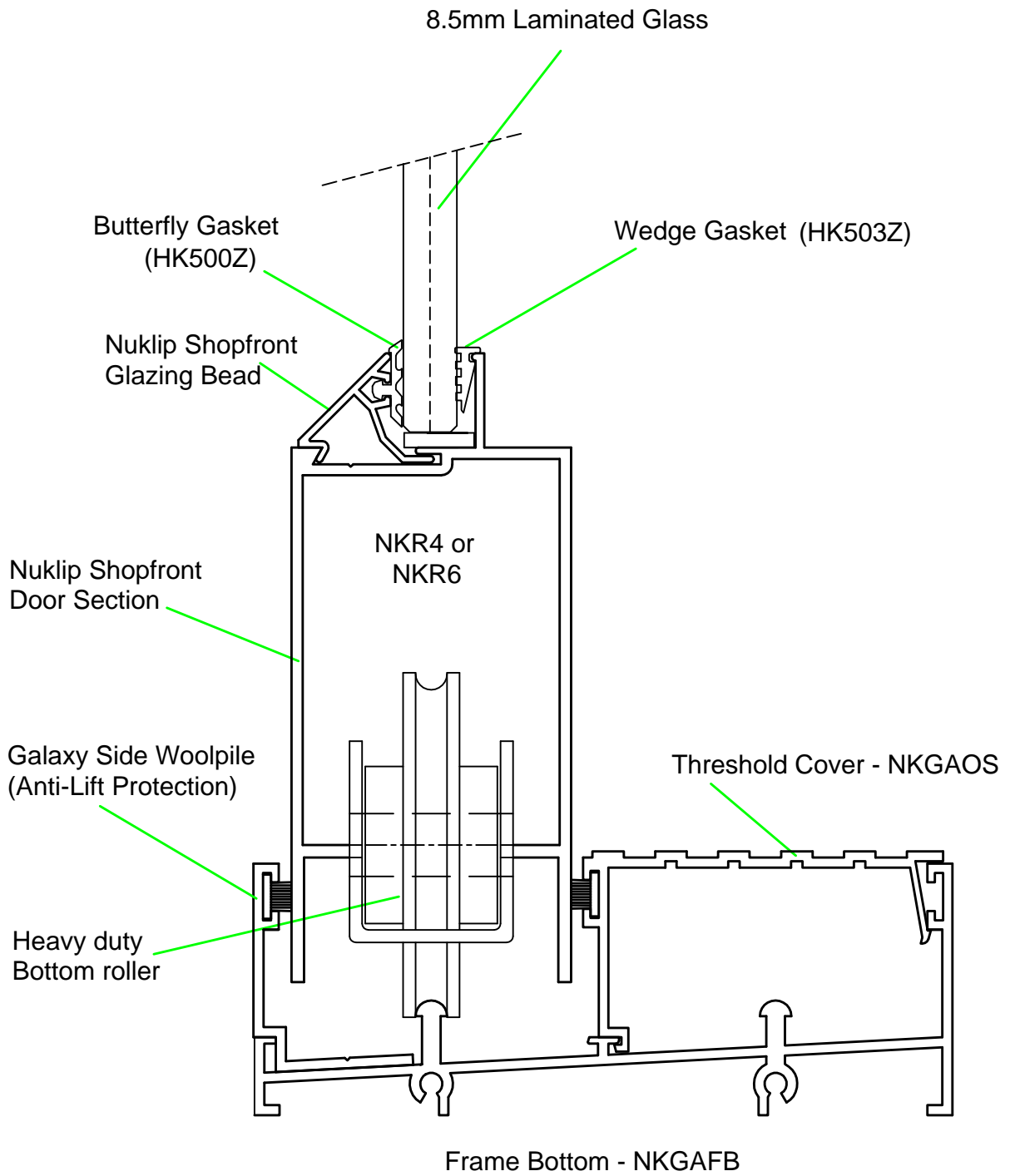
Galaxy XO Type Sliding Door



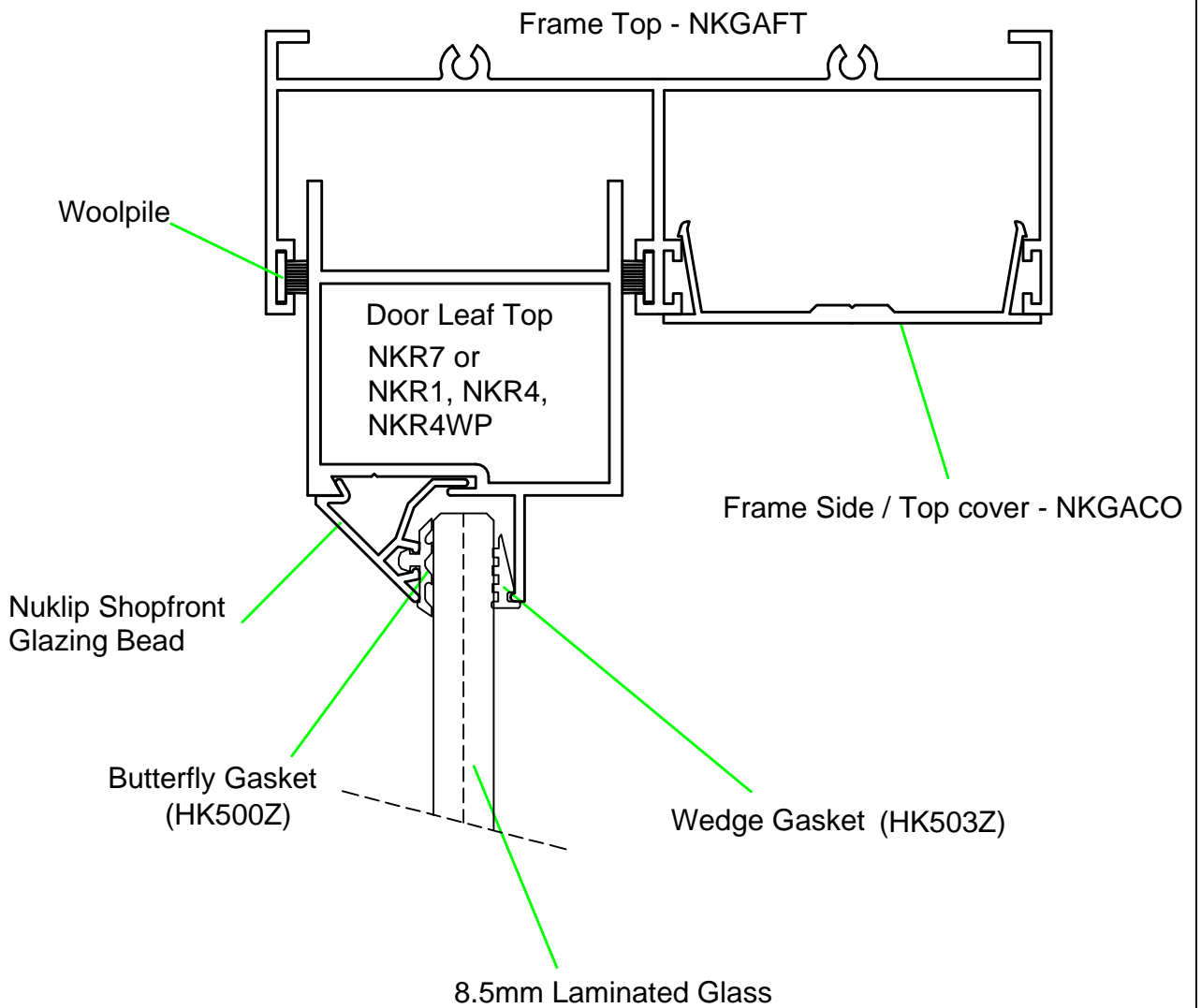
SECTION C - C



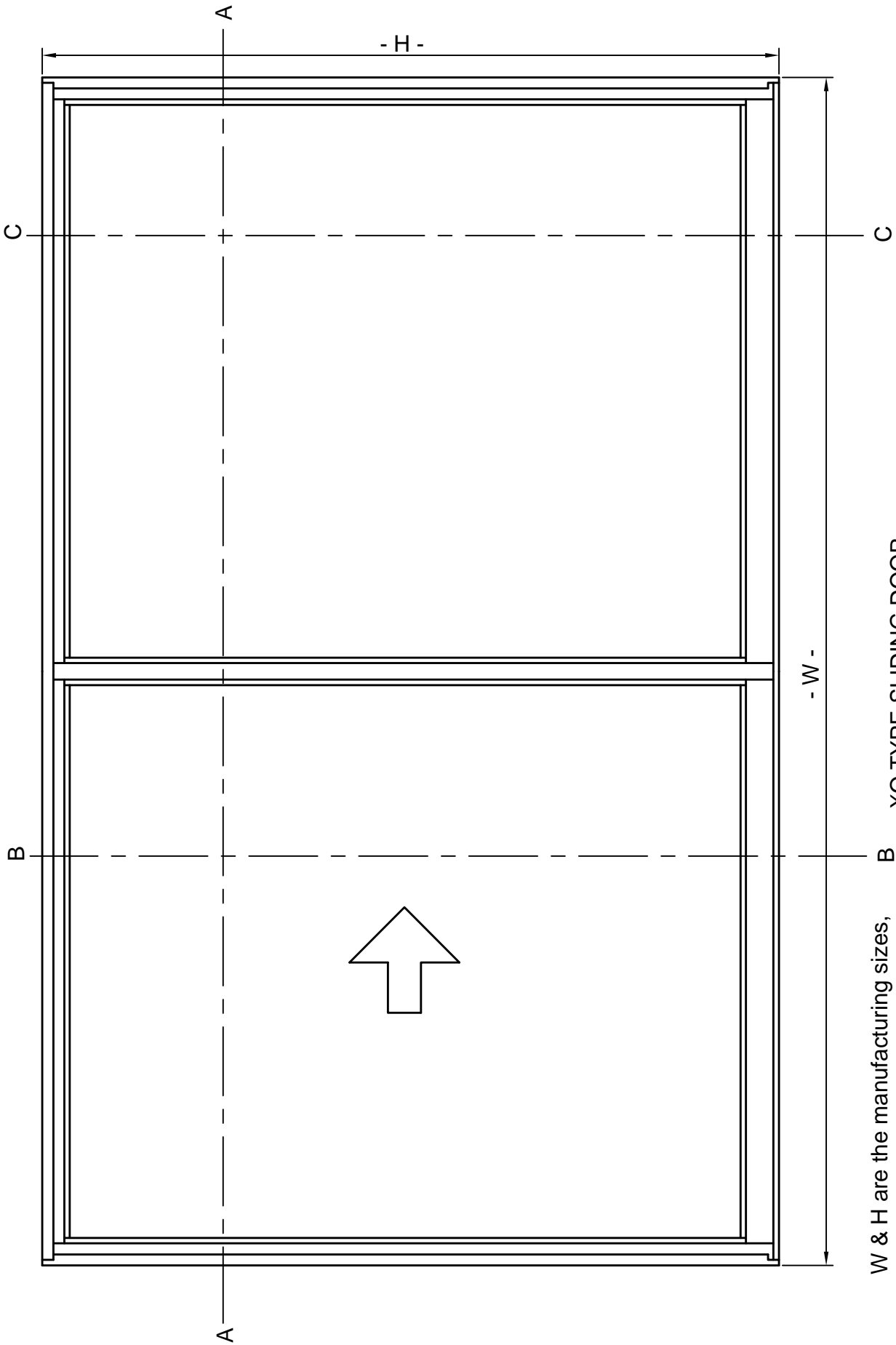
Galaxy XO Type Sliding Door



XO Galaxy Frame Bottom / Door Leaf Bottom Detail



XO Galaxy Door - Frame Top / Door Top Detail

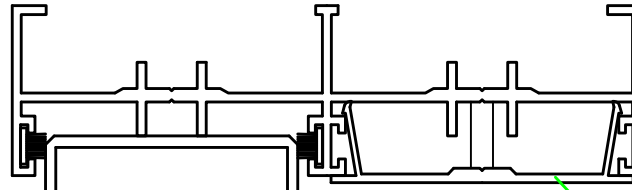


W & H are the manufacturing sizes,
NOT the opening sizes in the building. B XO TYPE SLIDING DOOR



SECTION A - A

FRAME - SLIDE GALAXY DOOR



Frame Slide/Top Cover - NKGACO

NKBD19

Wedge gasket (HK503Z)

Butterfly gasket (HK500Z)

INTERLOCK GALAXY DOOR

INSIDE

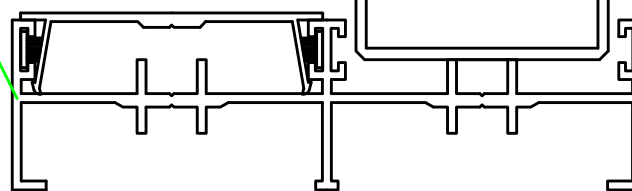
OUTSIDE

-W-

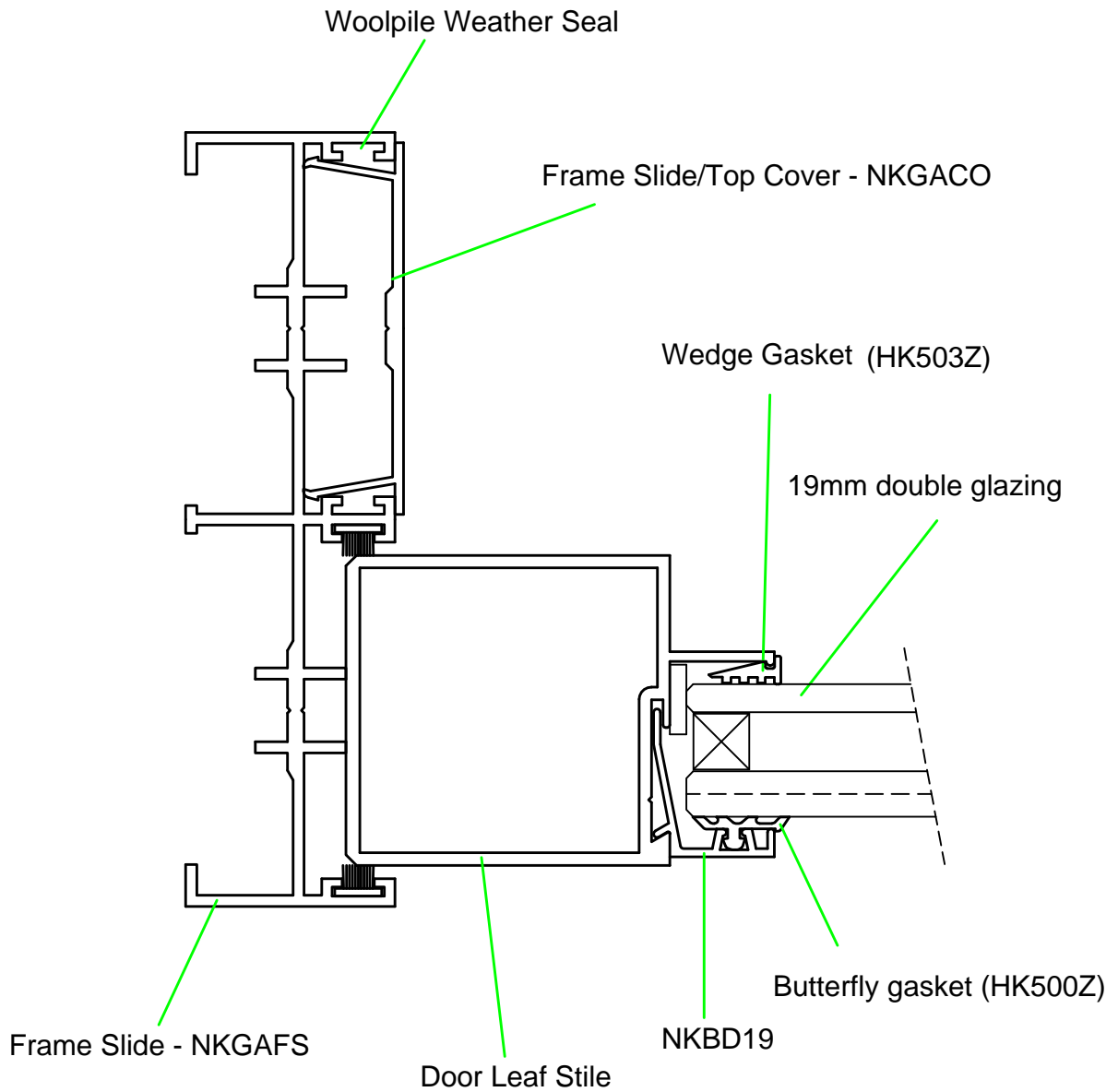
XO TYPE SLIDING DOOR

NOTE!
FOR DOUBLE GLAZING USE
NKR4WP OR STRONGER
ON THE CENTRE STILES

Frame Slide - NKGAFS



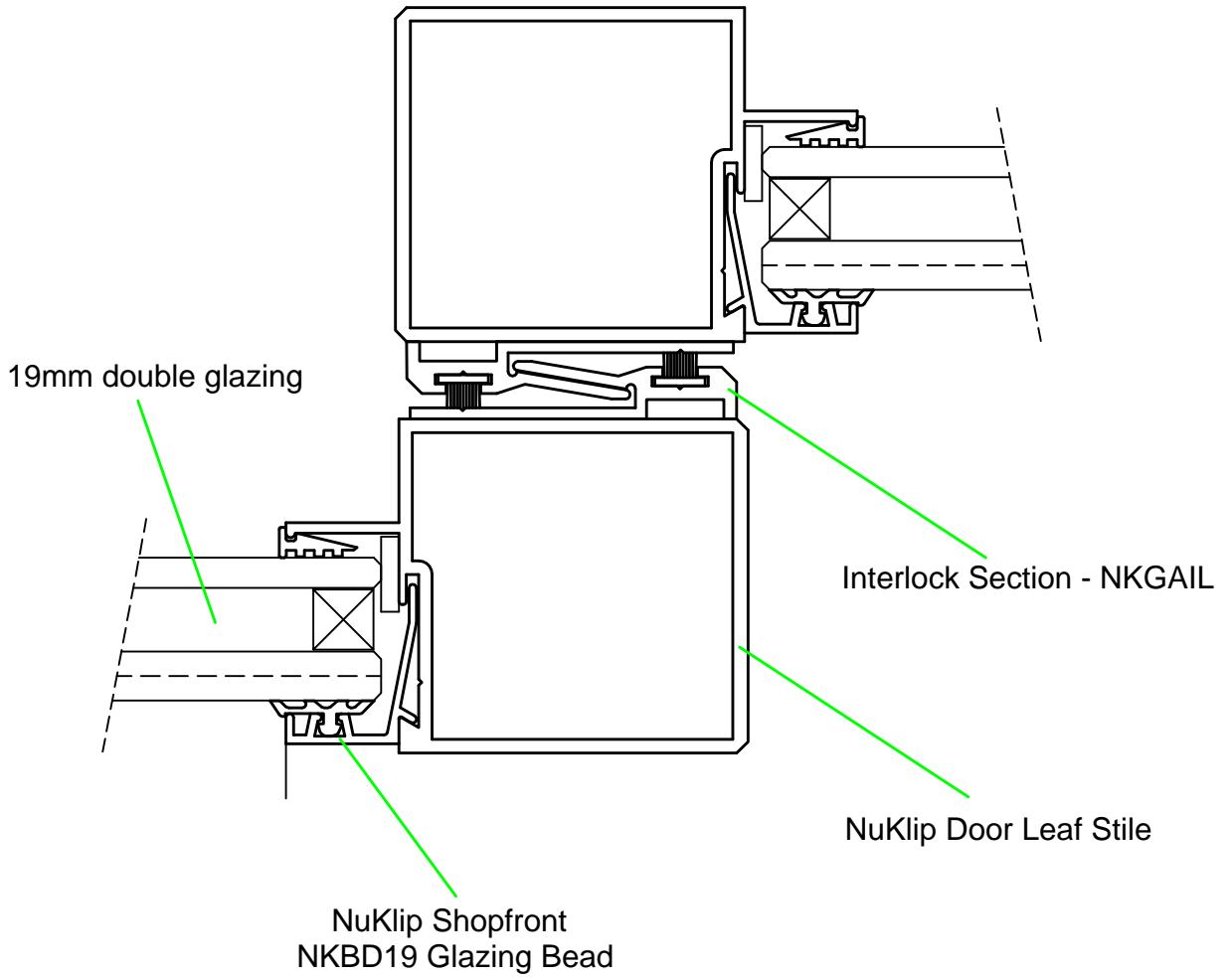
FRAME - STILE GALAXY



GALAXY DOOR - FRAME SIDE/DOOR STILE DETAIL



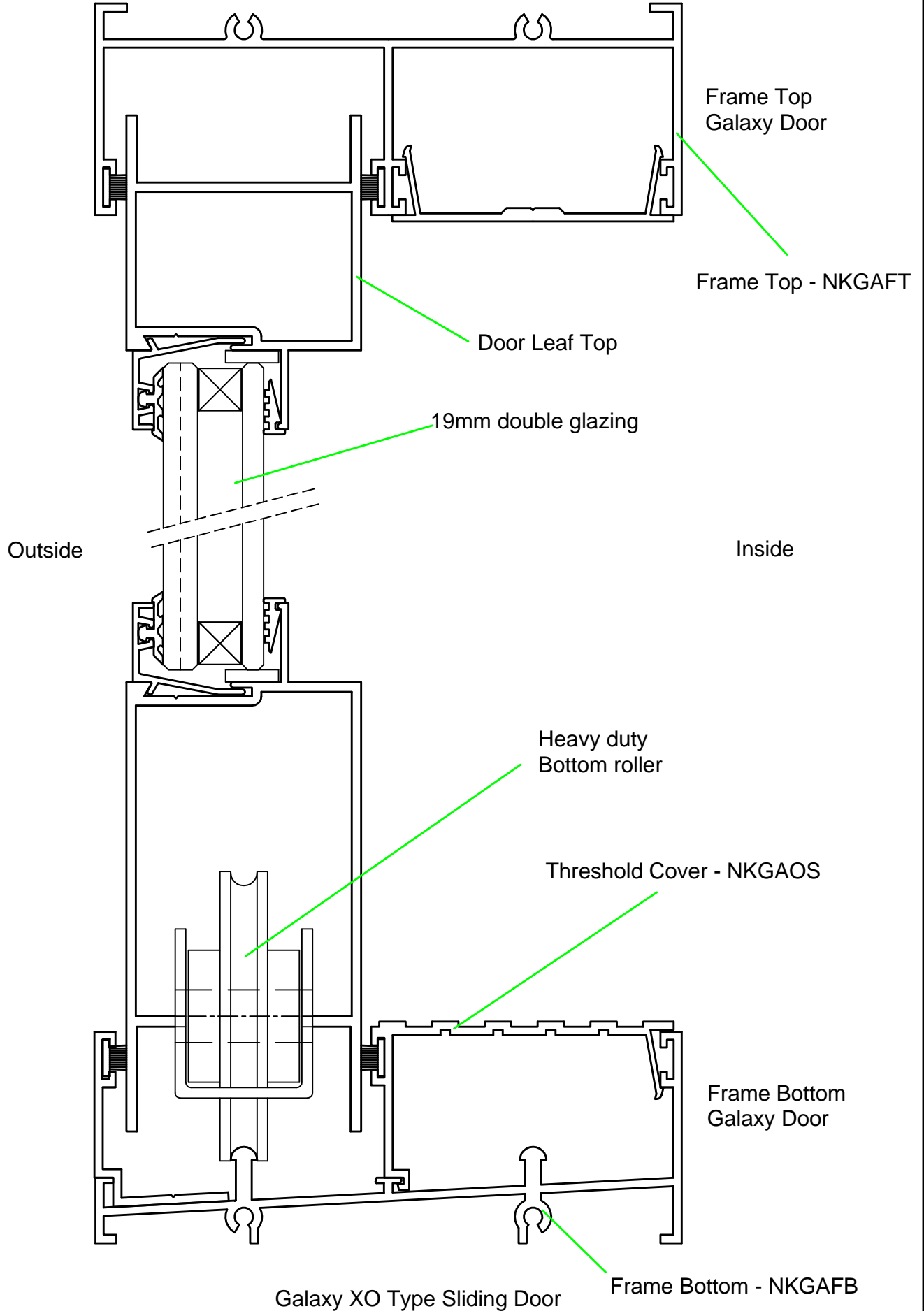
NOTE!
FOR DOUBLE GLAZING USE
NKR4WP OR STRONGER
ON THE CENTRE STILES

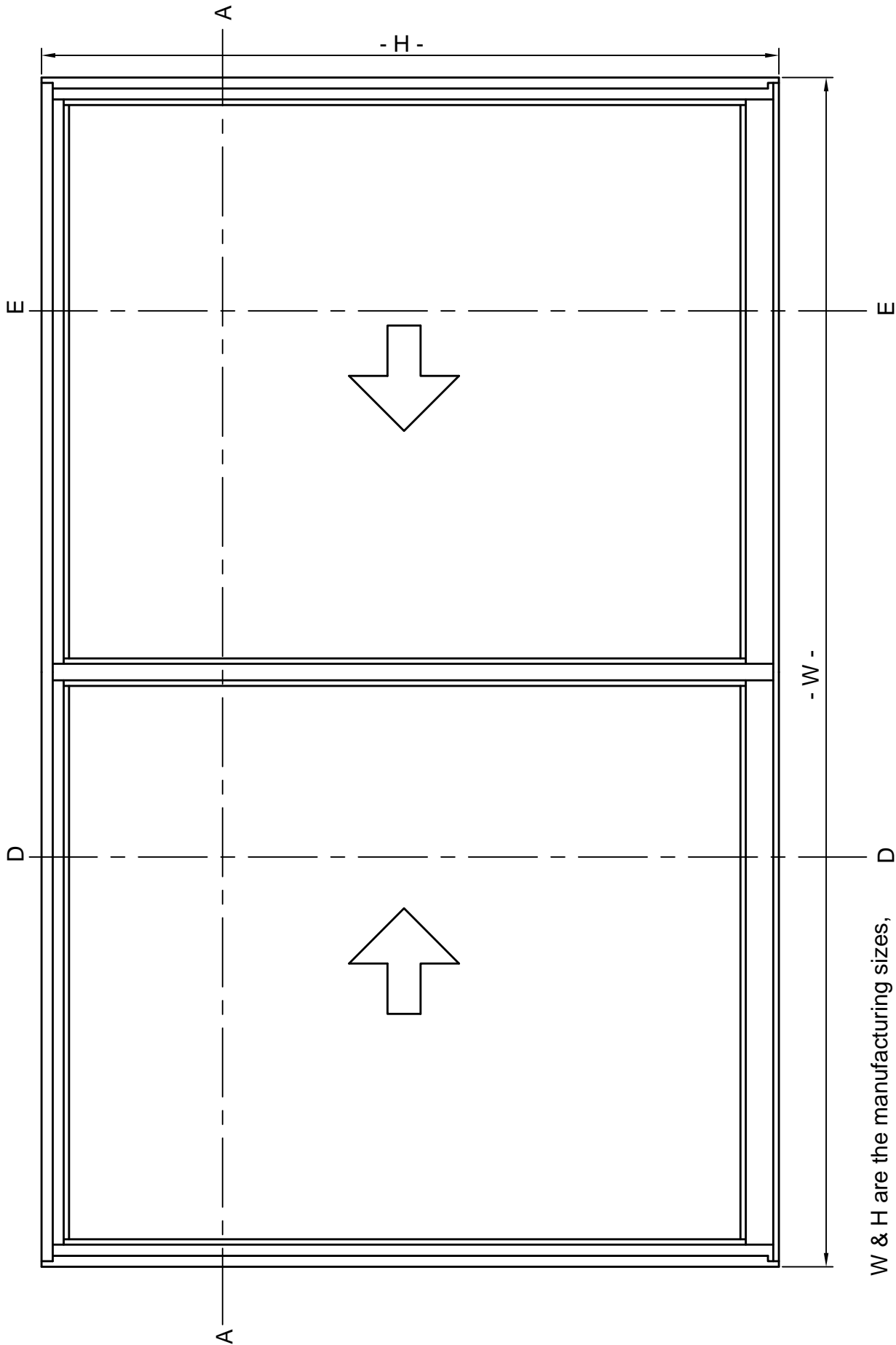


Galaxy Door Interlock Details



SECTION B - B

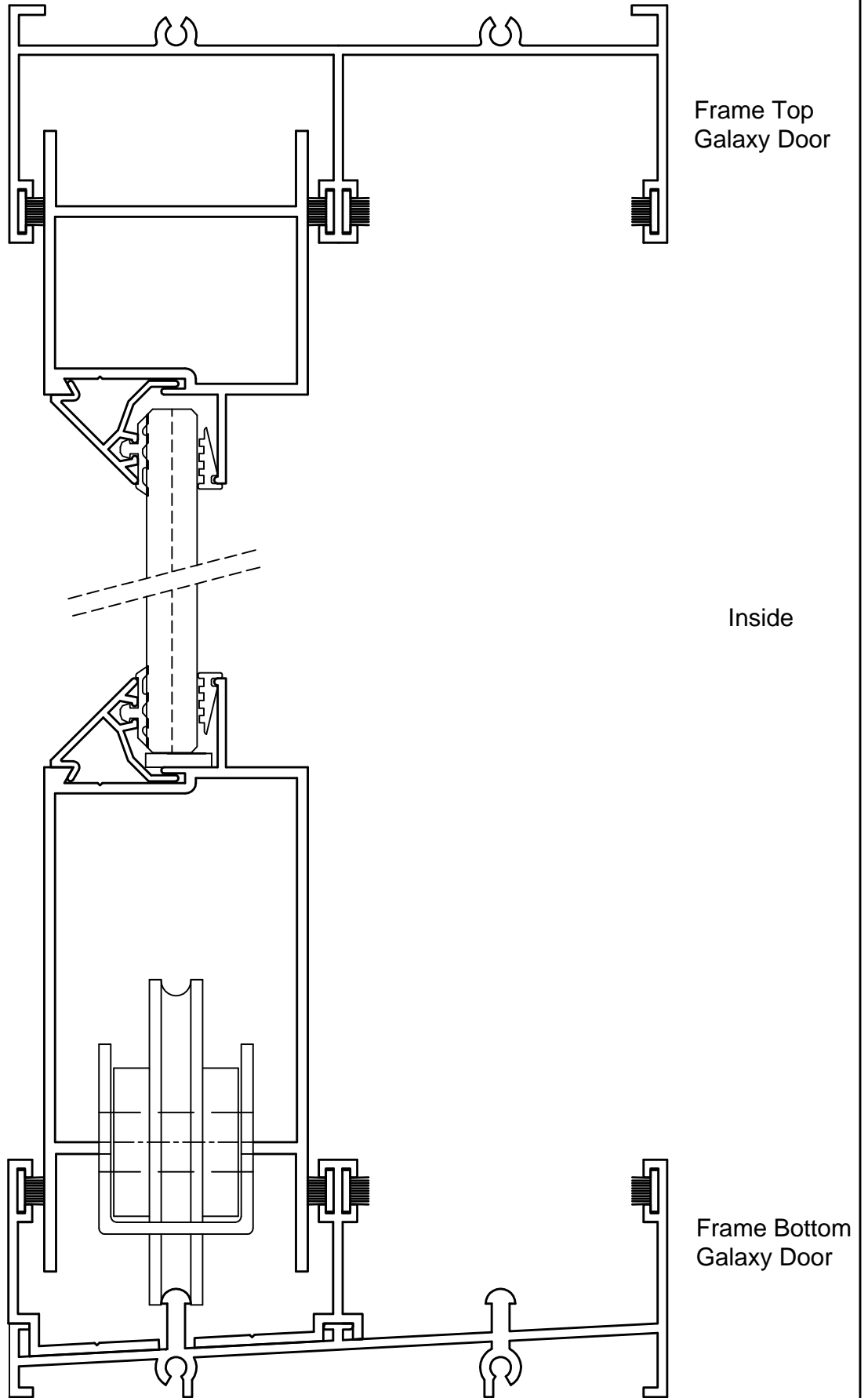




W & H are the manufacturing sizes,
NOT the opening sizes in the building.



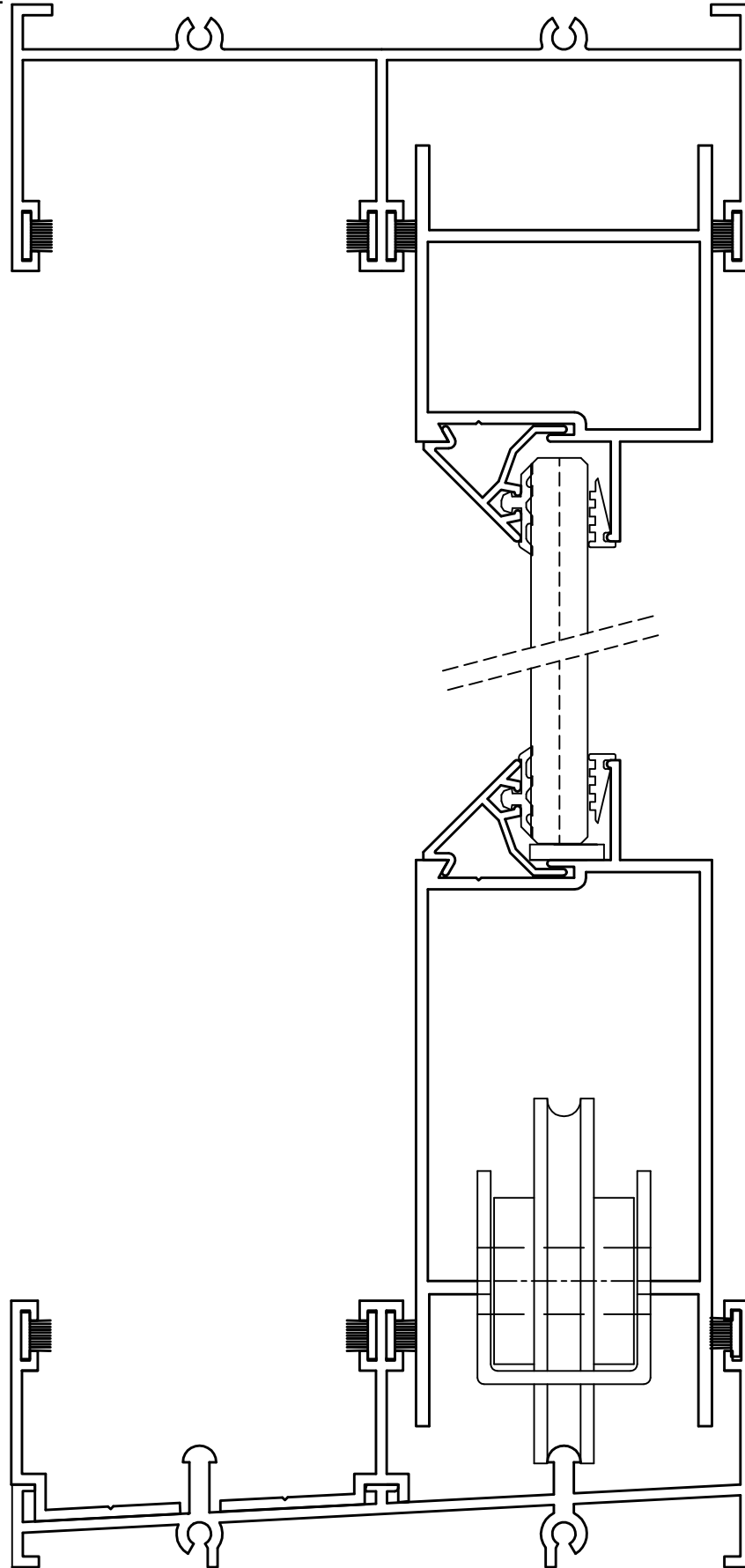
SECTION D - D



Galaxy XO Type Sliding Door



SECTION E - E

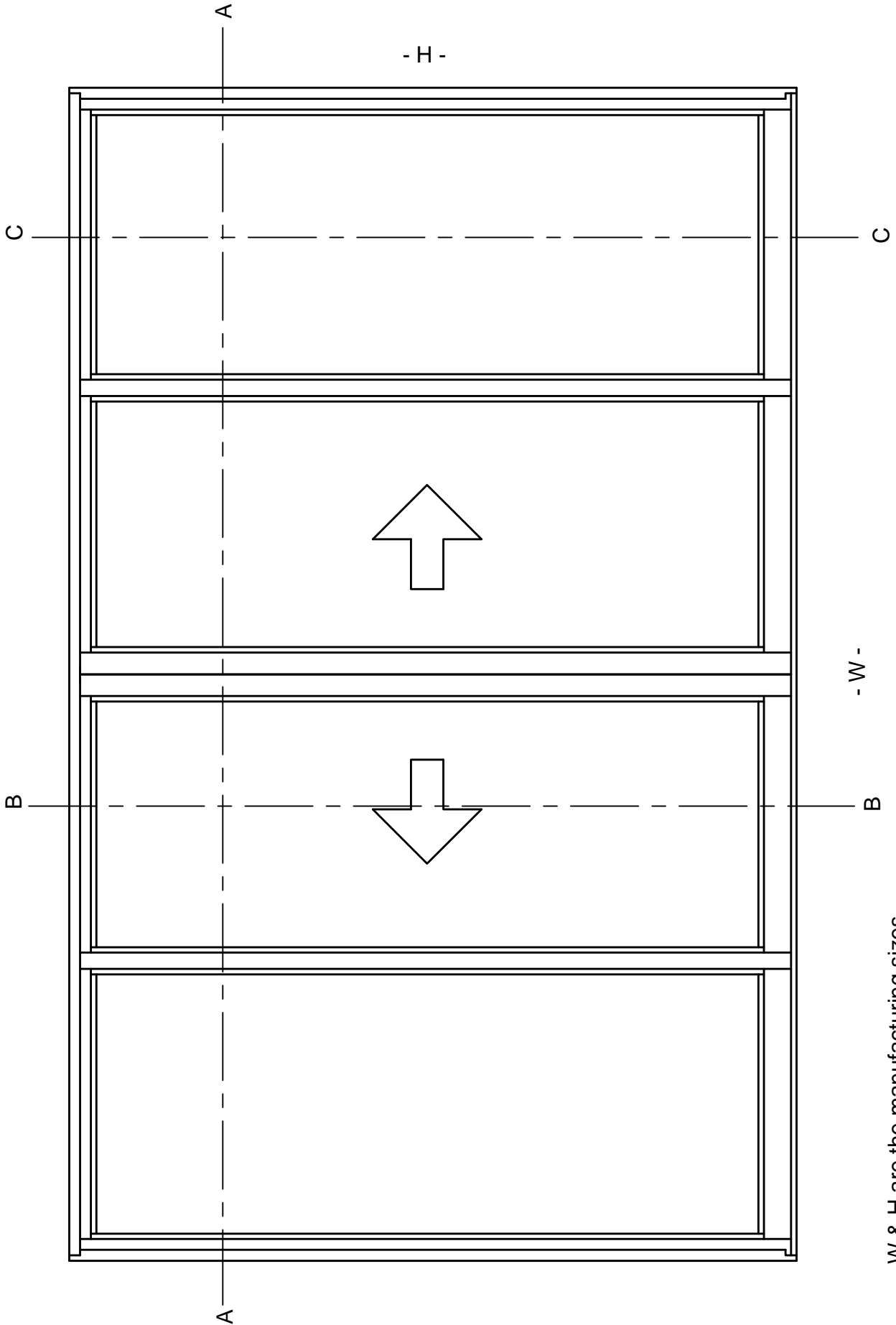


Frame Top
Galaxy Door

Inside

Frame Bottom
Galaxy Door

Galaxy XO Type Sliding Door



W & H are the manufacturing sizes,
NOT the opening sizes in the building. OXXO TYPE SLIDING DOOR

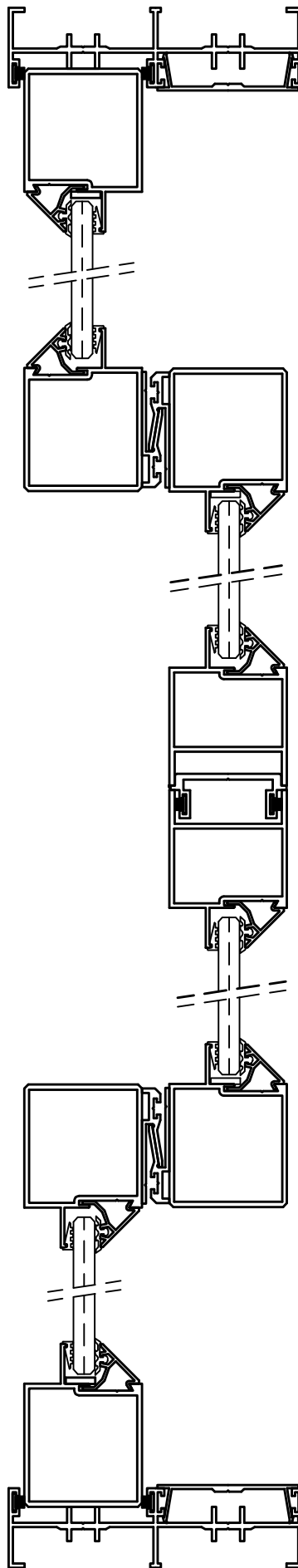


SECTION A - A

INSIDE

INTERLOCK GALAXY DOOR

INTERLOCK GALAXY DOOR



FRAME - STILE GALAXY

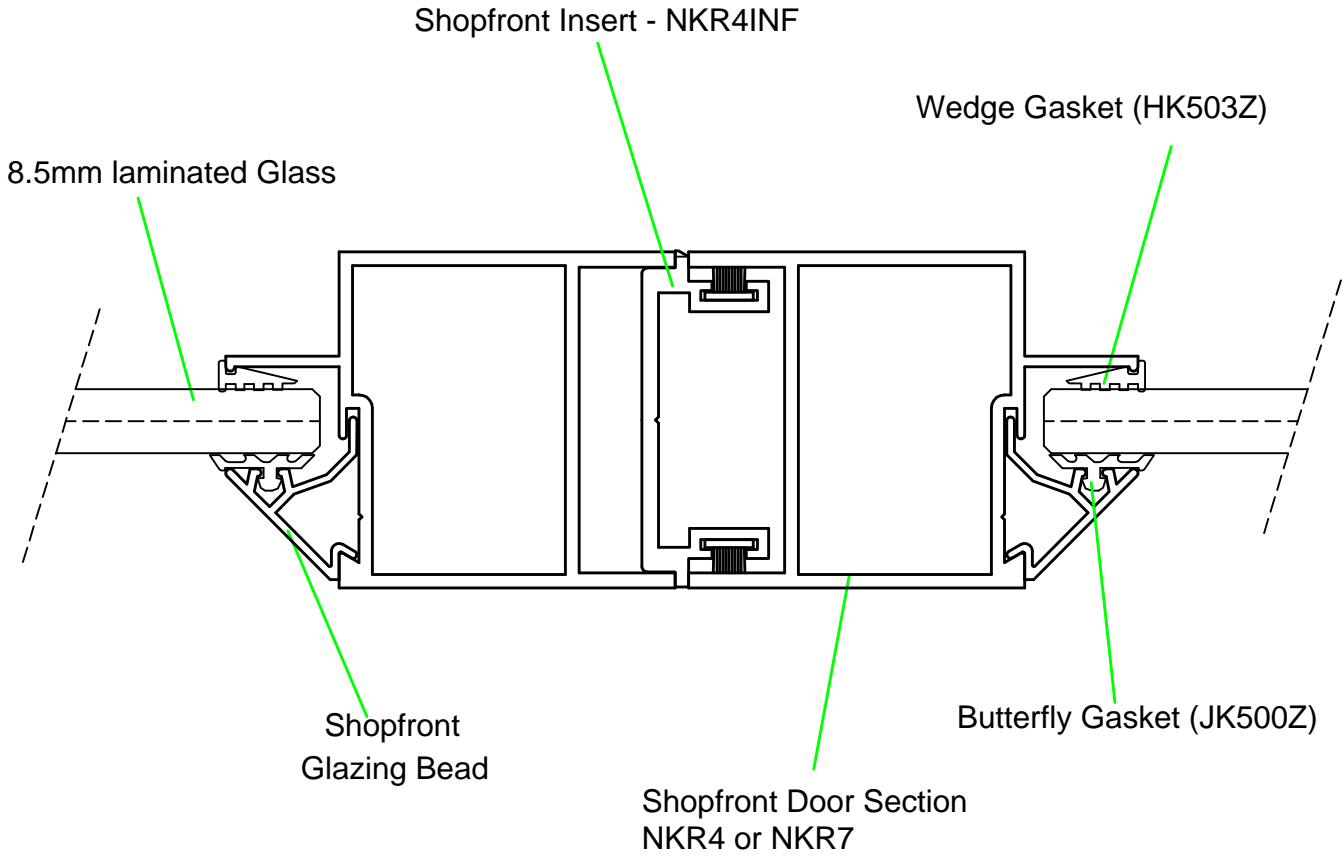
BI-PARTING STILES GALAXY DOOR

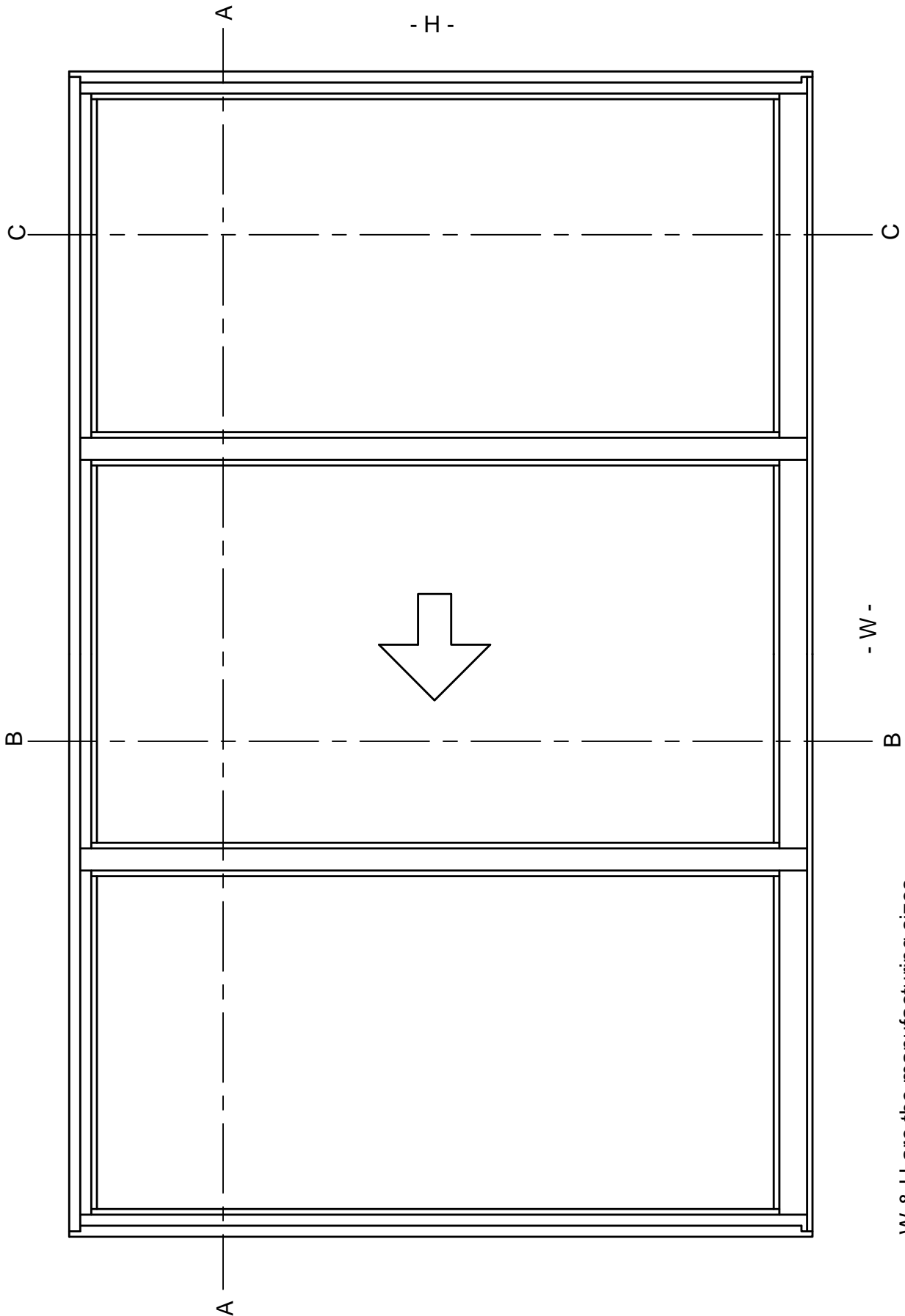
FRAME - STILE GALAXY

Refer to XO for SECTION B - B AND SECTION C - C

-W-

OXXO TYPE SLIDING DOOR





W & H are the manufacturing sizes,
NOT the opening sizes in the building. OXO TYPE SLIDING DOOR

SECTION A - A

