

NuKlip

Elliptical Shopfront

Technical Catalogue



almin metal industries limited

ALMIN PARK
Corner Willowvale & Dagenham Roads
Willowvale, Harare
P O Box ST394
Southerton
Harare
Zimbabwe

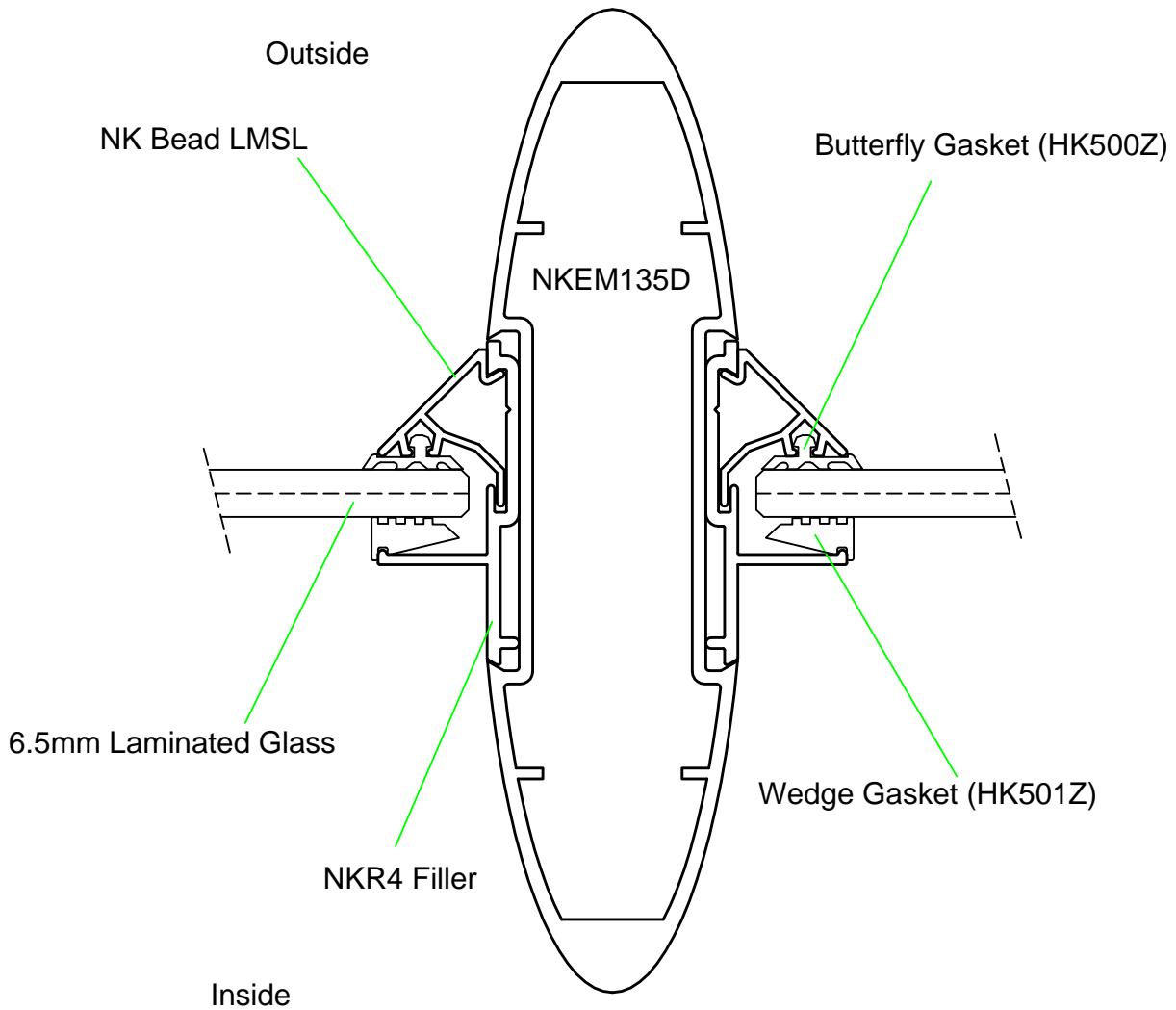
Telephones : +263-4-620111/2/6/7/9
Email : tmungure@almin.co.zw
: tmanjeya@almin.co.zw
: customerservice@almin.co.zw
Website : www.almin.co.zw



INDEX

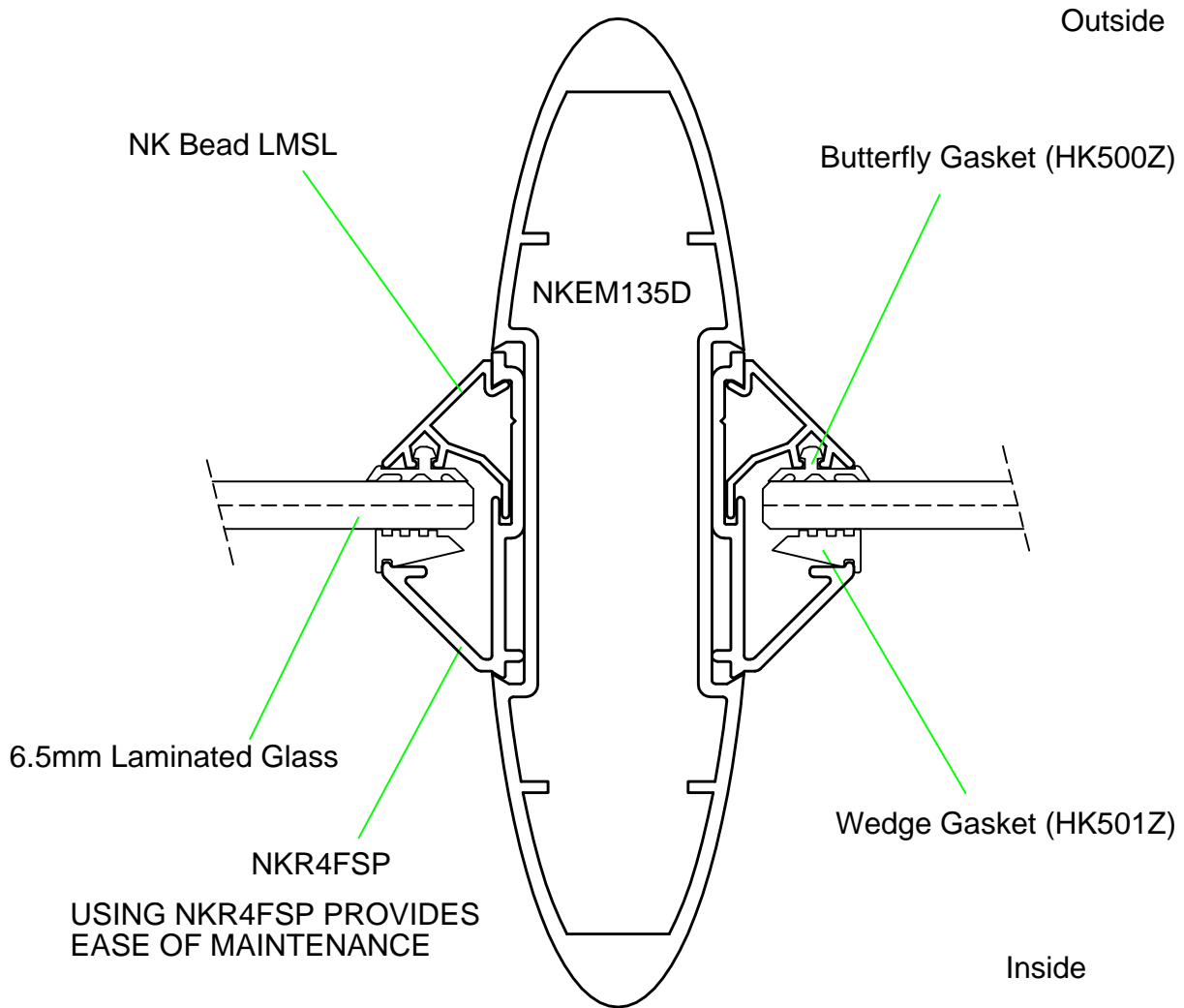
PAGES

1. Basic Elliptical Shopfront System Glazing Details	1 - 5
2. Elliptical Shopfront with inside opening hinged door or door on floor spring.....	6 - 21
3. Elliptical Shopfront with embedded Pivot Window	22 - 28
4. Elliptical Shopfront with embedded 28mm Project out Window	29 - 36
5. Elliptical Shopfront with embedded Horizontal Sliding Window	37 - 42



NOTE!
WHEN USED AS TRANSOM AS WELL AS MULLION, THE NKEM135D WILL HAVE TO BE MACHINED TO THE CONTOUR OF THE OUTER PERIMETER.

NKEM135D MULLION DETAIL



USING NKR4FSP PROVIDES
EASE OF MAINTENANCE

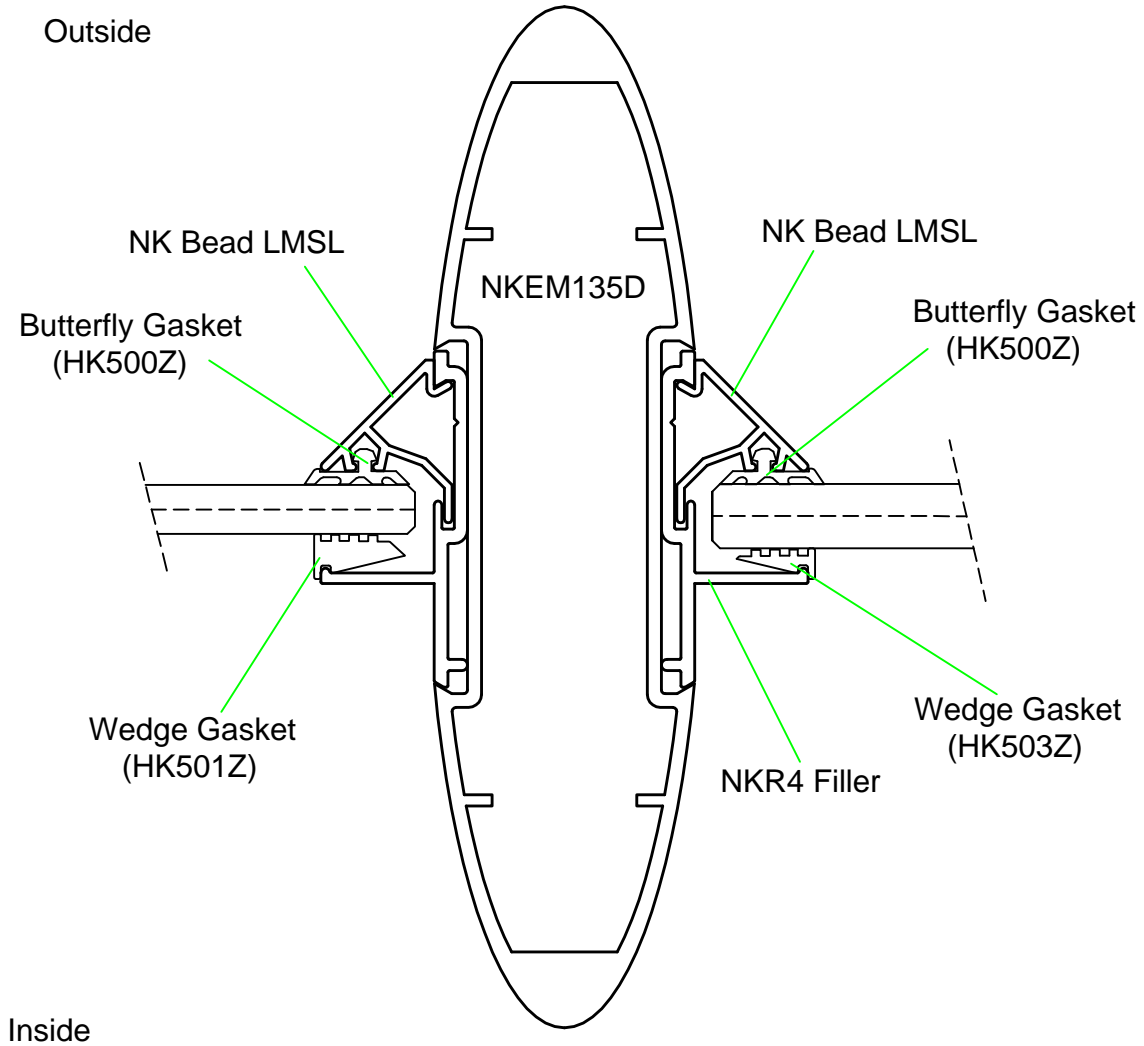
NOTE!
WHEN USED AS TRANSOM AS WELL AS MULLION, THE NKEM135D WILL HAVE
TO BE MACHINED TO THE CONTOUR OF THE OUTER PERIMETER.

NKEM135D MULLION DETAIL



6.5mm Laminated Glass

8.5mm Laminated Glass



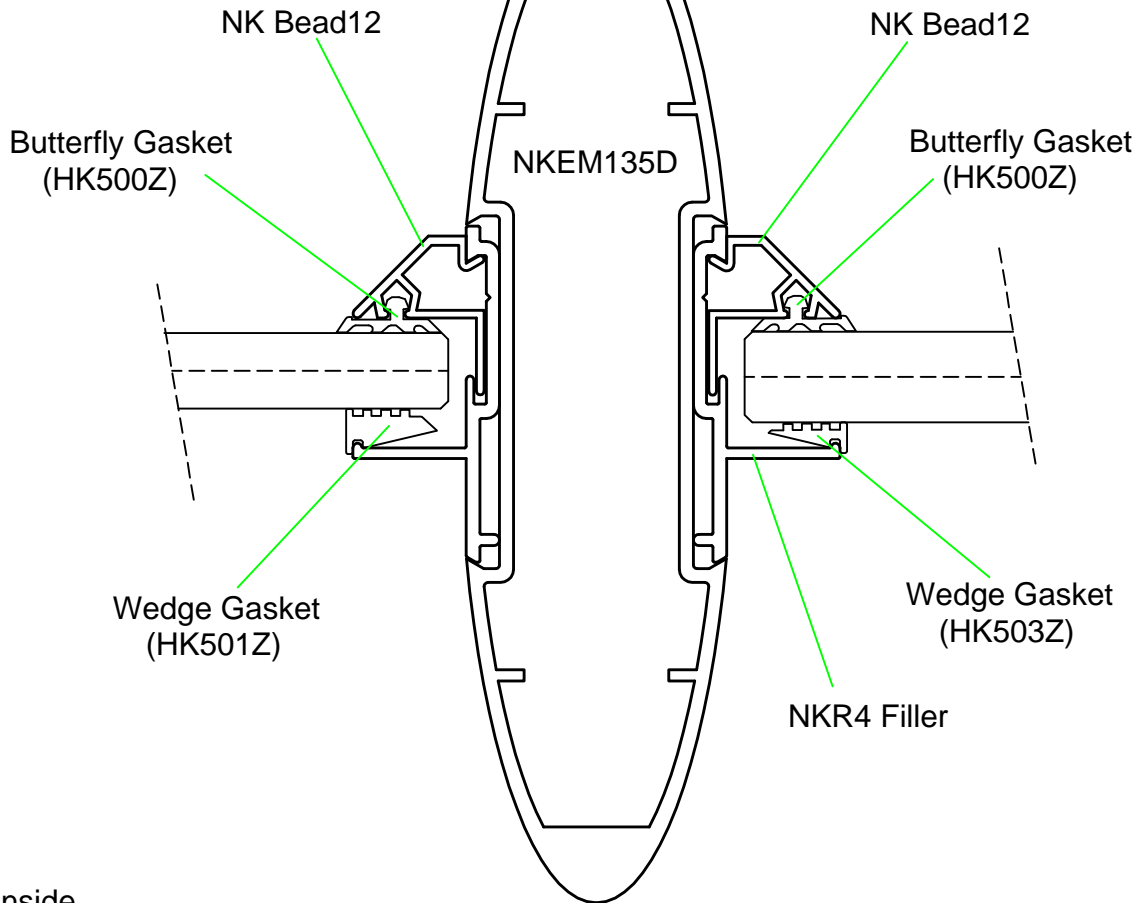
NKEM135D GLAZING DETAILS



10mm Laminated Glass

12mm Laminated Glass

Outside



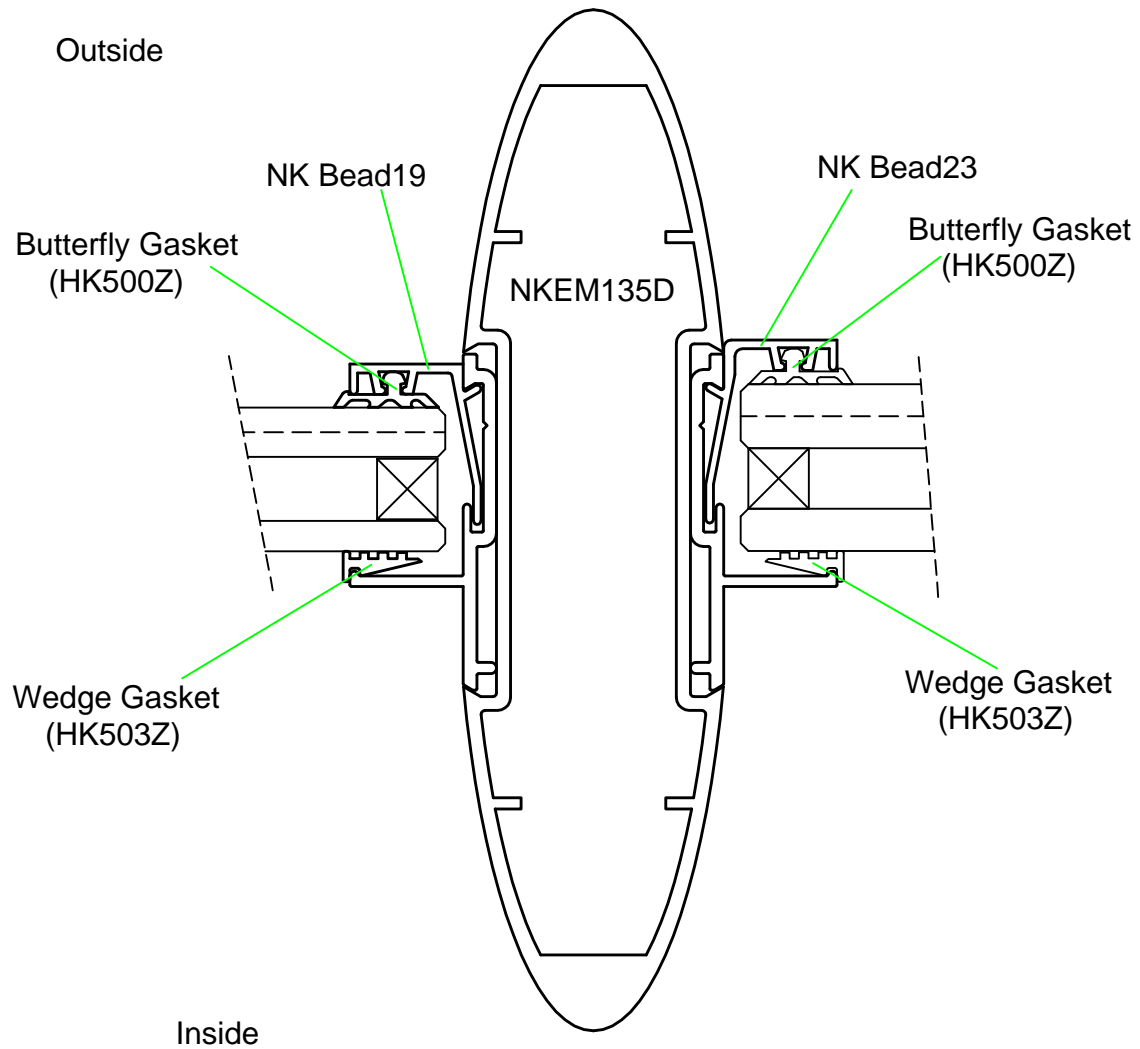
Inside

NKEM135D GLAZING DETAILS

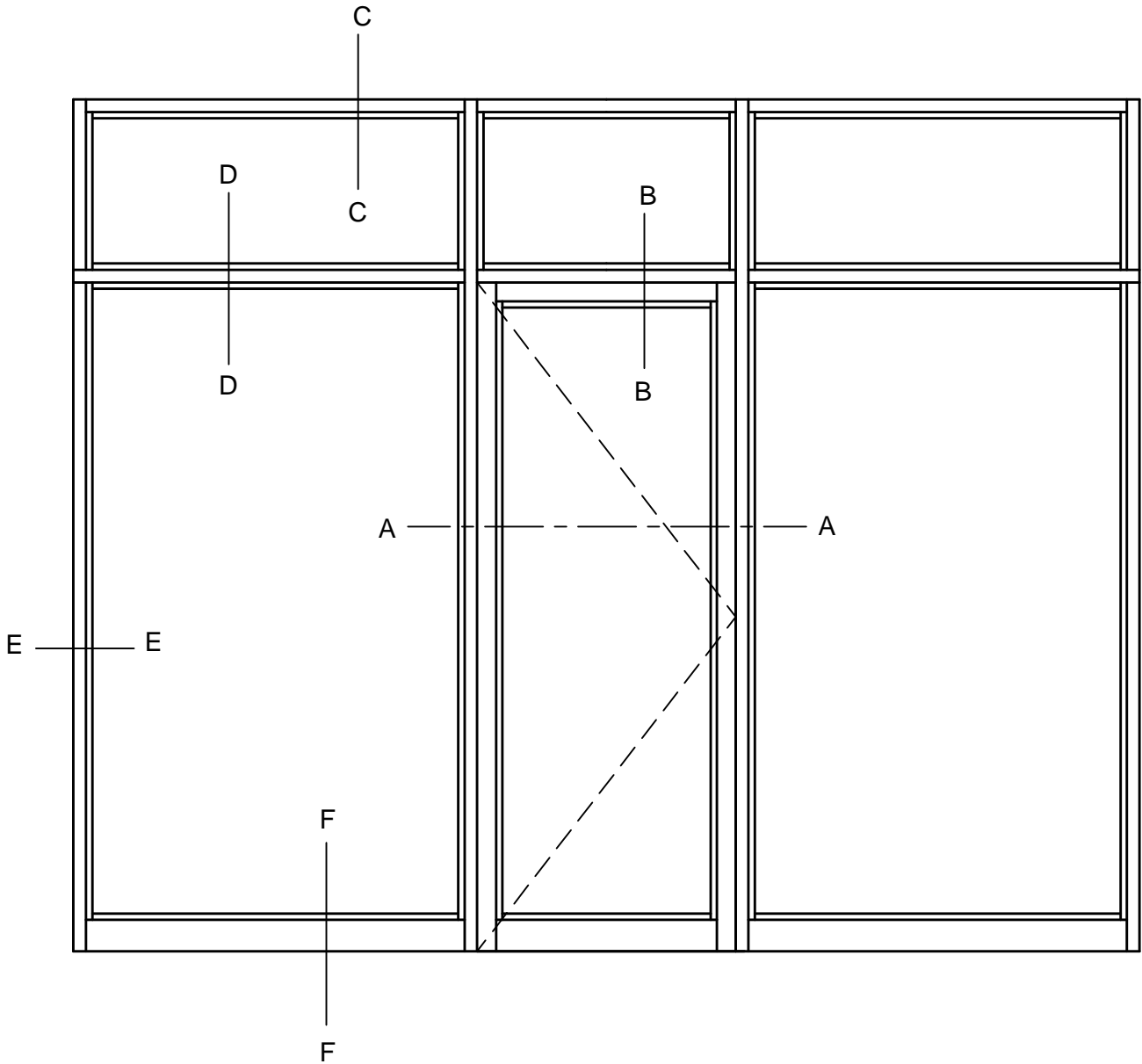


19mm Double Glazing

23mm Double Glazing



NKEM135D MULLION GLAZING DETAILS

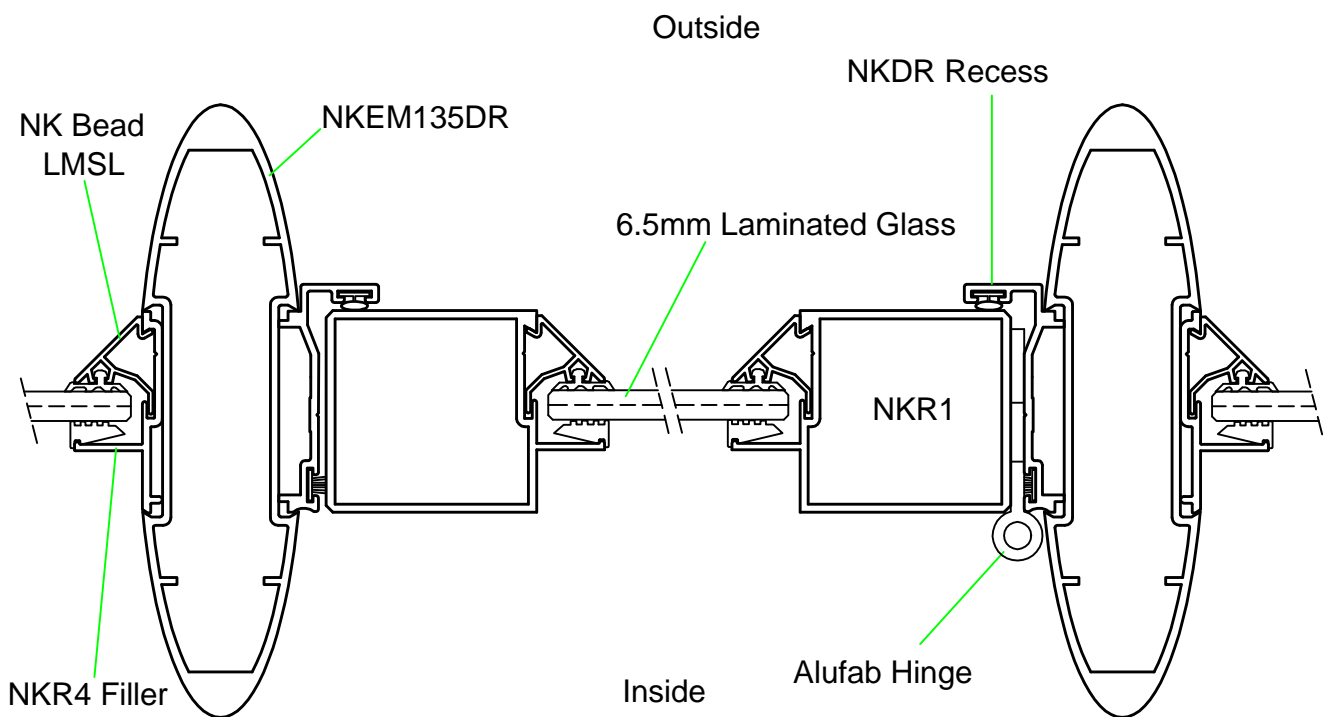


NB:
Transom can be NKEM135D or NKR7.
PLEASE REFER TO SECTIONS B & C.

NUKLIP ELLIPTICAL SHOPFRONT
WITH INSIDE OPENING HINGED DOOR OR DOOR ON FLOOR SPRING



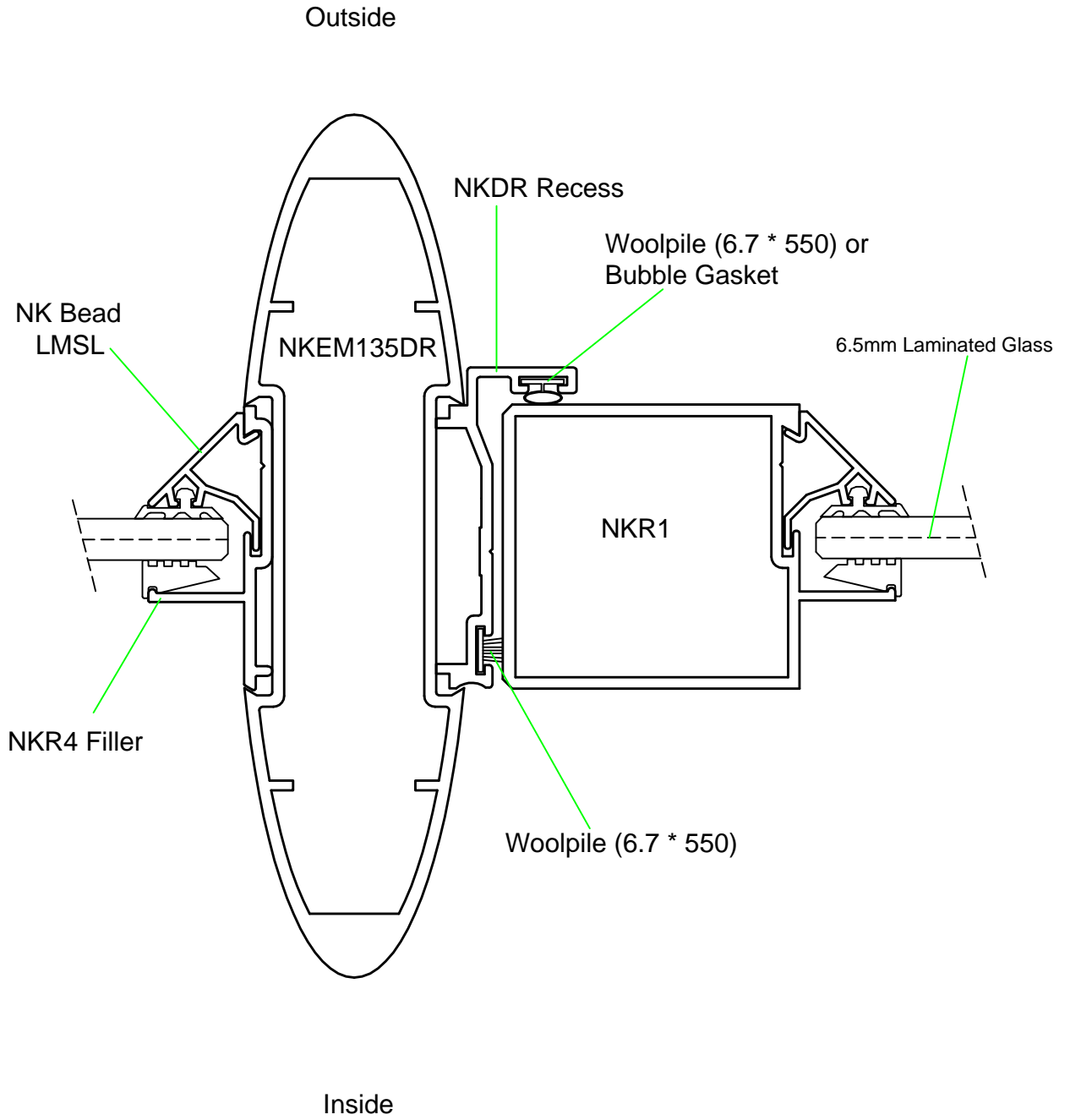
Section A - A



EMBEDDED HINGED DOOR HORIZONTAL DETAILS



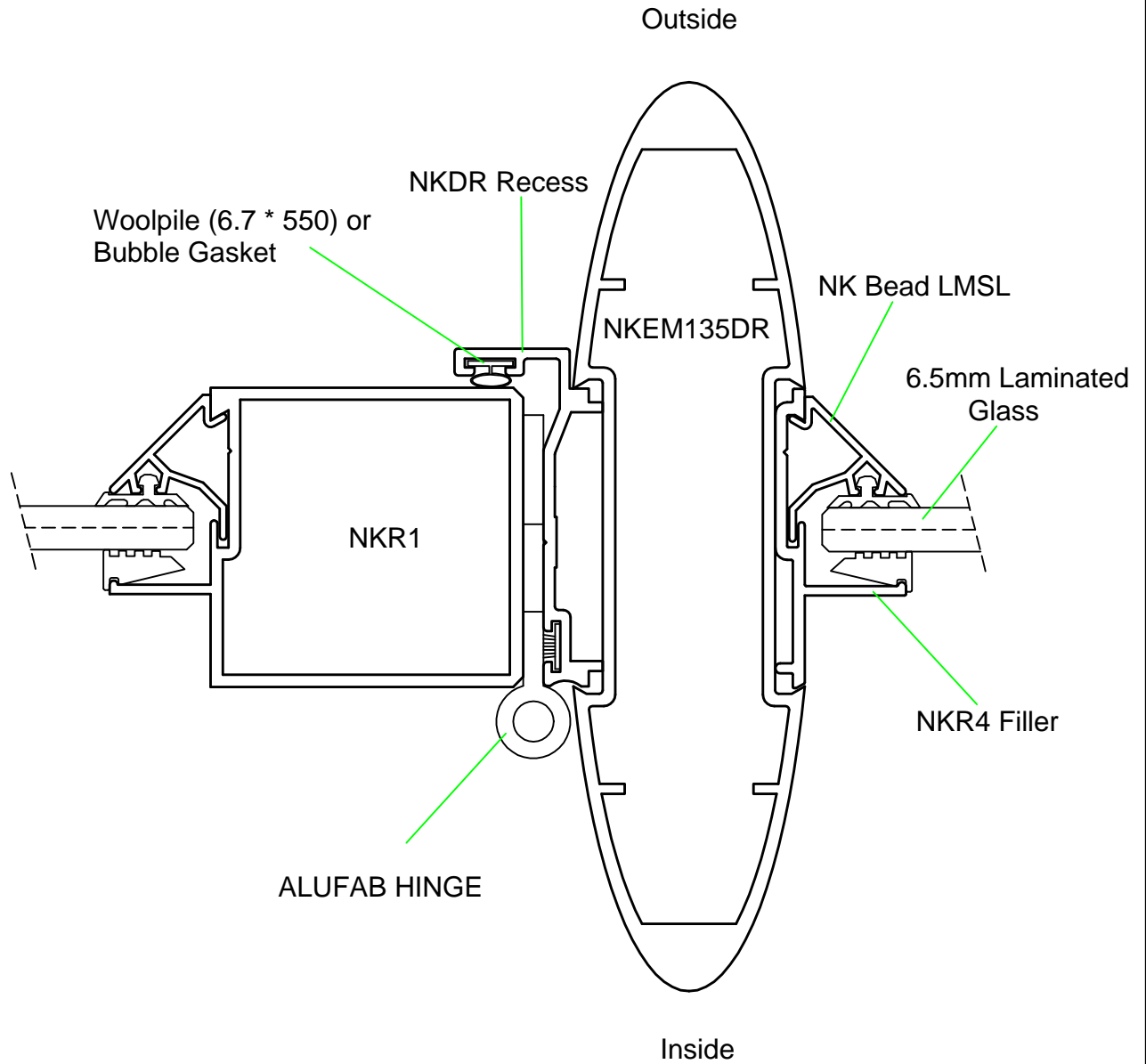
Section A - A



EMBEDDED HINGED DOOR DETAILS



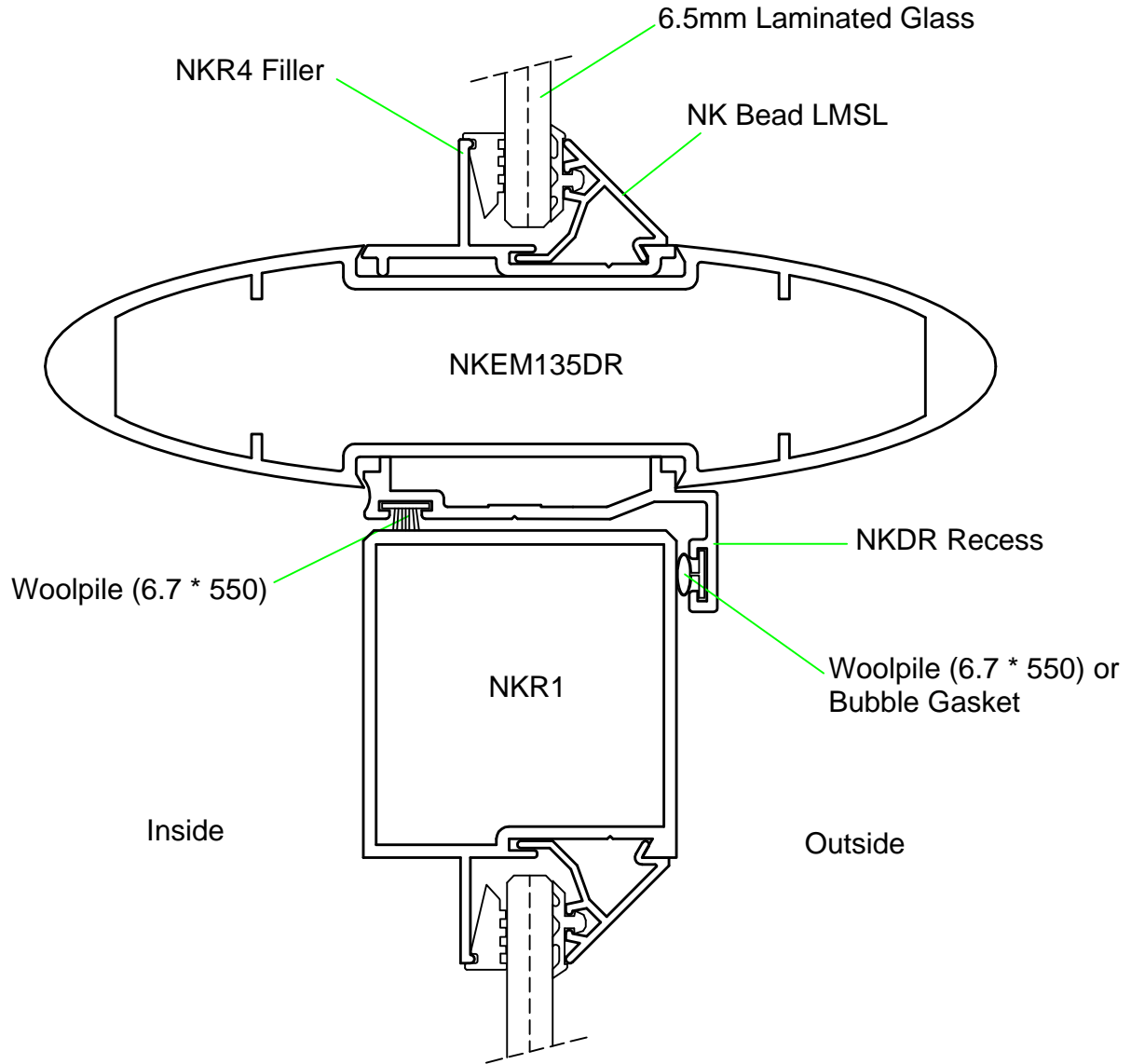
Section A - A



EMBEDDED HINGED DOOR DETAILS

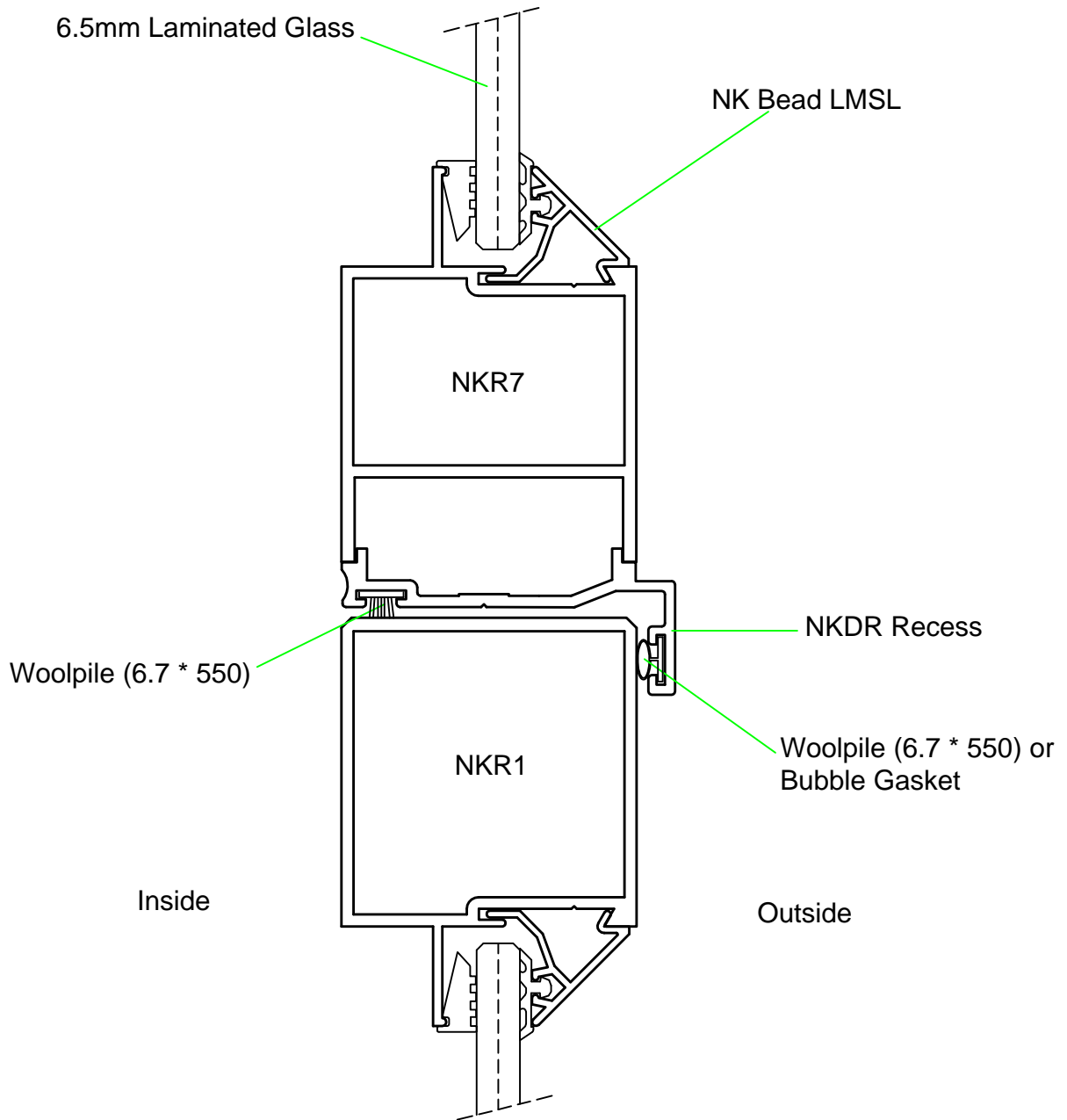


Section B - B





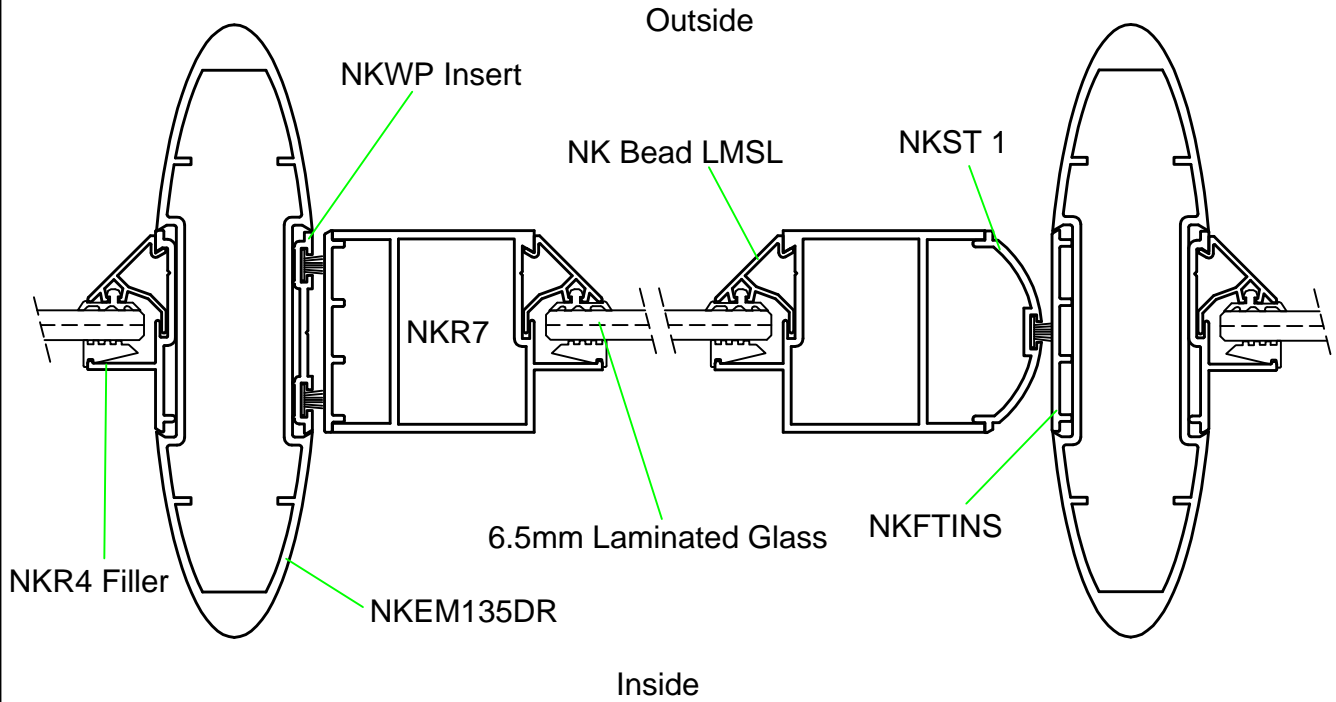
Section B - B



EMBEDDED HINGED DOOR DETAILS
ALTERNATIVE SECTION USING NKR7 AS TRANSOM



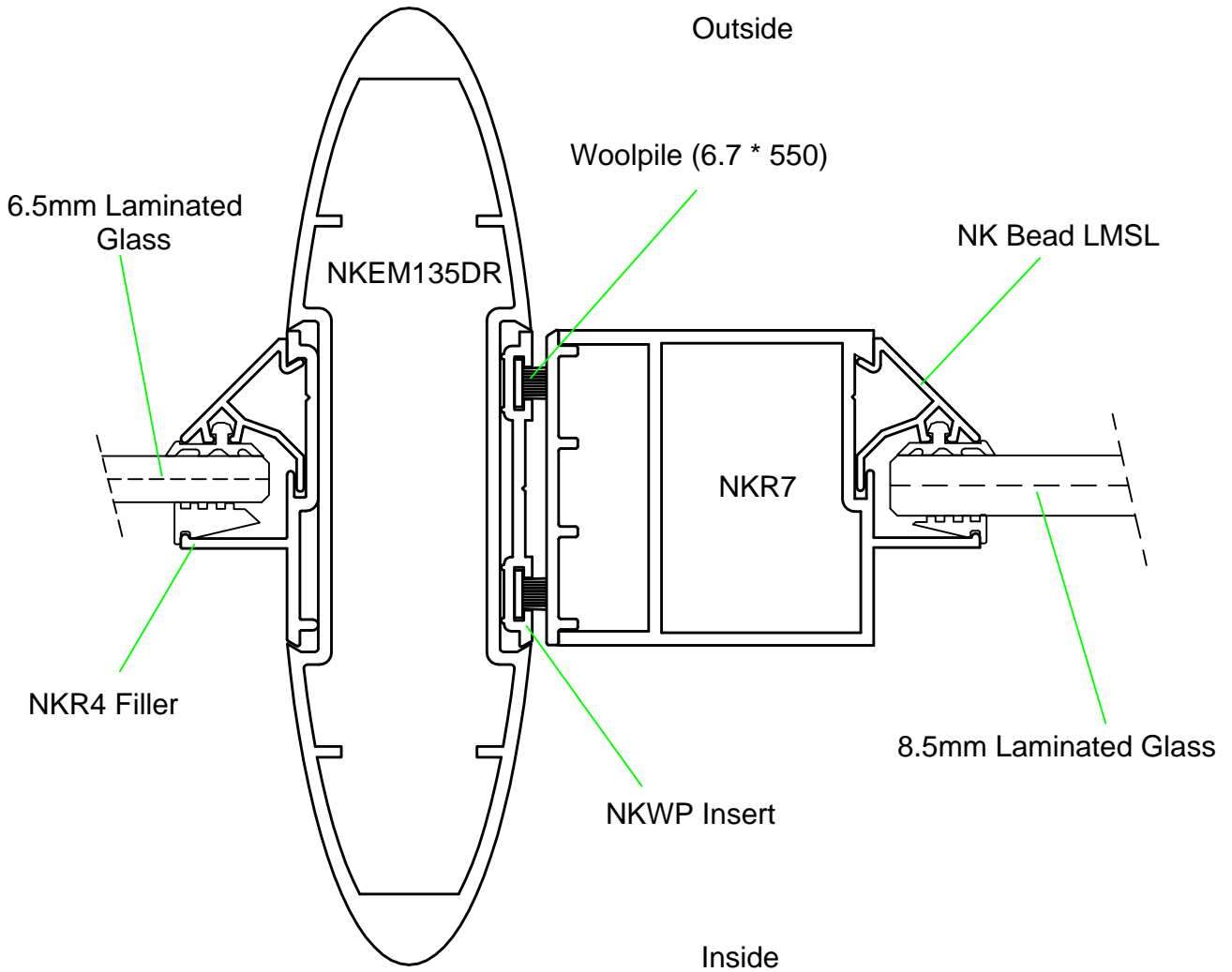
Section A - A



DOOR ON FLOOR SPRING DETAILS
ALTERNATIVE SECTION



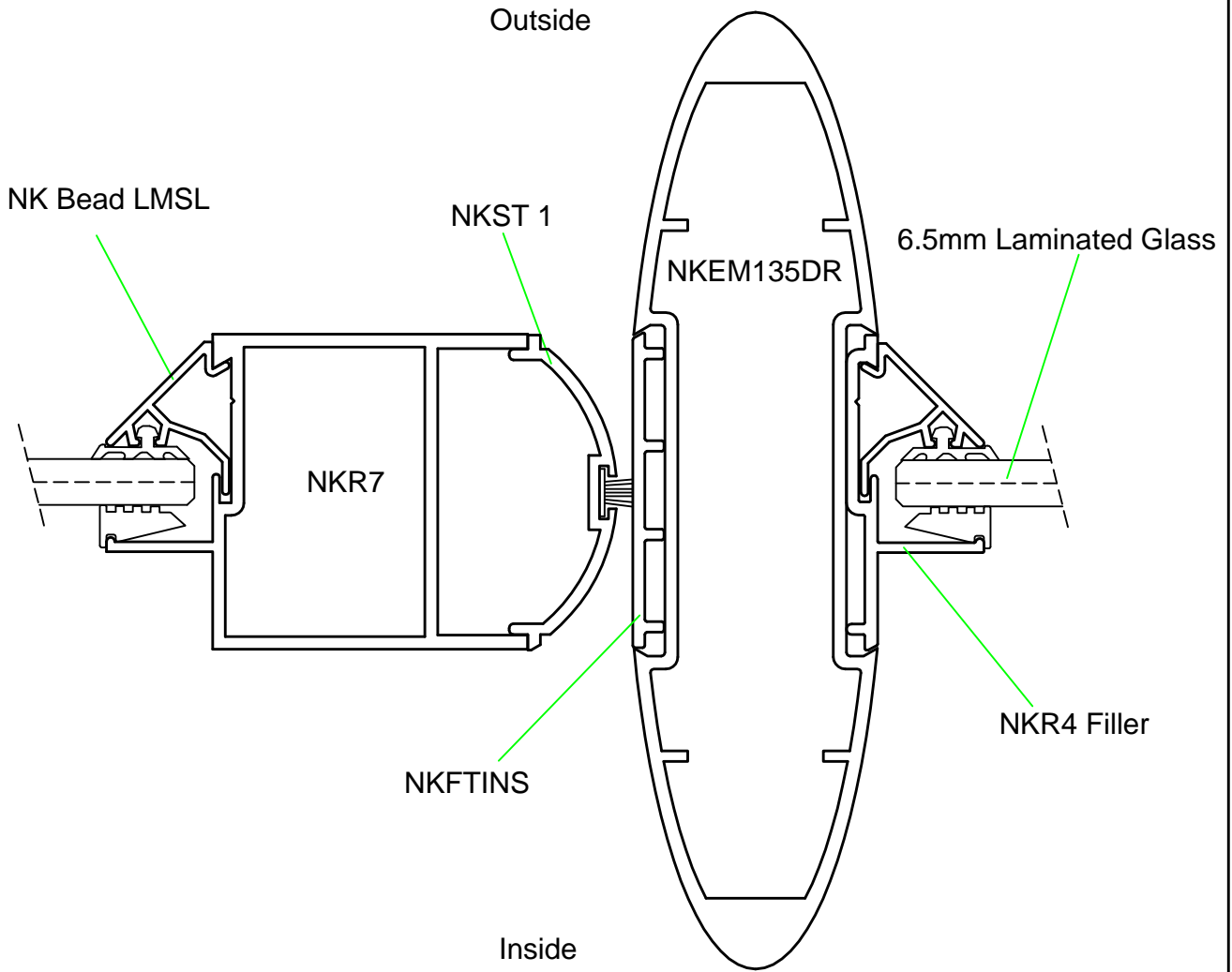
Section A - A



DOOR ON FLOOR SPRING DETAILS
ALTERNATIVE SECTION



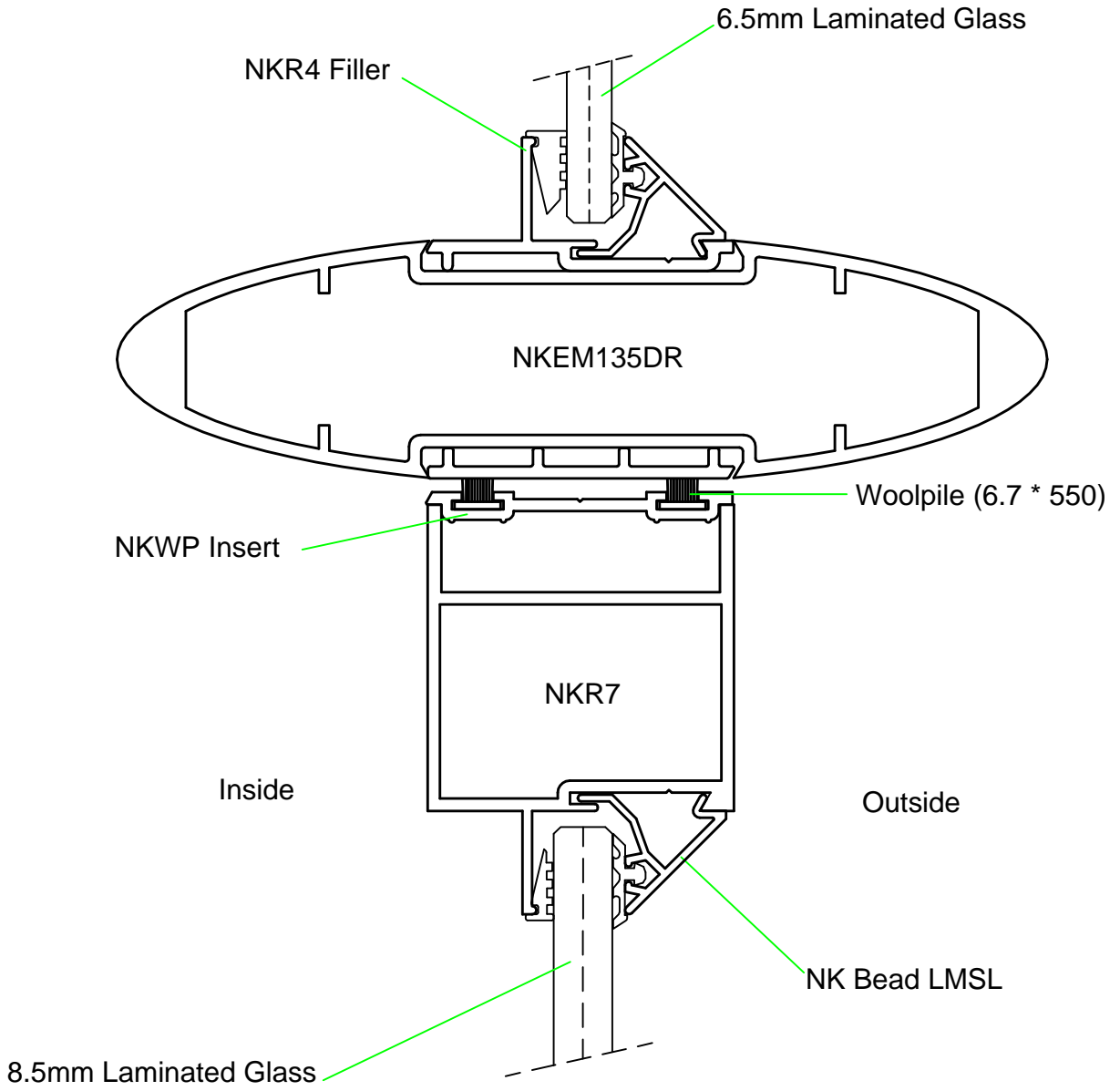
Section A - A



DOOR ON FLOOR SPRING DETAILS
ALTERNATIVE SECTION



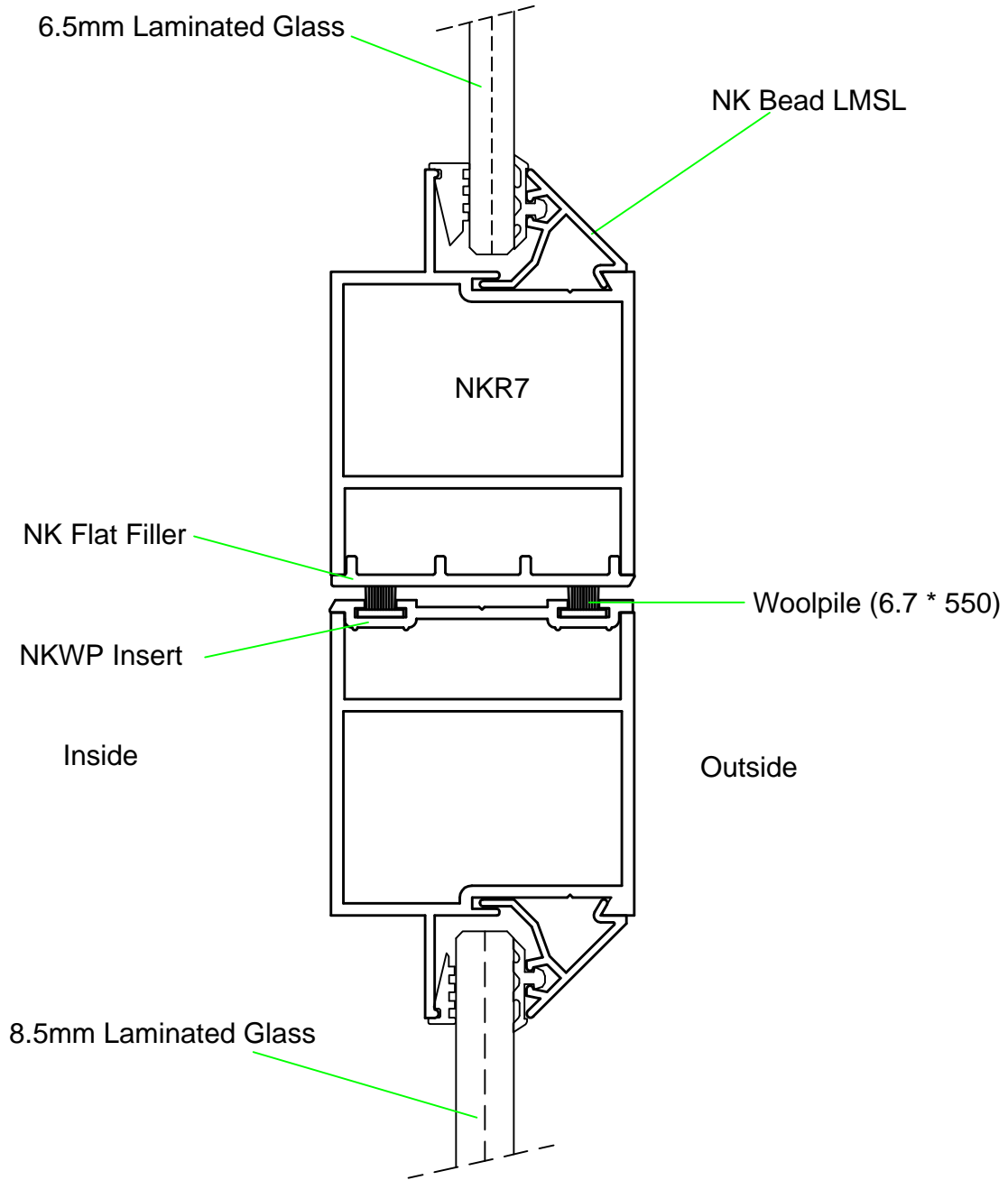
Section B - B



DOOR ON FLOOR SPRING DETAILS
ALTERNATIVE SECTION



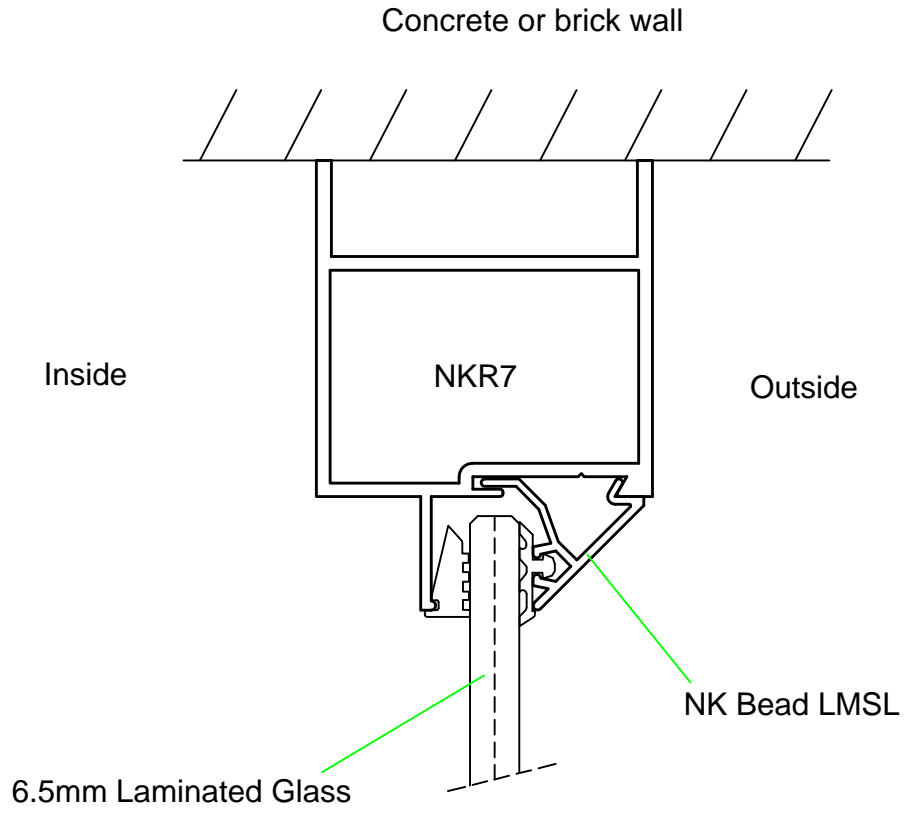
Section B - B



DOOR ON FLOOR SPRING DETAILS
ALTERNATIVE SECTION

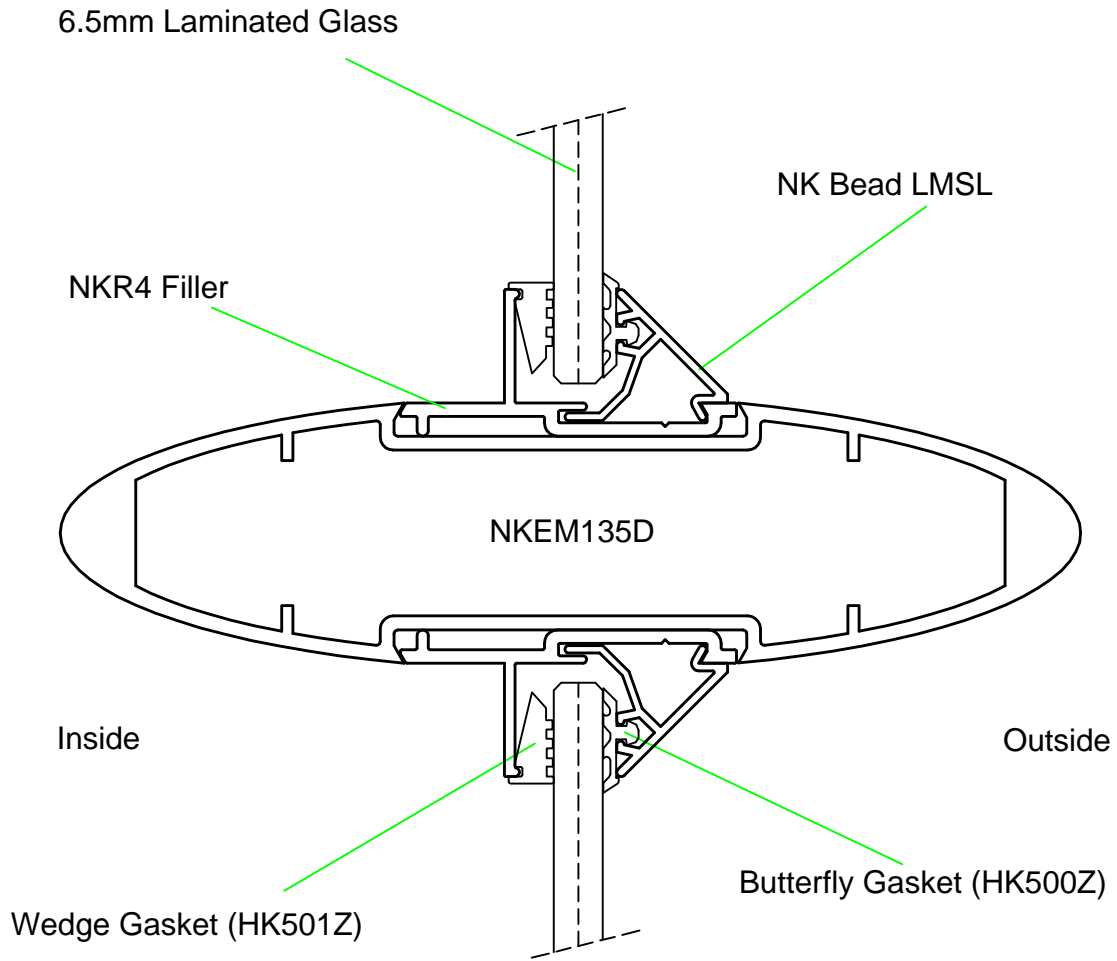


Section C - C



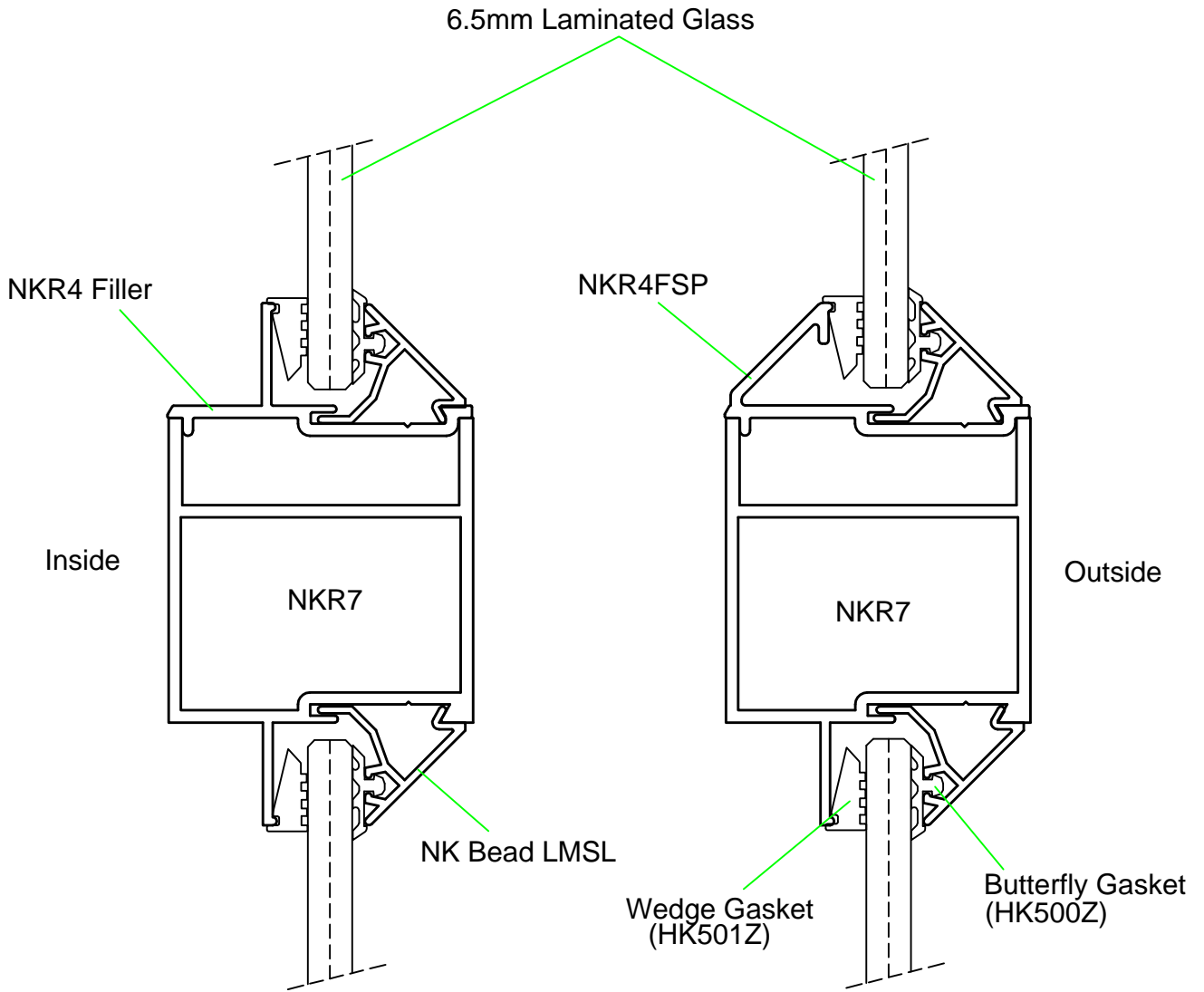


Section D - D





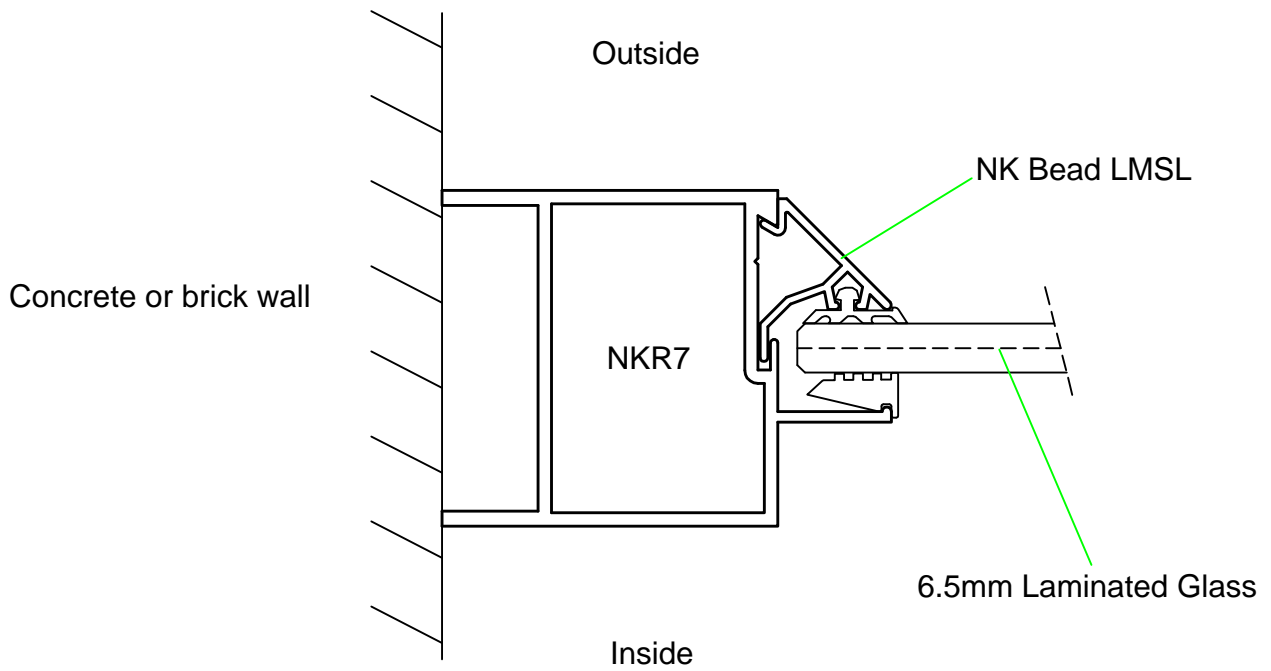
Section D - D



ALTERNATIVE TRANSOM DETAILS USING NKR7

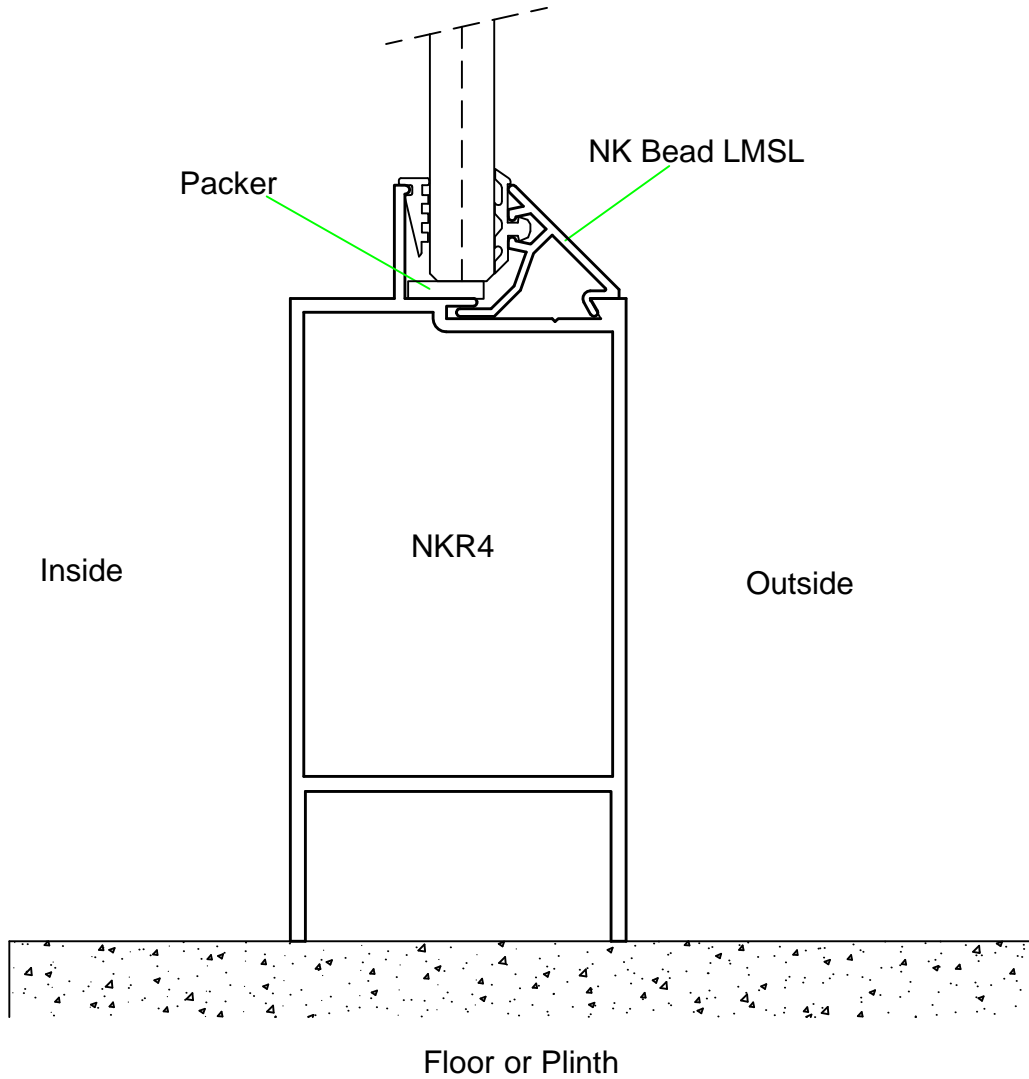


Section E - E

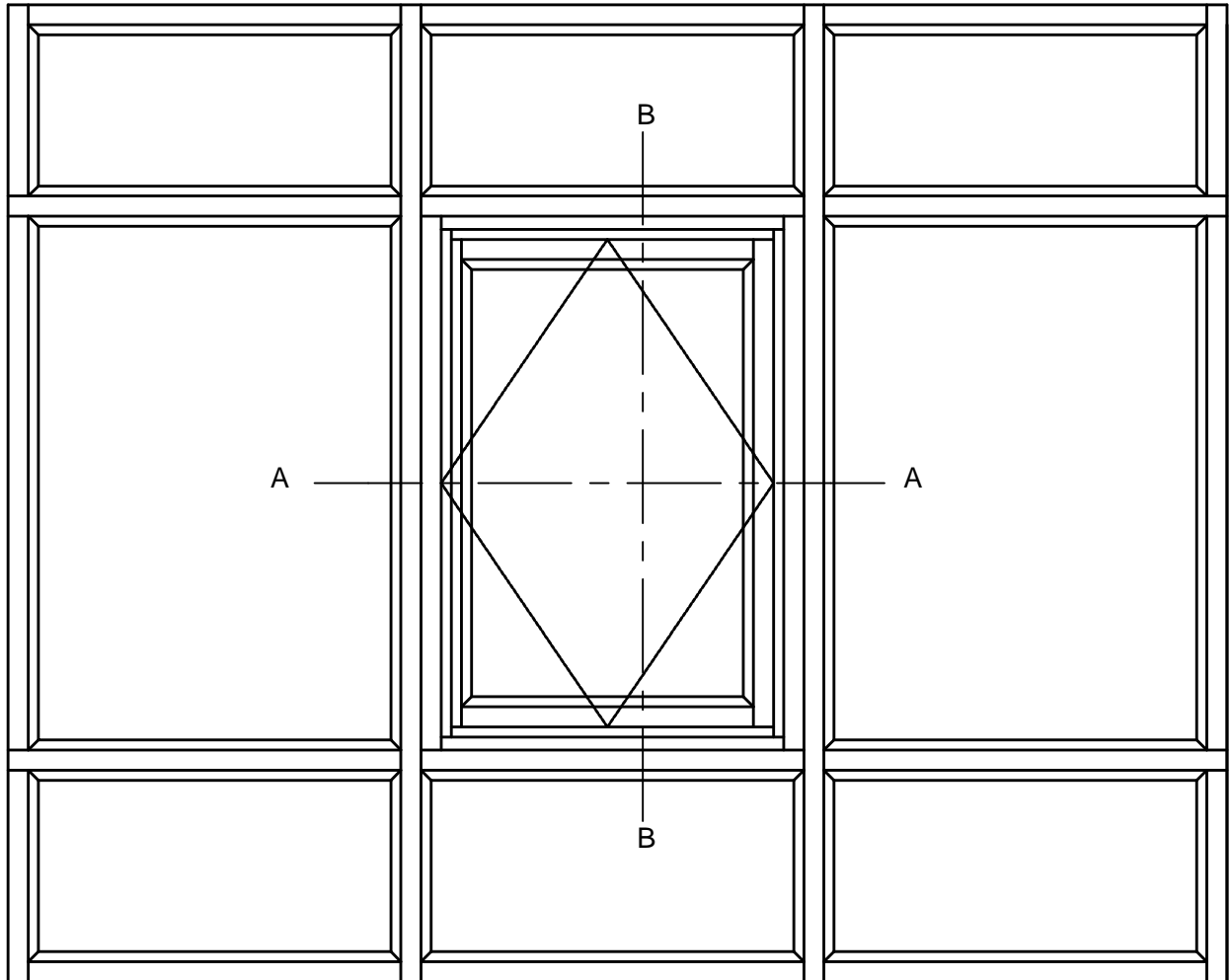




Section F - F



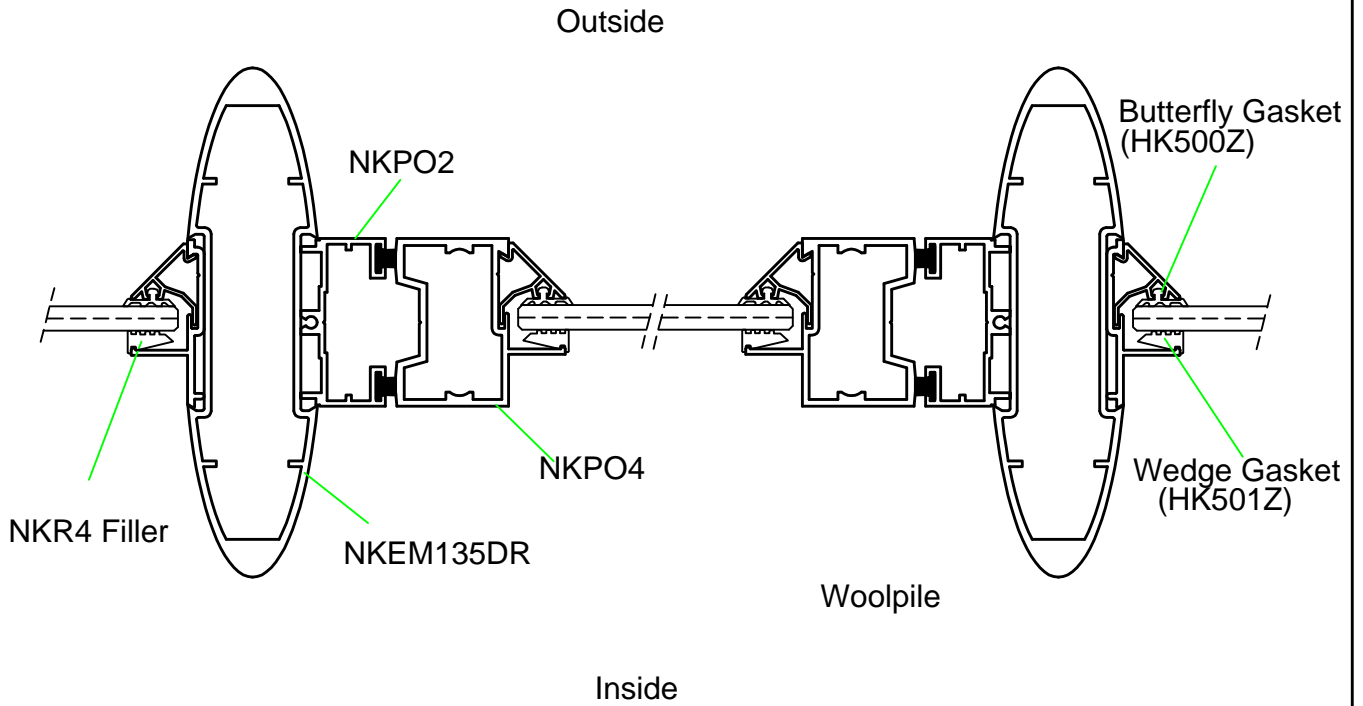
TYPICAL ELLIPTIC SHOPFRONT BOTTOM RAIL DETAILS SHOWING



NUKLIP ELLIPTIC SHOPFRONT WITH EMBEDDED PIVOT VENT



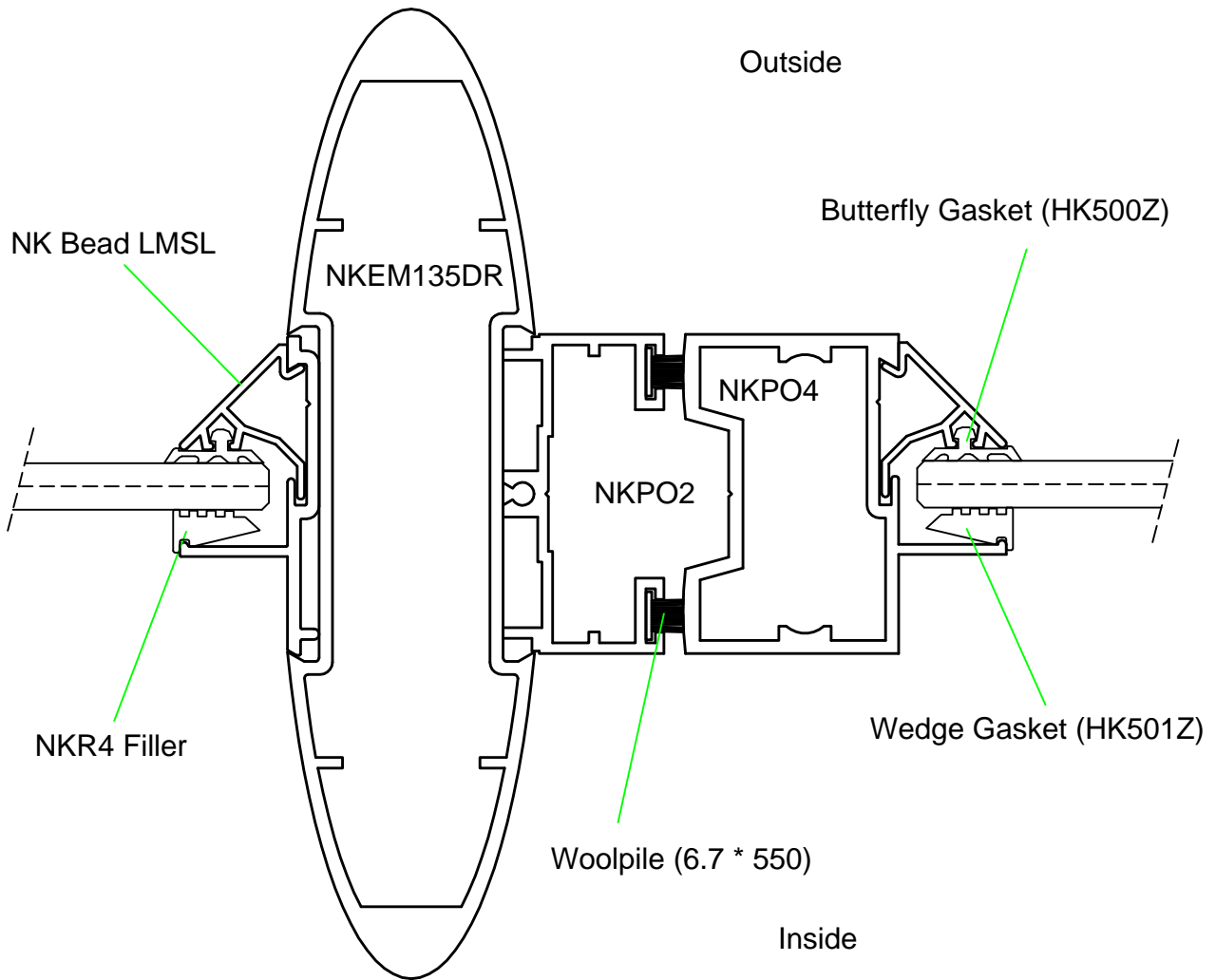
Section A - A



EMBEDDED PIVOT VENT DETAILS



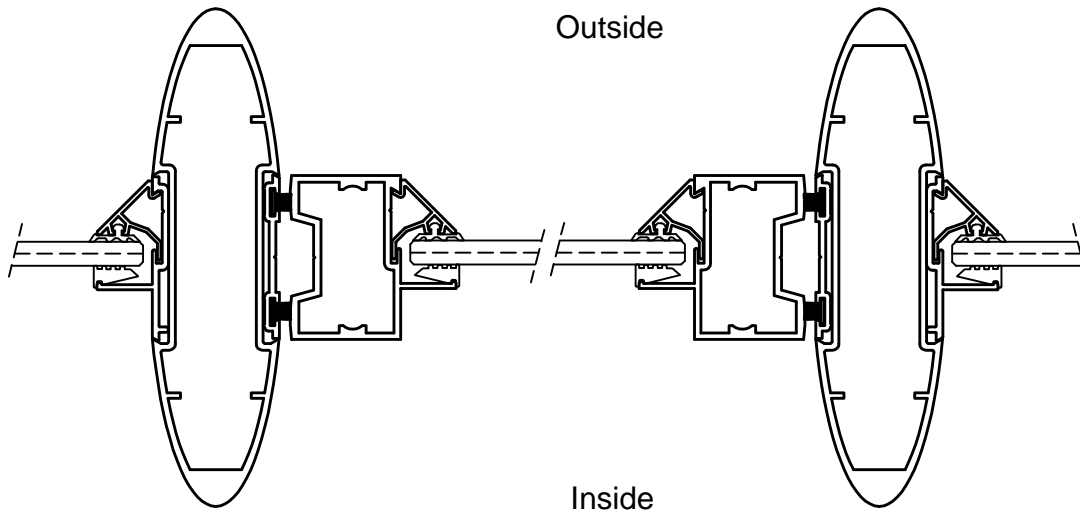
Section A - A



EMBEDDED PIVOT VENT DETAILS



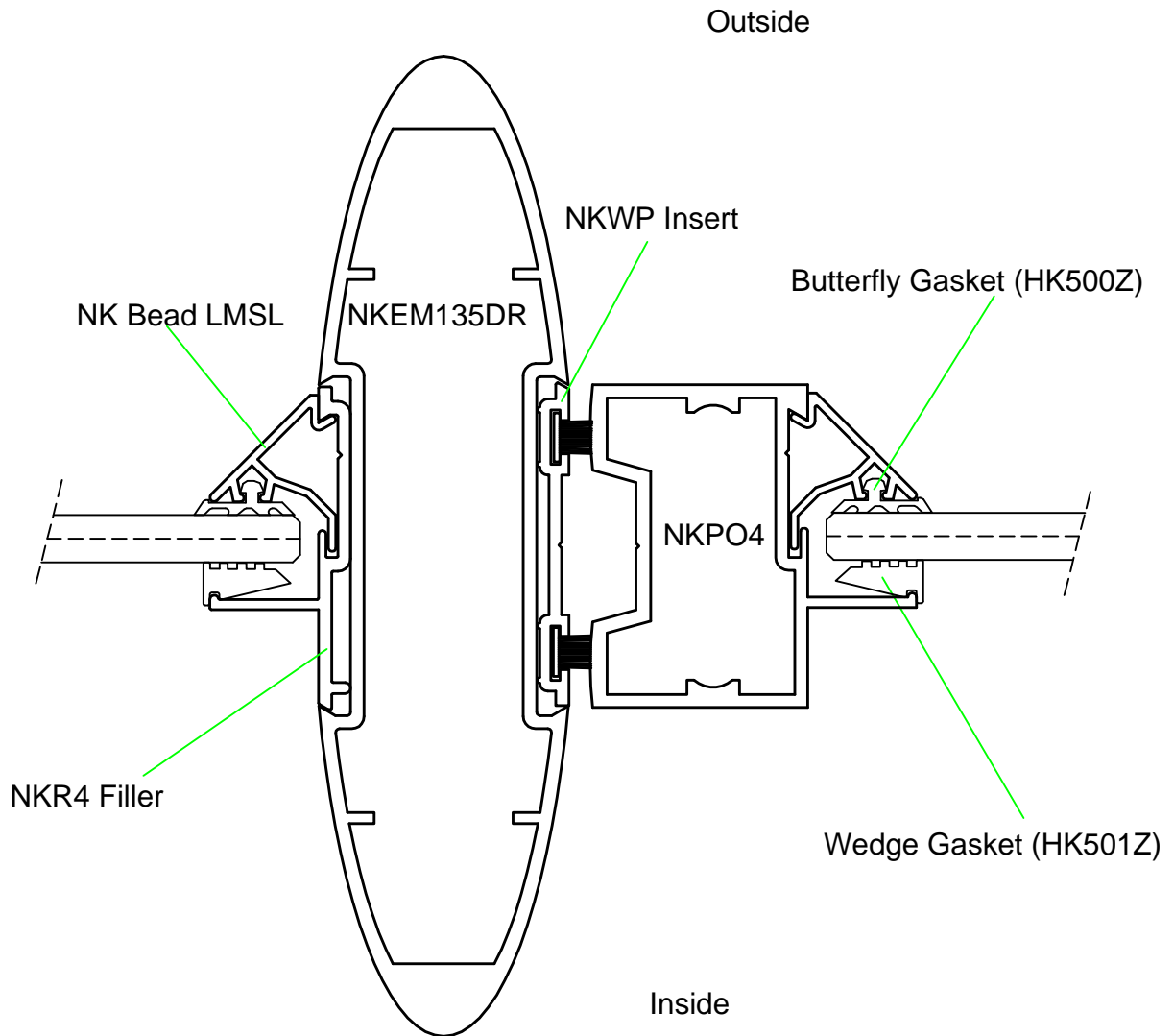
Section A - A



EMBEDDED PIVOT VENT DETAILS
ALTERNATIVE SECTION



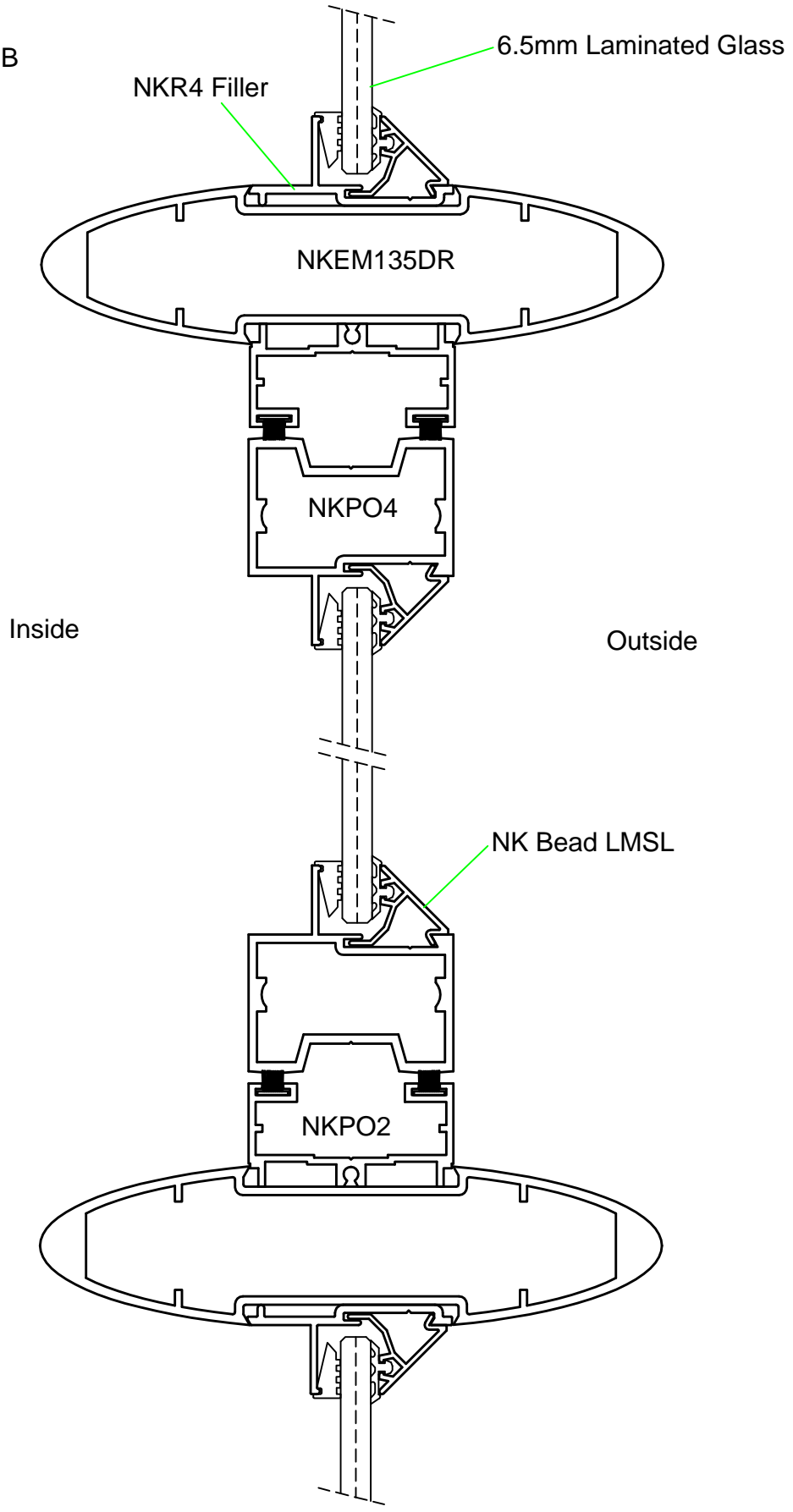
Section A - A



EMBEDDED PIVOT VENT DETAILS
ALTERNATIVE SECTION



Section B-B



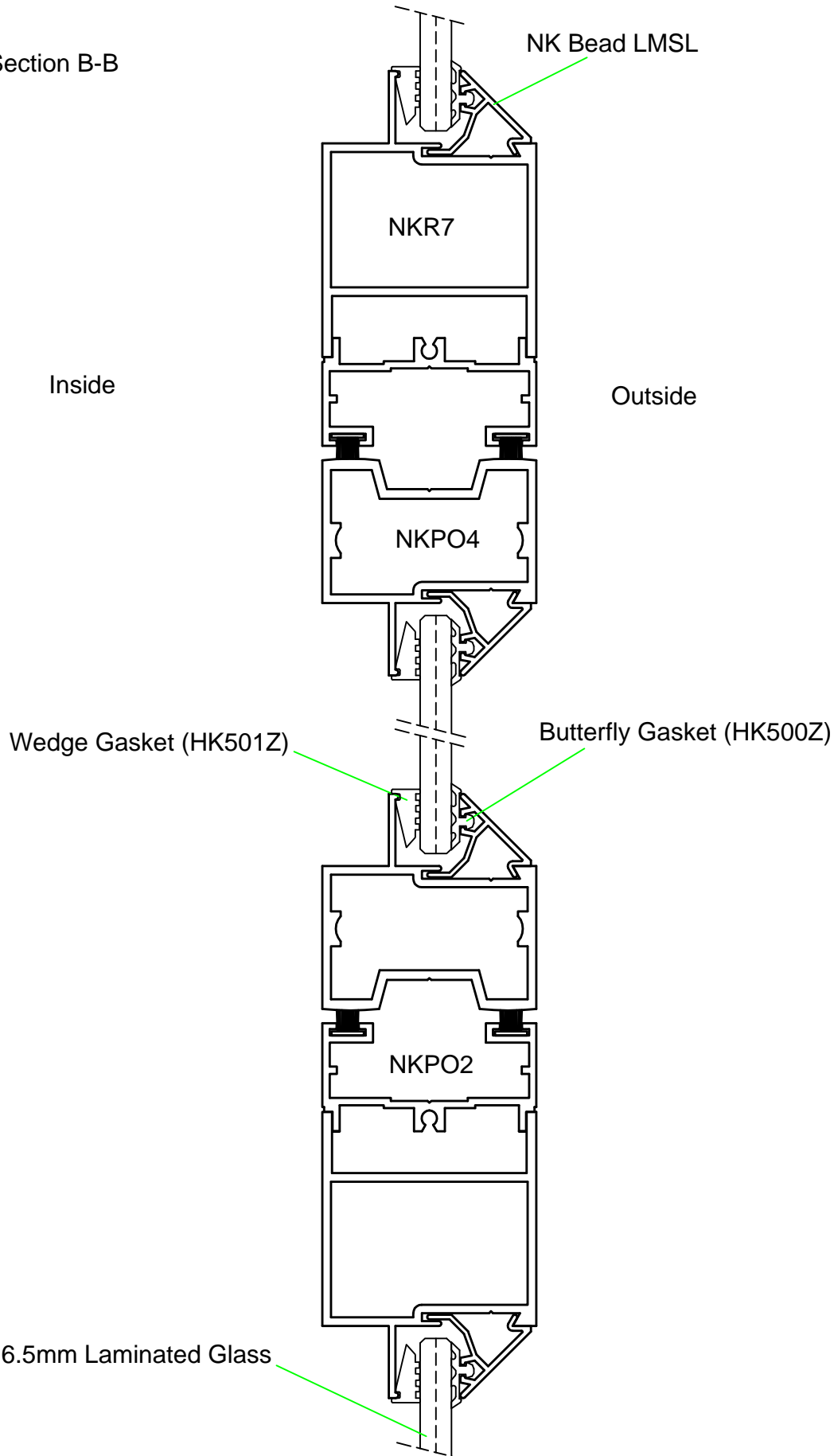
EMBEDDED PIVOT VENT DETAILS



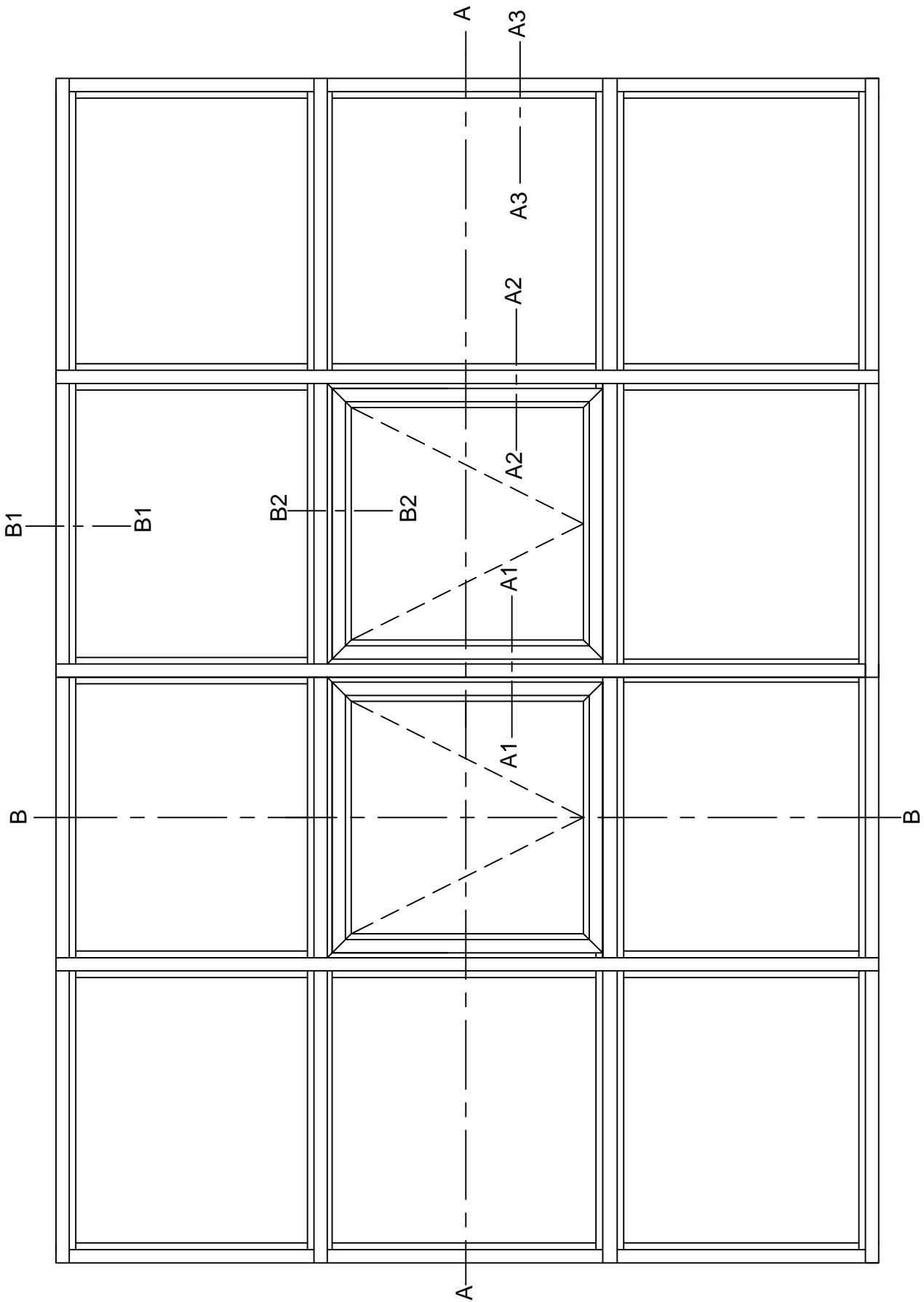
Section B-B

Inside

Outside



EMBEDDED PIVOT VENT DETAILS
ALTERNATIVE SECTION (USING NKR7 AS TRANSOM)

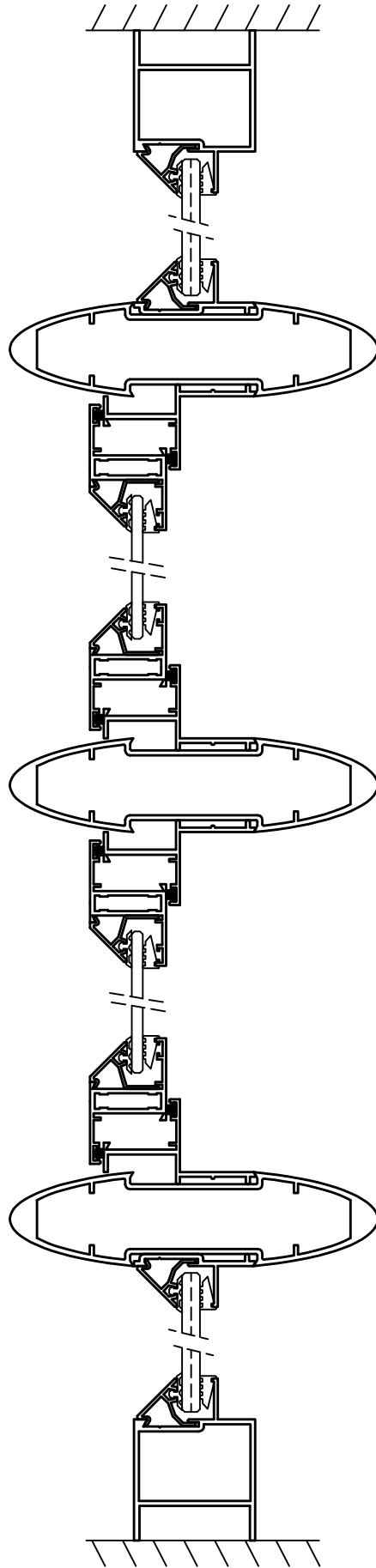


ELLIPTIC SHOPFRONT WITH EMBEDDED 28mm PROJECT OUT WINDOW DETAILS



Section A - A

Outside

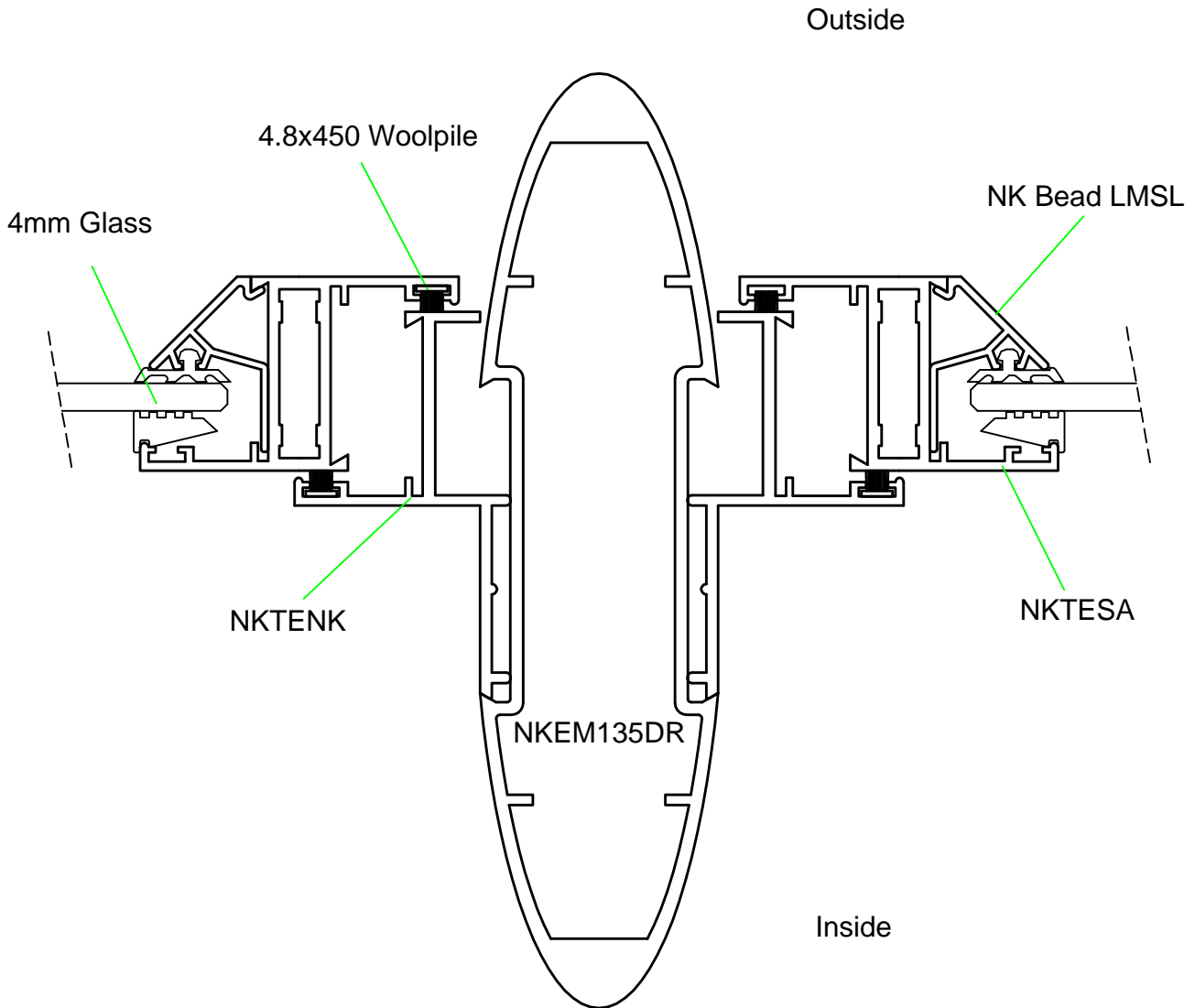


Inside

ELLIPTIC SHOPFRONT WITH EMBEDDED 28mm PROJECT OUT WINDOW DETAILS
HORIZONTAL SECTION



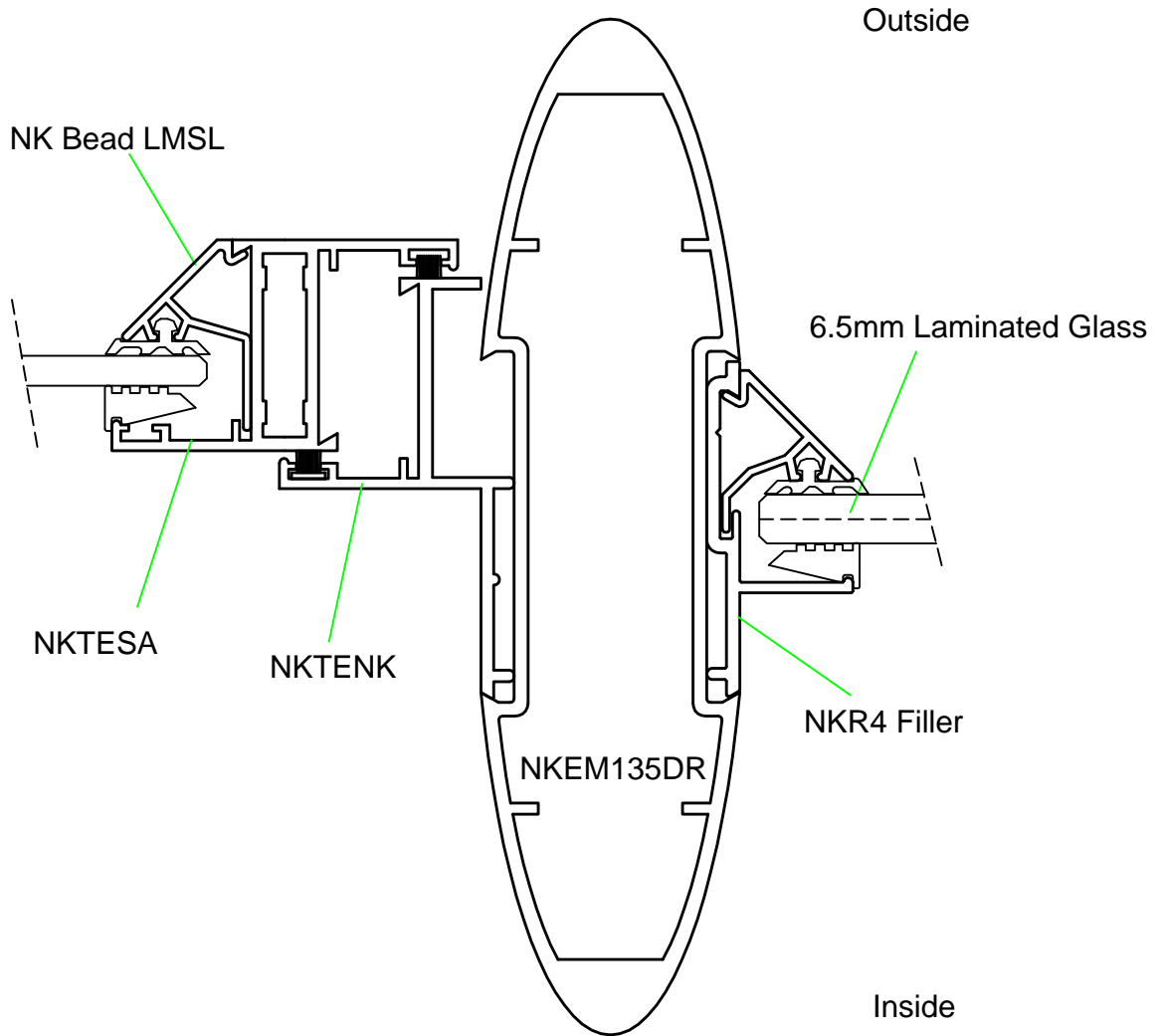
Section A1 - A1



ELLIPTIC SHOPFRONT WITH EMBEDDED
28MM PROJECT OUT WINDOW DETAILS



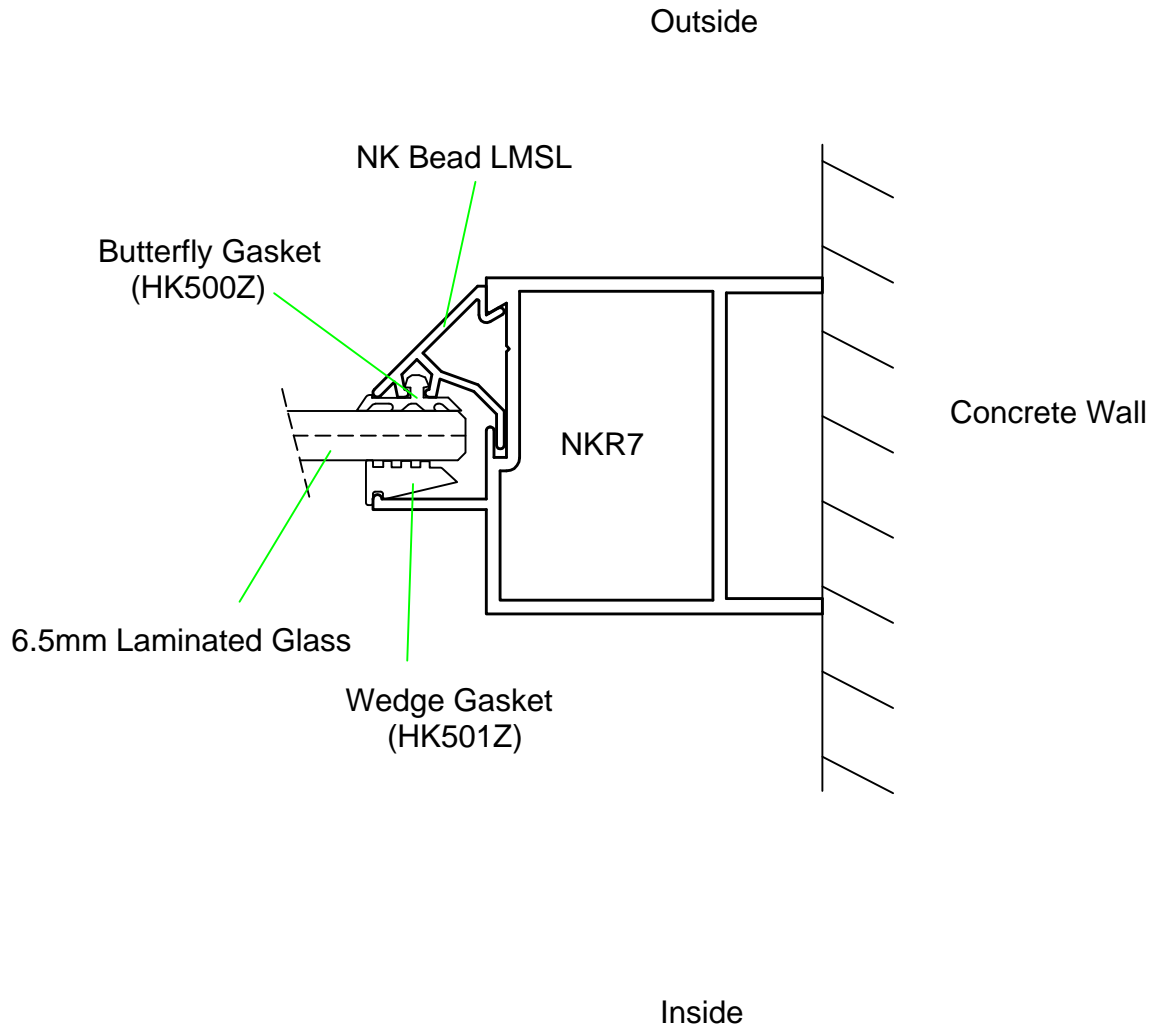
Section A2 - A2



ELLIPTIC SHOPFRONT WITH EMBEDDED
28MM PROJECT OUT WINDOW DETAILS



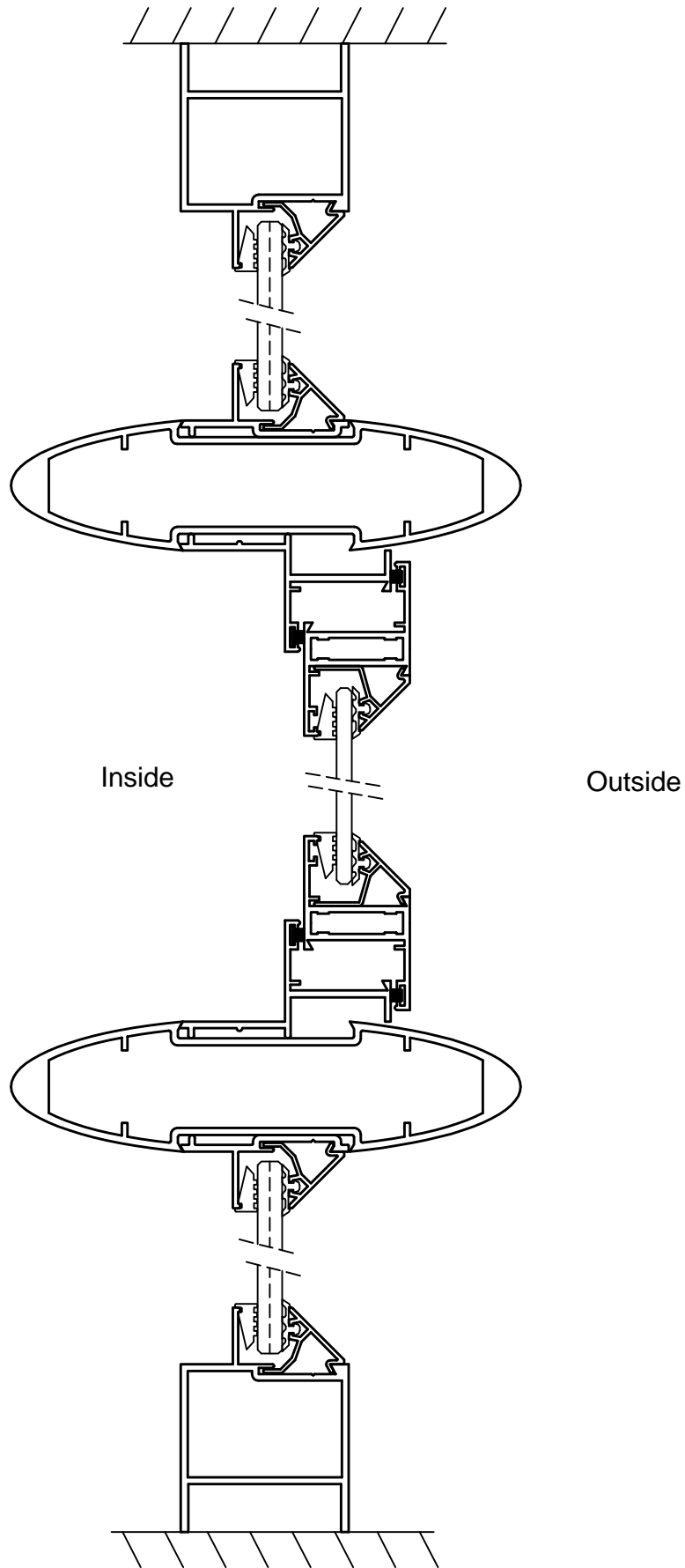
Section A3 - A3



ELLIPTIC SHOPFRONT WITH EMBEDDED
28MM PROJECT OUT WINDOW DETAILS



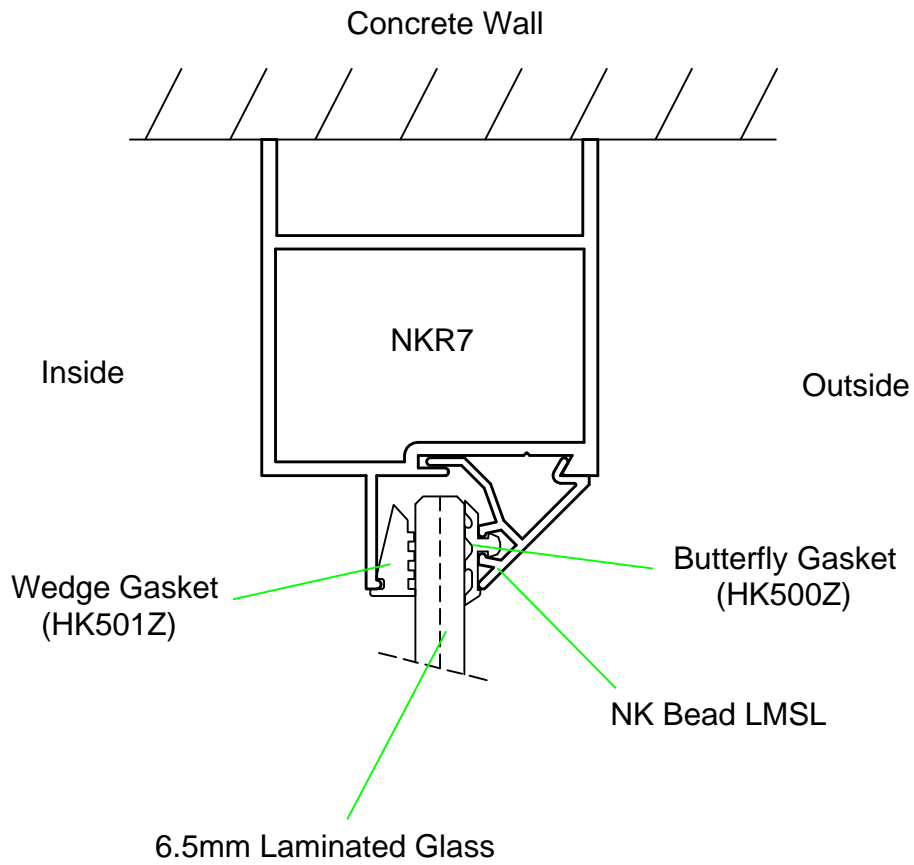
Section B - B



ELLIPTIC SHOPFRONT WITH EMBEDDED 28mm PROJECT OUT WINDOW DETAILS
VERTICAL SECTION



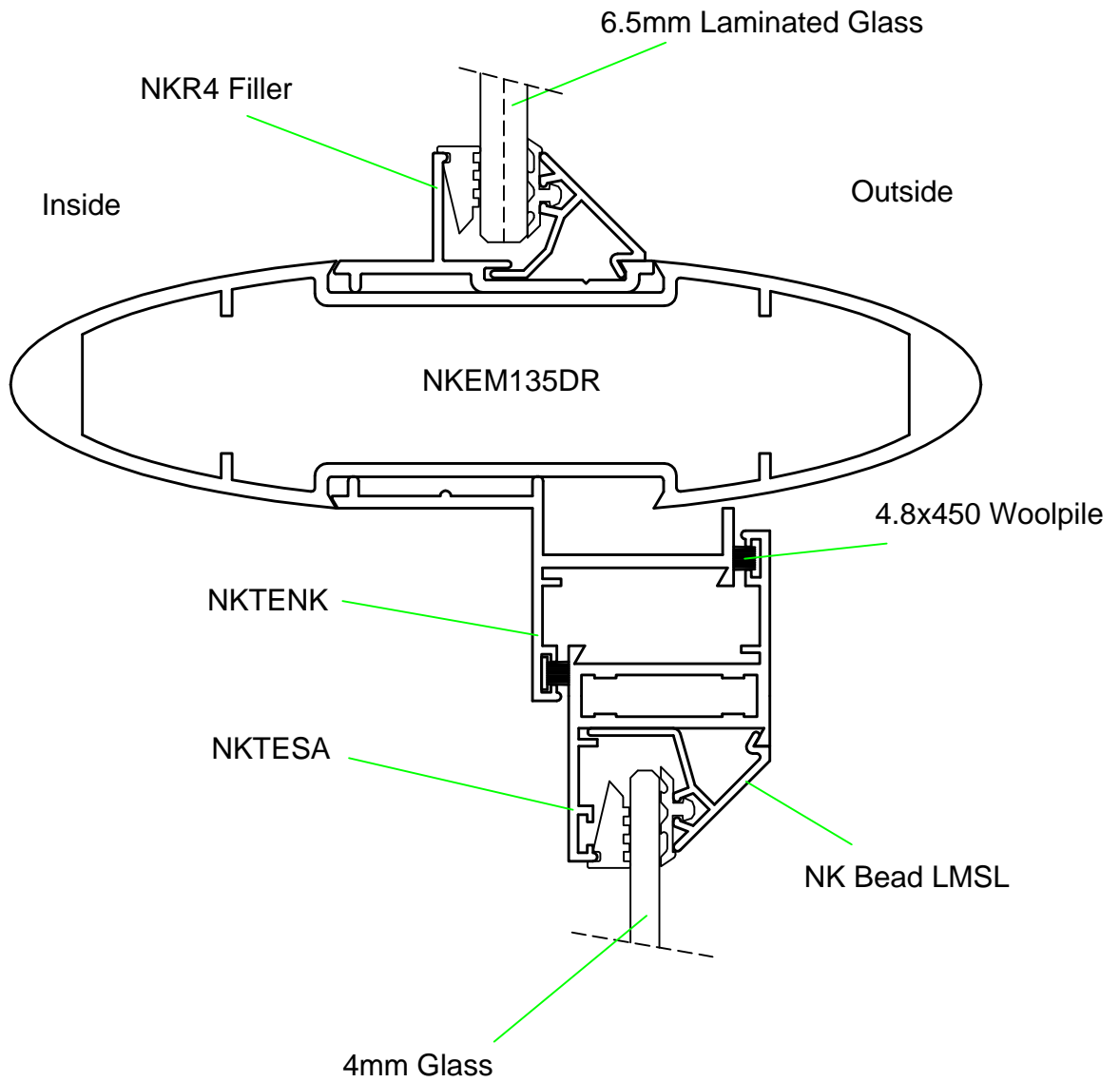
Section B1 - B1



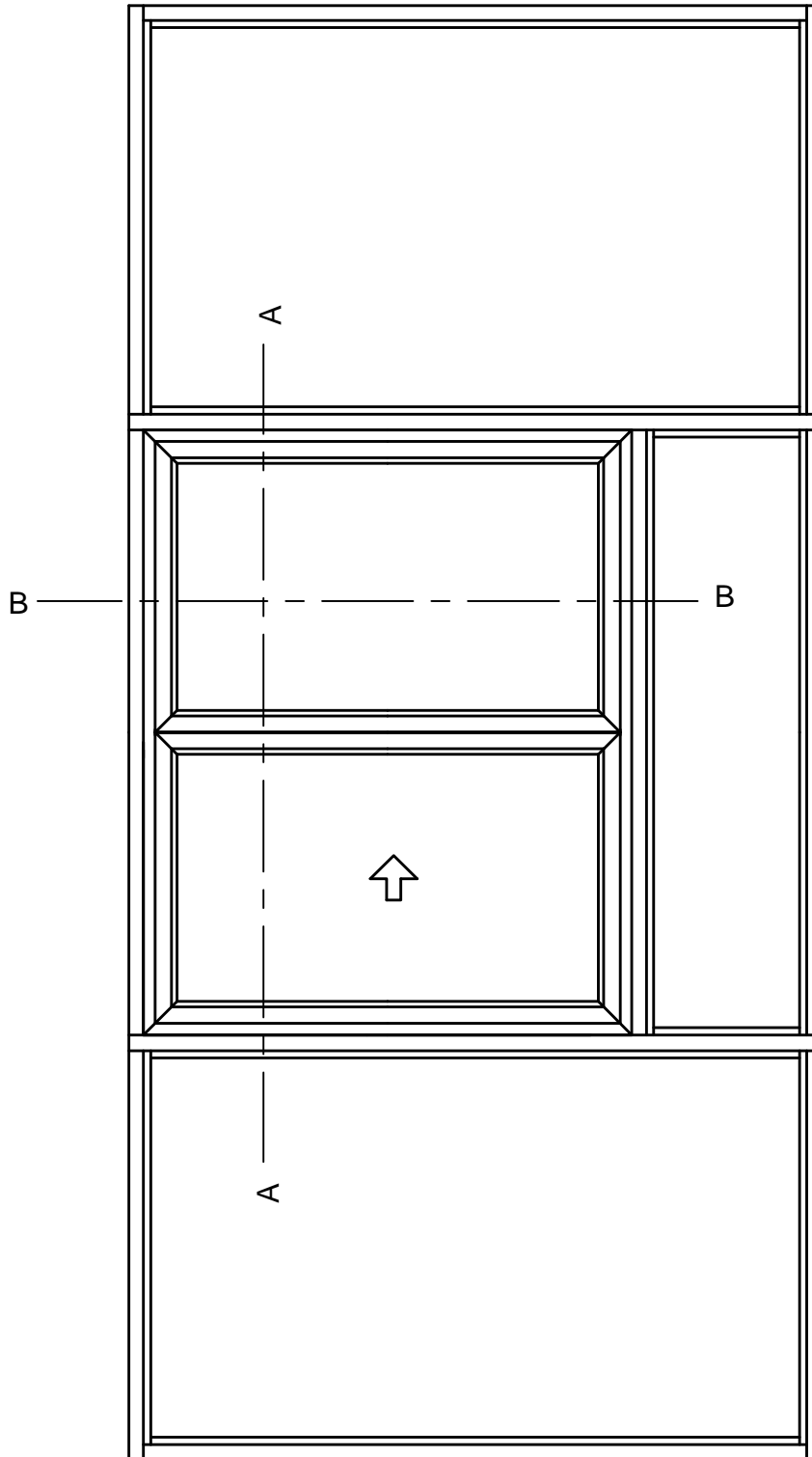
ELLIPTIC SHOPFRONT WITH EMBEDDED
28MM PROJECT OUT WINDOW DETAILS



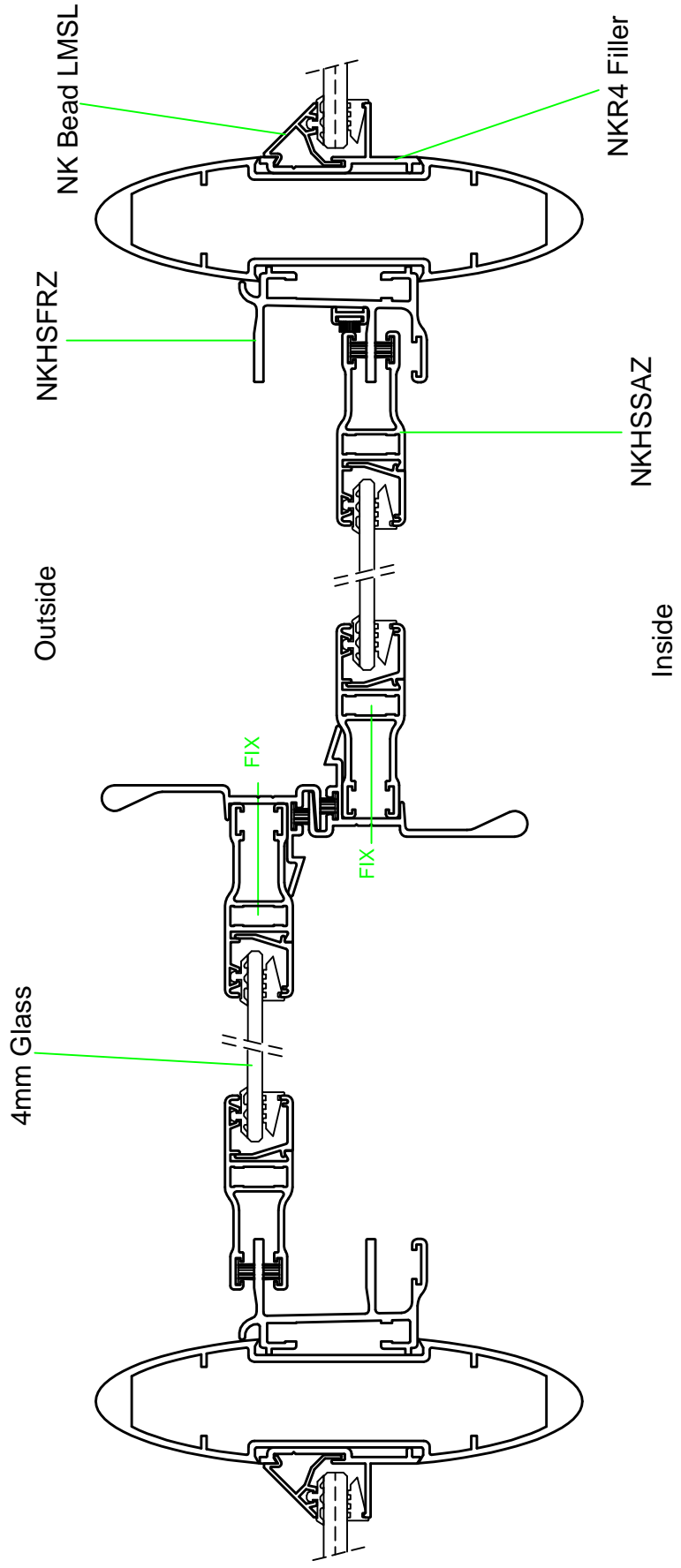
Section B2 - B2



ELLIPTIC SHOPFRONT WITH EMBEDDED
28MM PROJECT OUT WINDOW DETAILS



NUKLIP ELLIPTIC SHOPFRONT WITH EMBEDDED HORIZONTAL SLIDING WINDOW

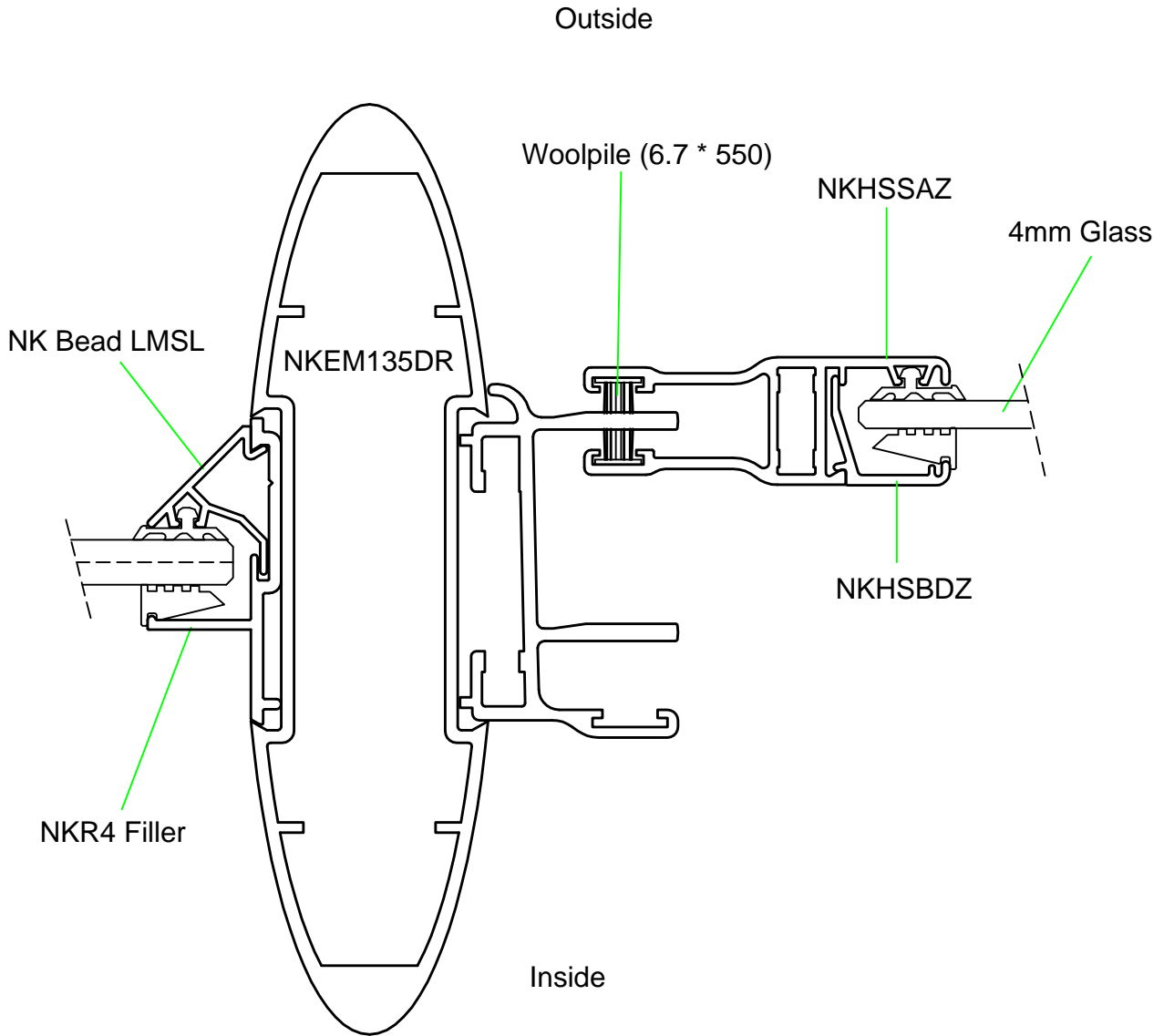


Section A - A

EMBEDDED HORIZONTAL SLIDING WINDOW
HORIZONTAL SECTION



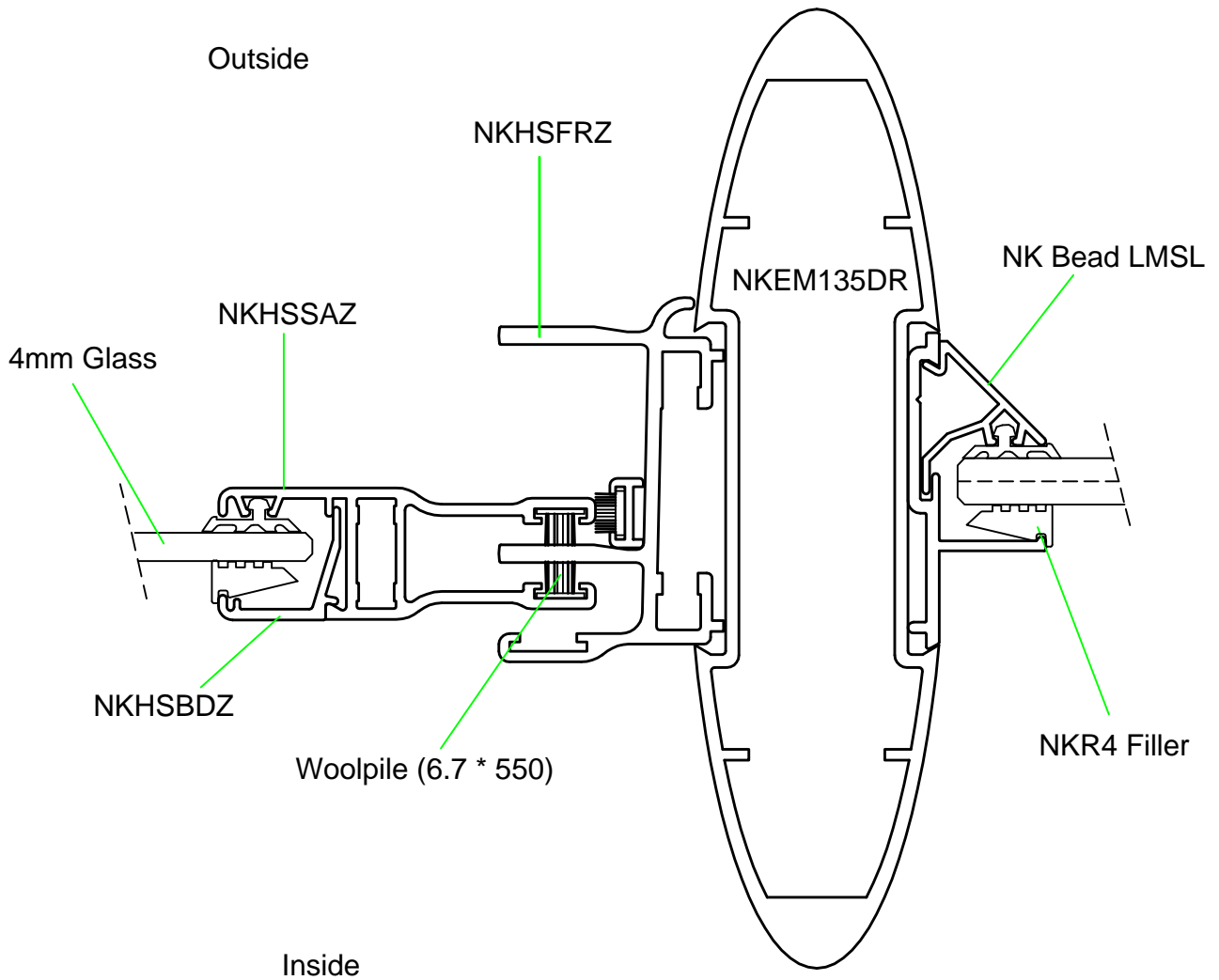
Section A - A



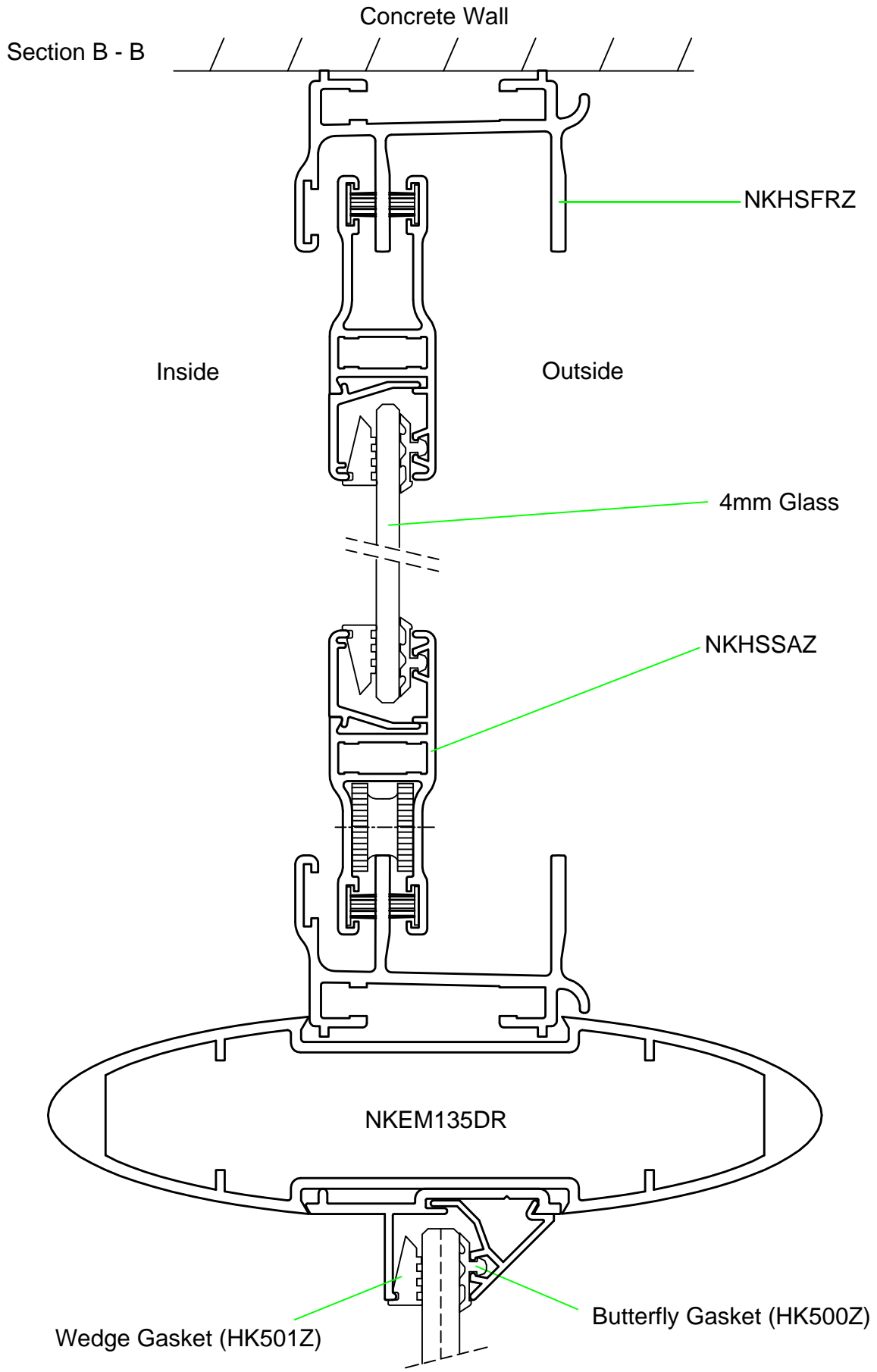
EMBEDDED HORIZONTAL SLIDING WINDOW
HORIZONTAL SECTION



Section A - A



EMBEDDED HORIZONTAL SLIDING WINDOW
HORIZONTAL SECTION



EMBEDDED HORIZONTAL SLIDING WINDOW DETAILS
VERTICAL SECTION WITH NKEM135D TANSOMS

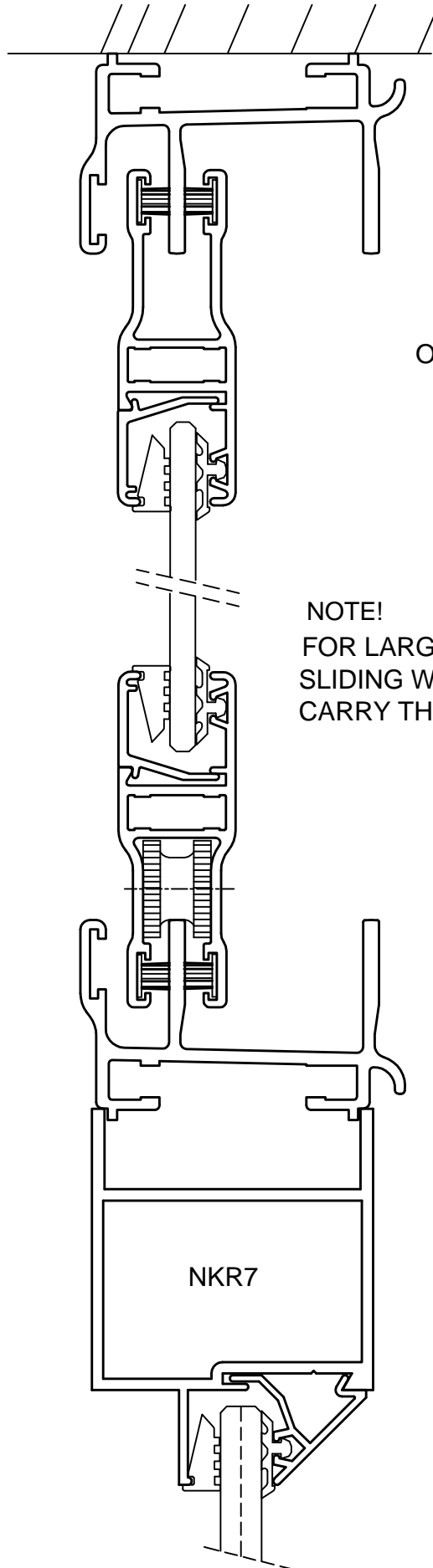


Section B - B

Inside

Outside

Concrete Wall



NOTE!
FOR LARGE WIDTH OX OR OXXO TYPE
SLIDING WINDOW, USE NKR4 OR NKR6
CARRY THE WEIGHT.

NKR7

ALTERNATIVE VERTICAL SECTION WITH NKR7 TRANSOMS