



almin
almin metal industries limited

Superior Aluminium Products

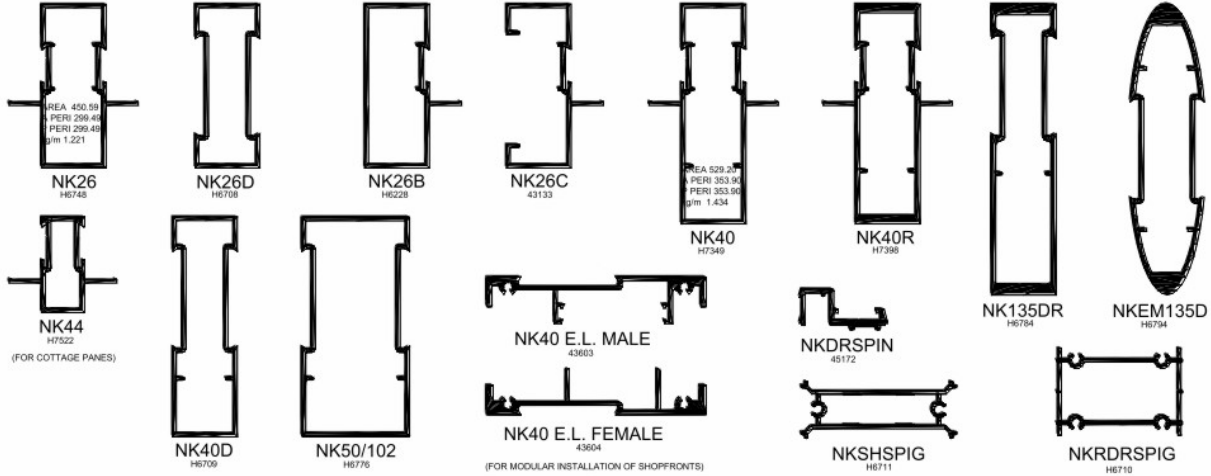
Trusted Since 1969

Nuklip

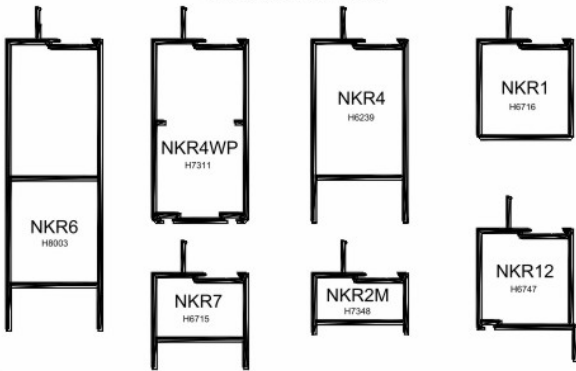
Aluminium & Building
Architectural Systems

Nuklip Assembly Catalogue

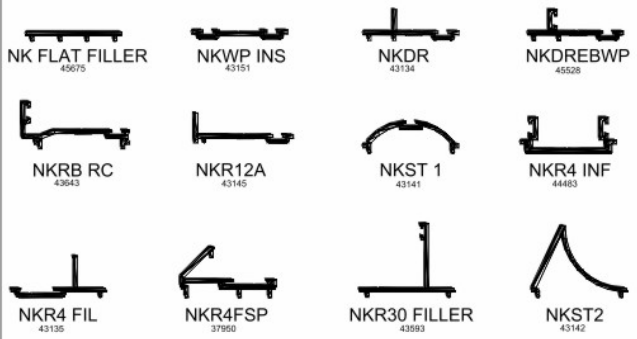
MULLIONS, TRANSOMS AND SPIGOTS



DOOR SECTIONS



SHOPFRONT & DOOR SECTION INSERTS/FILLERS



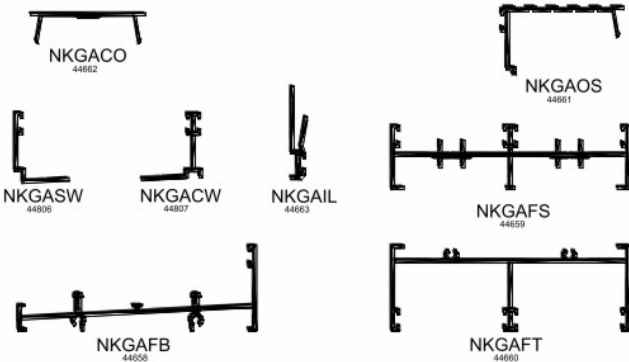
GLAZING BEADS



SHOPFRONT SLIDING DOOR

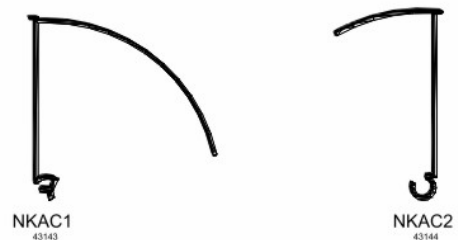


GALAXY SLIDING DOOR



ADJUSTABLE CORNER

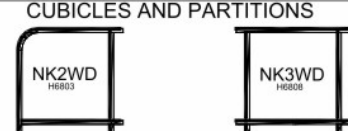
(FOR NK26 SHOPFRONTS)



FLUSH GLAZING



CUBICLES AND PARTITIONS



cumview 442 595